

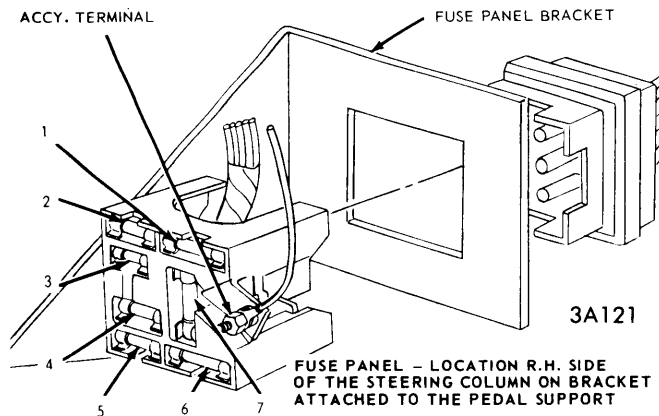
1973 FORD (V8)

MAVERICK CIRCUIT BREAKERS

Horn, Stop, Marker, Parking, Tail & License Lights – 15 amp. circuit breaker integral with lighting switch.

Headlight Circuit – 18 amp. circuit breaker integral with lighting switch.

Windshield Wiper – 6 amp. circuit breaker integral with wiper switch.



MAVERICK FUSE BLOCK

MAVERICK FUSES

- ① – 20 amp. Hazard flasher, cigar lighter, clock feed (console only).
- ② – 14 amp. Courtesy, dome & luggage compartment light, ignition key warning buzzer.
- ③ – 4 amp. Instrument panel & cluster lights, shift quadrant lights, radio, clock & ashtray illumination.
- ④ – 14 amp. Warning lights, throttle positioner and/or emission control solenoid, seat belt buzzer and light.
- ⑤ – 14 amp. Heater & defroster. *NOTE* – 30 amp. required for air conditioning.
- ⑥ – 15 amp. Back-up lights, radio feed, windshield washer.
- ⑦ – 20 amp. Accessory feed, rear window defogger.

MUSTANG CIRCUIT BREAKERS

Headlight Circuit – 12 amp. circuit breaker integral with lighting switch.

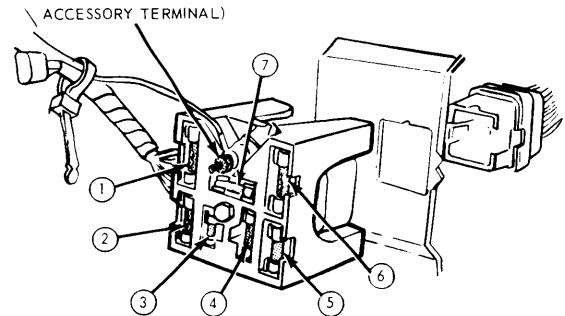
Parking, Marker, License, Tail, & Shift Quadrant Lights, Headlight Warning Relay – 15 amp. circuit breaker integral with lighting switch.

Stop Lights & Emergency Warning System – 15 amp. circuit breaker on relay panel above glove box.

Power Windows, Top, Seats & Seat Back Latch, Engine Compartment Light – 20 amp. circuit breaker on starter relay.

Windshield Wiper – 7 amp. circuit breaker integral with wiper switch.

Window, Seat & Top Motors – Circuit breaker in motors.



FUSE PANEL – LOCATED ON DASH PANEL ABOVE AND LEFT OF BRAKE PEDAL

3A122

MUSTANG FUSE BLOCK

MUSTANG FUSES

- ① – 20 amp. Horns, cigar lighter.
- ② – 14 amp. Courtesy, dome, map, luggage & glove compartment lights, seat belt latch relay, clock feed, ignition key warning, headlight buzzer.
- ③ – 4 amp. Instrument panel, cluster, ash tray & cigar lighter illumination.
- ④ – 14 amp. Warning lights.
- ⑤ – 14 amp. Heater & defroster. *NOTE* – 30 amp. required with air conditioning.
- ⑥ – 15 amp. Back-up lights, radio, windshield washer, turn signal warning system.
- ⑦ – 20 amp. Accessory feed, power window relay and rear window defroster.

TORINO CIRCUIT BREAKERS

Headlight Circuit – 18 amp. circuit breaker integral with lighting switch.

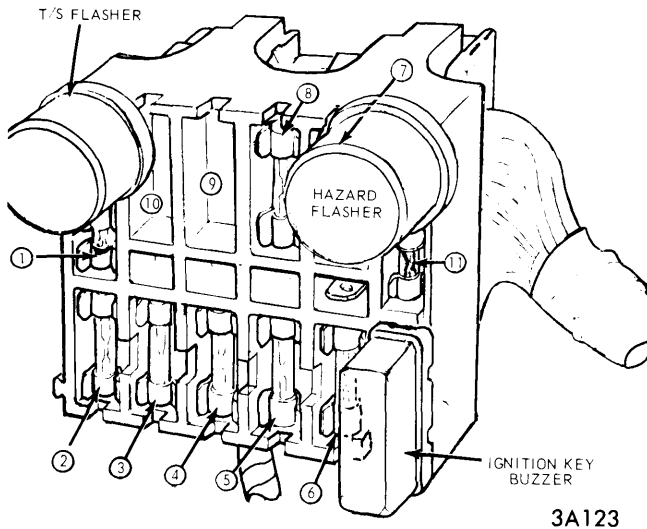
Parking, Rear, License, Marker, Console & Shift Quadrant Lights, Horns and Headlight Warning Relay – 15 amp. circuit breaker integral with lighting switch.

Power Top, Seats, Windows – 20 amp. circuit breaker attached to starter relay.

Windshield Wiper – 7 amp. circuit breaker integral wiper switch.

Power Window & Seat Motors – Circuit breaker in mot.

1973 FORD (V8) (Cont.)



3A123

TORINO FUSE BLOCK

TORINO FUSES

- ① — 4 amp. Instrument panel & control illumination.
- ② — 7.5 amp. Courtesy lights, key warning buzzer & seatback latch.
- ③ — 15 amp. Cigar lighter.
- ④ — 15 amp. Hazard flasher & stop lights.
- ⑤ — 15 amp. Back-up lights & accessory feed.
- ⑥ — 25 amp. Heater & Defroster. *NOTE* — 35 amp. required with air conditioning.
- ⑦ — 15 amp. Radio feed.
- ⑧ — 15 amp. Windshield washer, power window relay, heated rear window relay, throttle positioner & door ajar warning light.
- ⑨ — Blank.
- ⑩ — Blank.
- ⑪ — 4 amp. Seat belt warning buzzer, emission control solenoid, warning light cluster.

THUNDERBIRD CIRCUIT BREAKERS

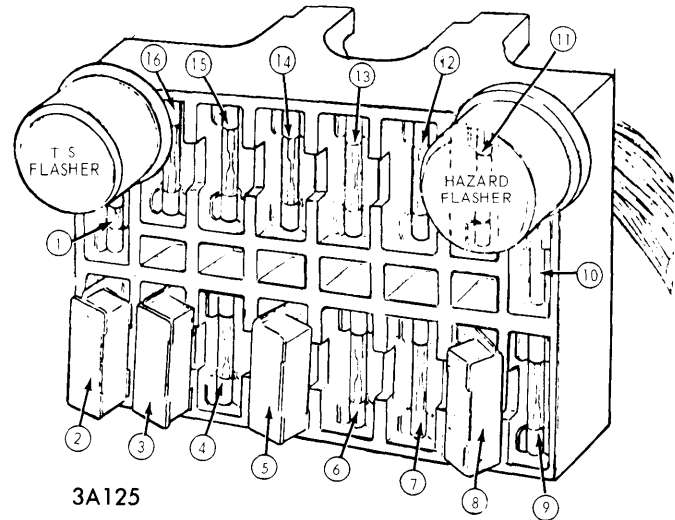
Headlight Circuit — 20 amp. circuit breaker integral with lighting switch.

Parking, License, Tail & Marker Lights, Headlight Warning Relay and Key Warning Buzzer — 20 amp. circuit breaker integral with lighting switch.

Windshield Wiper — 8.25 amp. circuit breaker integral with wiper switch.

Deck Lid Release — 6 amp. circuit breaker attached to center vertical reinforcement of instrument panel.

Power Seat & Window Motors — Integral circuit breaker in motors.



3A125

THUNDERBIRD FUSE BLOCK

THUNDERBIRD FUSE BLOCK

- ① — 6 amp. Instrument & control lights.
- ② — 35 amp. circuit breaker. Heater, defroster & air conditioner.
- ③ — 20 amp. circuit breaker. Power windows.
- ④ — 15 amp. Courtesy, glove box, luggage compartment & console lights, clock feed, seatback latch & ignition key warning buzzer.
- ⑤ — 30 amp. circuit breaker. Power seats, power latch & horns.
- ⑥ — 30 amp. Rear window defroster.
- ⑦ — 20 amp. Cigar lighter (doors).
- ⑧ — 20 amp. circuit breaker. Stop lights, hazard warning system & electric deck lid.
- ⑨ — 20 amp. Cigar lighter (instrument panel) & power door locks.
- ⑩ — 3 amp. Sure track brake system.
- ⑪ — 7.5 amp. Warning lights & ESC (Calif. only).
- ⑫ — 15 amp. Back-up & cornering lights.
- ⑬ — 15 amp. Radio & power antenna.
- ⑭ — Blank.
- ⑮ — 7.5 amp. Windshield washer & speed control.
- ⑯ — 7.5 amp. Power window safety relay.

FORD & METEOR CIRCUIT BREAKERS

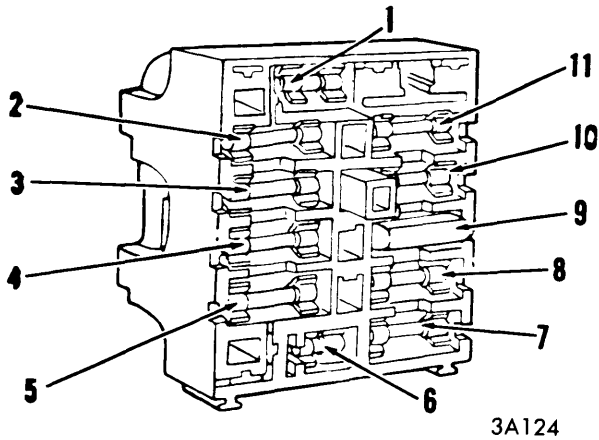
Headlight Circuit — 18 amp. circuit breaker integral with lighting switch.

Tail, Park, License & Marker Lights, Horns and Relay — 15 amp. circuit breaker integral with ligh ch.

Power Windows, Seats & Seat Back Latch - np. circuit breaker attached to starter relay.

Deck Lid Release — 6 amp. circuit breaker local wer flange of instrument panel.

1973 FORD (V8) (Cont.)



FORD & METEOR FUSE BLOCK

- ① - 7.5 amp. Warning lights.
- ② - 15 amp. Cigar lighter.
- ③ - 15 amp. Hazard flasher & stop lights.
- ④ - 15 amp. Courtesy lights, clock feed, door lock solenoid, key warning buzzer & seat back latch relay.
- ⑤ - Blank.
- ⑥ - 4 amp. Instrument & control illumination.
- ⑦ - 15 amp. Back-up lights & throttle positioner.
- ⑧ - 15 amp. Heater & Defroster. *NOTE - 30 amp. circuit breaker is used with air conditioning.*
- ⑨ - 8.25 amp. circuit breaker. Windshield Wiper System.
- ⑩ - 20 amp. Windshield washer, rear window defogger, power window safety relay, police accessory relay, cornering lights, intrusion alarm & speed control relay.
- ⑪ - 7.5 amp. Radio feed.

FORD & METEOR FUSE BLOCK