

1973 BUICK

FUSE BLOCK

A central fuse block is mounted on cowl under left side of instrument panel.

FUSIBLE LINKS

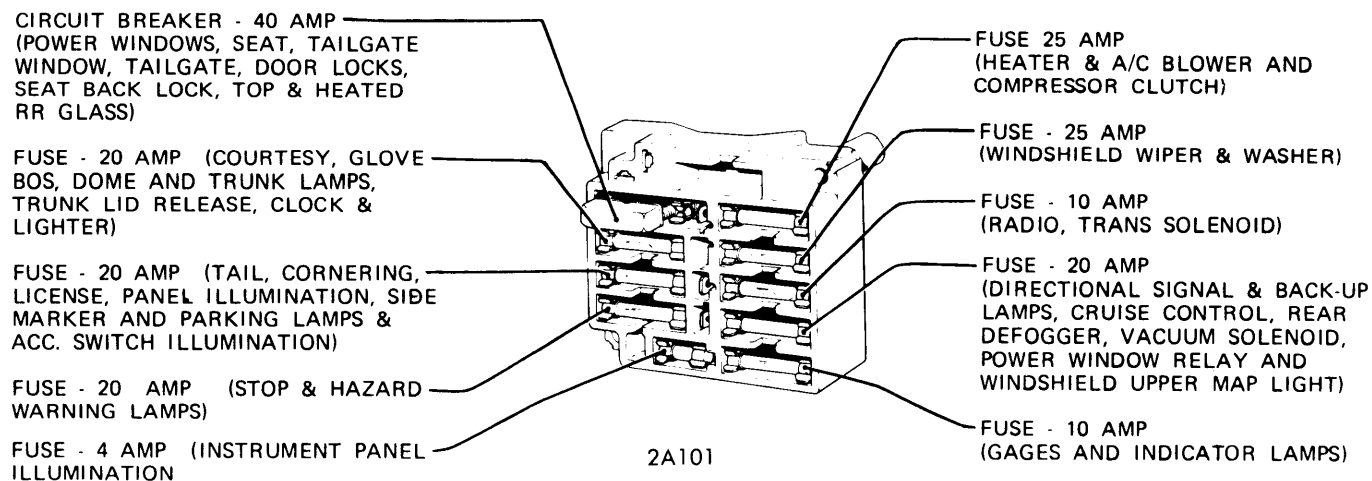
All models have two fusible links connected to starting motor post. One fusible link is in No. 12 wire circuit and supplies

headlights only. The other link, in No. 10 red wire circuit supplies all other electrical units.

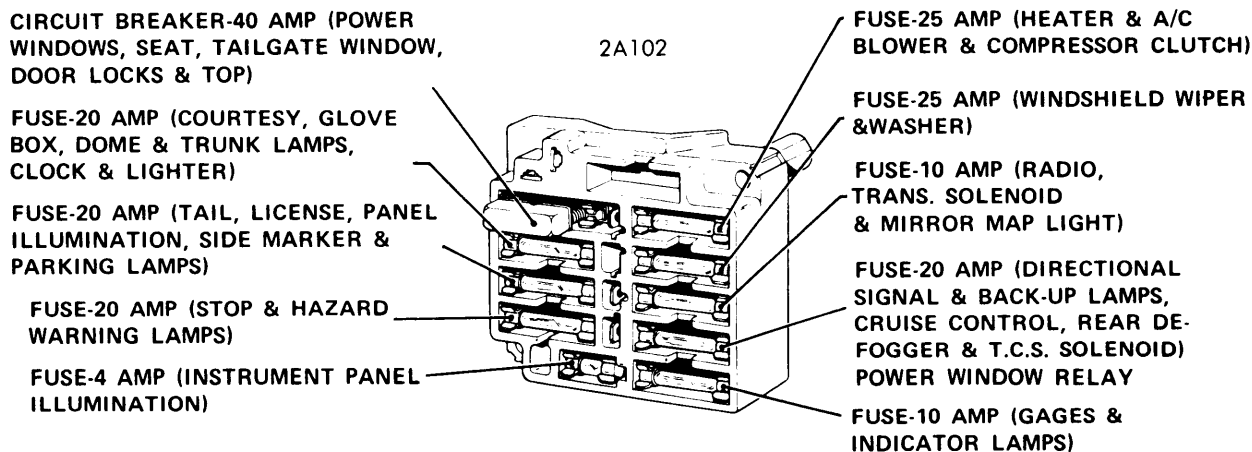
CIRCUIT BREAKERS

Power Windows, Seats, Tailgate, Locks, Top & Heated Glass — 40 ampere circuit breaker located on fuse block.

Headlights — Thermo circuit breaker (bi-metal blade and contact points) connected in series with lighting circuit.



FUSE BLOCK (UPPER SERIES)



FUSE BLOCK (LOWER SERIES)