

GENERAL MOTORS SINGLE PISTON DISC

Chevette & T1000

DESCRIPTION

Caliper unit is constructed from a single casting which contains one large piston in inboard section of casting. Piston is constructed of nickle-chrome plated steel. Caliper unit is retained to mounting bracket by a single bolt, sleeve and bushings. Mounting bracket is bolted to rear side of steering knuckle. Brake rotor and hub are one piece. Brake rotor is cast iron using two machined braking surfaces (one on each side of rotor). Shoe and lining assemblies are constructed of stamped steel shoes with bonded linings. Inboard shoe is equipped with a spring steel wear sensor riveted to rear edge. When lining has worn to within .030" of shoe table, sensor contacts rotor, causing a very audible high frequency squeal.

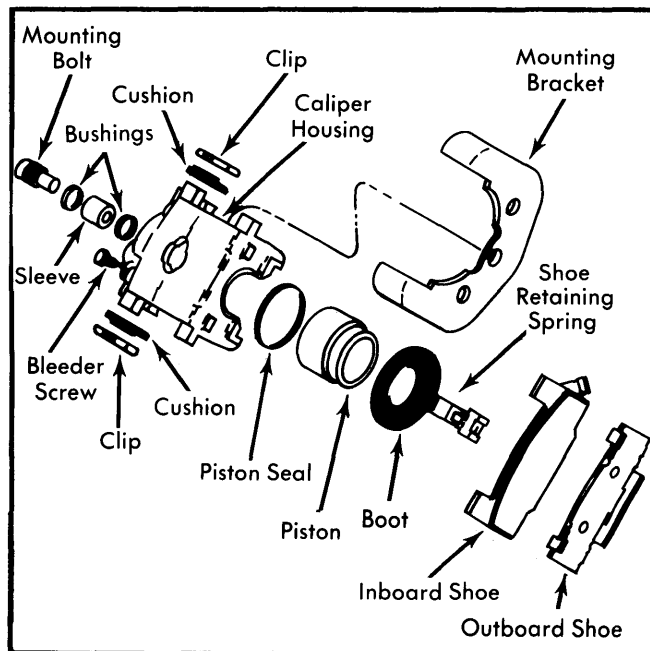


Fig. 1 Exploded View of Caliper Assembly

ADJUSTMENT

Shoe wear is automatically compensated for by sliding caliper feature, therefore, no brake adjustment in service is required.

SERVICING

BLEEDING

See Hydraulic Brake bleeding in this section.

SHOE & LINING INSPECTION

Inspect linings whenever a wheel is removed or tires are rotated. Check both ends of inboard and outboard linings for

wear. Replace all linings if any lining is worn to within $\frac{1}{32}$ " of shoe table.

SHOE & LINING REPLACEMENT

NOTE — Relining should be done in complete sets only.

Removal — 1) Siphon and discard $\frac{2}{3}$ of master cylinder fluid. Raise vehicle and remove front wheels. Position a large "C" clamp on caliper housing and outboard shoe and compress piston. Remove clamp.

2) Remove 2 hex-head bolts attaching mounting brackets to steering knuckle. DO NOT remove socket head retaining bolt. Remove caliper assembly from rotor and wire out of way. Remove old shoe and lining assemblies and retaining spring.

Installation — 1) Clean and inspect caliper assembly. Check for hydraulic leaks, boot cuts or other damage. Ensure that caliper fits snugly in bracket without end play. If end play exists, replace mounting bolt, bushings, sleeve and clips.

2) Install retaining spring on inboard shoe as shown in Fig. 2. Install inboard and outboard shoe and lining assemblies into caliper. Check outboard shoe and lining for radial and end play. If play exists, remove shoe from caliper and bend shoe tabs as necessary to eliminate play. Reinstall shoe in caliper.

3) Position caliper and mounting bracket on rotor and install and tighten bracket attaching bolts. Install wheels and lower vehicle. Fill master cylinder to proper level with clean brake fluid. Pump brake pedal several times to position shoes against rotor.

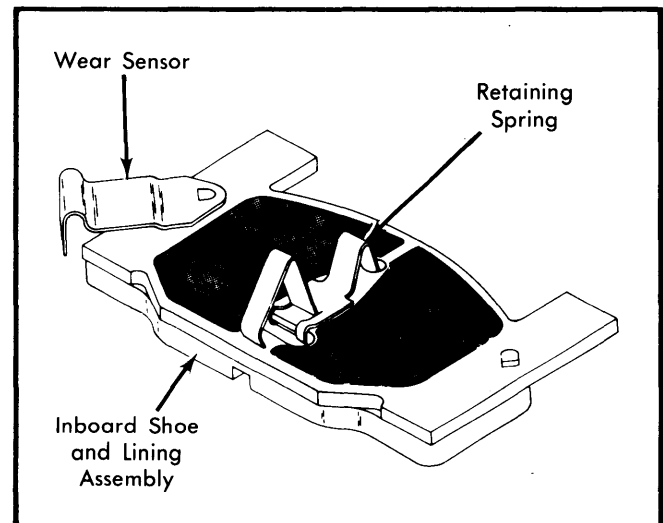


Fig. 2 View of Inboard Shoe and Lining Showing Correct Retaining Spring Installation

ROTOR SERVICING

Lateral Runout — Adjust wheel bearings until all end play is eliminated. Attach a dial indicator to front suspension so that pointer contacts face of rotor approximately one inch from edge of rotor. Set gauge to zero, then turn rotor through one complete revolution noting gauge. See Rotor Specifications for maximum allowable runout.

GENERAL MOTORS SINGLE PISTON DISC (Cont.)

Parallelism – Check thickness of rotor at 4 or more points around circumference of rotor. Make all measurements at same distance from edge of rotor. If thickness varies more than specified, refinish or replace rotor as necessary. See *Rotor Specifications for refinish thickness.*

REMOVAL & INSTALLATION

BRAKE CALIPER

Removal of caliper for overhaul is same procedure as for lining replacement, except it is necessary to disconnect brake hose.

HUB & ROTOR

Removal – 1) Raise and support front of vehicle. Remove wheel and tire assembly. Remove caliper assembly and suspend out of the way to prevent damage to hydraulic hose.

2) Remove hub grease cap, cotter pin, spindle nut and washer. Remove outer wheel bearing, then slide hub and rotor assembly from spindle.

Installation – To install, reverse removal procedure and adjust wheel bearings. See Wheel Bearing Adjustment in SUSPENSION Section.

OVERHAUL

BRAKE CALIPER

Disassembly – Clean exterior of caliper using clean brake fluid and place on a clean working surface, then drain brake fluid from caliper. Remove socket head retainer bolt and slide mounting bracket off caliper. Remove sleeve and two bushings. Separate clips and cushions from sides of caliper. Pad interior of caliper with shop towels and apply just enough compressed air to fluid inlet to ease piston out of bore. Remove boot from caliper with a screwdriver, then pry out piston seal using a piece of plastic or wood. DO NOT scratch piston bore by using metal tool. Remove bleeder valve from caliper.

Cleaning and Inspection – 1) Boot, piston seal, rubber bushings and sleeve must be replaced each time caliper is overhauled. Clean all other parts in clean brake fluid and dry with filtered compressed air. Check retainer bolt for corrosion, breaks in plating or other damage. Replace if imperfections are found; do not clean.

2) Check outside of piston for scoring, nicks, corrosion or damaged plating. Replace if necessary. Do not use any type of abrasive as plating will be damaged. Check piston bore for scratches or wear and polish with crocus cloth if necessary. Clean bore thoroughly after polishing. Replace caliper if bore is not easily cleaned.

Reassembly – 1) Lubricate bore in caliper and new piston seal with clean brake fluid. Position seal in caliper bore groove. Lubricate piston with clean brake fluid, then assemble new boot into groove in piston, with fold facing open end of piston. Insert piston into caliper bore using care not to unsat seal and force piston to bottom of bore. Position outer diameter of boot in caliper counterbore, then seat boot using suitable tool (J-29381).

2) Check boot installation to make sure retaining ring moulded into boot is not bent and that boot is installed completely below caliper face. Install bleeder screw. Place new cushions on caliper lugs with heavy section in lug recess and saw-toothed edges pointing outward. Liberally coat sleeve, bushings and unthreaded portion of retainer bolt with silicone grease. Place larger bushing in caliper mounting hole groove and install sleeve. Install small bushing in retainer bolt groove.

3) Clamp caliper in a vise with mounting lug up. Place clips over cushions and squeeze mounting bracket down over clips, aligning retainer bolt hole. Considerable force may be required to fit bracket over cushions. Install and tighten retainer bolt.

4) Install caliper on vehicle. Use new copper gasket when attaching brake hose. Bleed brake system and fill master cylinder. Lower vehicle.

TIGHTENING SPECIFICATIONS

Application	Ft. Lbs. (N·m)
Brake Hose-to-Caliper	32 (44)
Caliper-to-Mounting Bracket	28 (38)
Bracket-to-Steering Knuckle	70 (95)
Application	INCH Lbs. (N·m)
Bleeder Screw	100 (11)

DISC BRAKE ROTOR SPECIFICATIONS

Application	Disc Diameter	Lateral Runout	Parallelism	Original Thickness	Minimum Refinish Thickness	Discard Thickness
Chevette	9.68"	.005"	.0005"	.441"	.390"	.374"