

# Rear Suspension

## CITATION, OMEGA, PHOENIX & SKYLARK

### DESCRIPTION

The rear suspension consists of a rear axle assembly, 2 coil springs, 2 shock absorbers and a track bar. The 2 control arms are welded to the axle housing and are used to mount the axle assembly to the body. The 2 coil springs support the weight of the vehicle in the rear. Each spring is retained between a seat in the underbody and a seat welded to the rear axle housing. The shock absorbers are mounted at the bottom with a bolt and nut to brackets welded to the axle housing, and at the top to the reinforced body area with a nut. A single unit hub and bearing assembly is bolted to both ends of the rear axle assembly. This hub and bearing assembly is a sealed unit and the bearing is not replaceable as a separate unit.

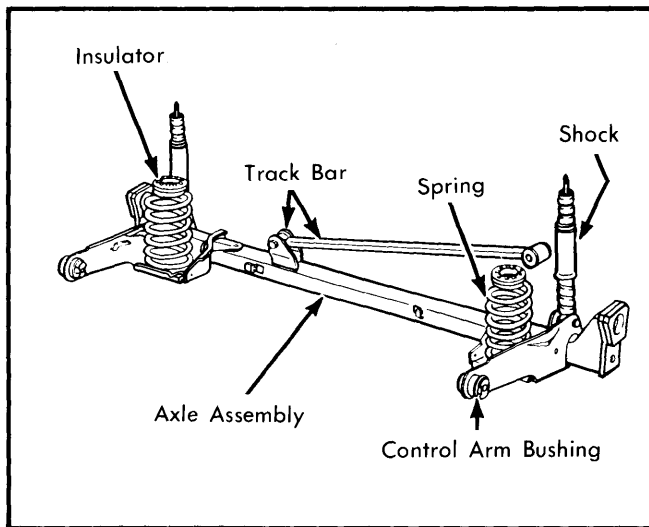


Fig. 1 Rear Axle Assembly

### ADJUSTMENT

#### RIDING HEIGHT

See *Riding Height Adjustments and Specifications* in WHEEL ALIGNMENT Section.

### REMOVAL & INSTALLATION

#### SHOCK ABSORBERS

Open deck lid, remove trim cover and remove upper shock attaching nut. Raise vehicle and support rear axle assembly. Remove lower attaching bolt and nut and remove shock. To install, reverse removal procedure.

#### COIL SPRING

Raise vehicle, support rear axle with adjustable lifting device. Remove right and left brake line bracket attaching screws from

frame and allow brake line to hang freely. Disconnect track bar, disconnect both shock absorbers. Lower rear axle assembly and remove springs and insulators. To install, reverse removal procedure.

#### TRACK BAR

Raise vehicle and support rear axle. Remove bolt at body end of bar, then remove bolt at axle end of bar. Remove track bar. To install, reverse removal procedure.

#### LOWER CONTROL ARM

Lower control arm is an integral part of axle assembly and cannot be replaced separately.

#### BUSHING REPLACEMENT

Using suitable tools (J-28685-2, J-9519-10 & J-28685-1) remove old bushing by turning bolt. See Fig. 2. Press new bushing into control arm using suitable tools (J-28685-2, J-9519-10 and J-9519-16).

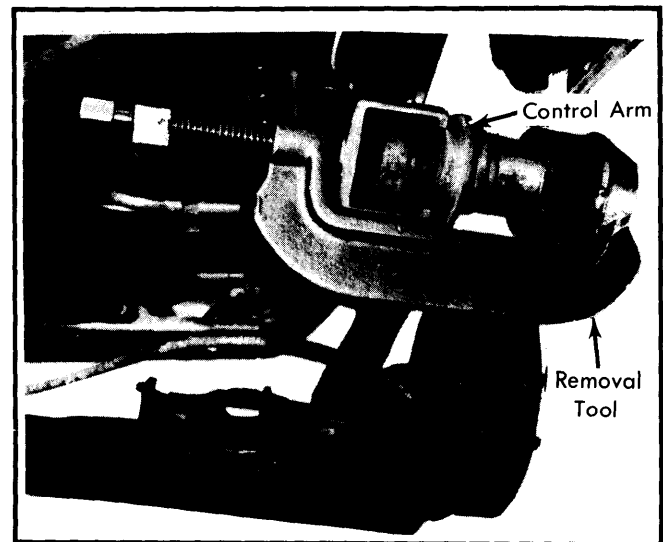


Fig. 2 Control Arm Bushing Removal

### TIGHTENING SPECIFICATIONS

Application	Ft. Lbs.
Shock Absorber	
Upper End .....	7
Lower End .....	35
Track Bar .....	33
Brake Line Bracket .....	8
Lower Control Arm-to-Bracket .....	52
Lower Control Arm Bracket-to-Underbody .....	28