

GENERAL MOTORS (Cont.)

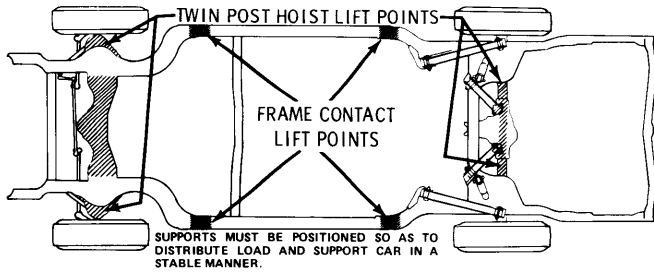


Fig. 18 Cutlass, 88 and 98 Lifting Points

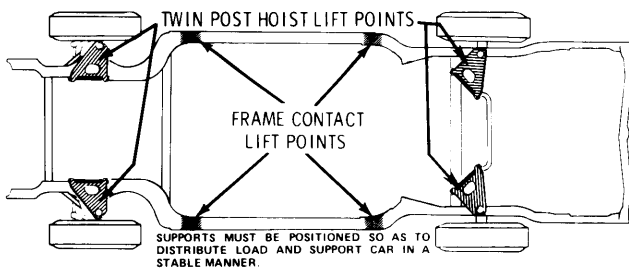


Fig. 19 Toronado Lifting Points

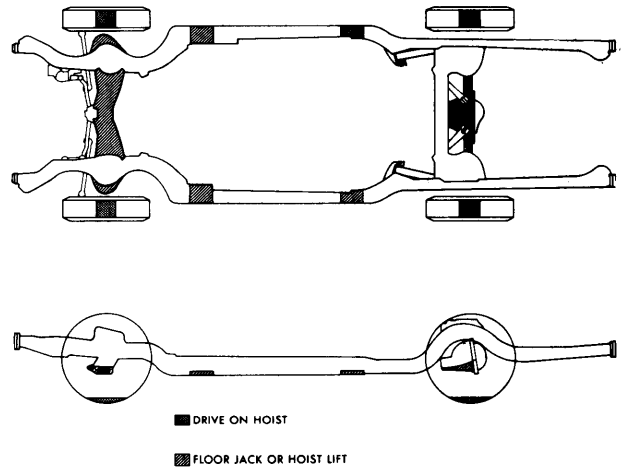


Fig. 21 Bonneville and Catalina Lifting Points

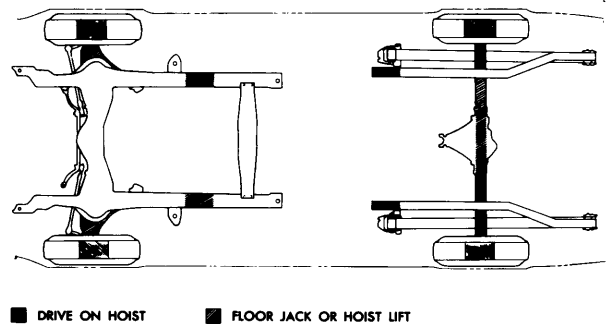


Fig. 22 Firebird Lifting Points

PONTIAC

Hoisting — Ensure that no part of vehicle contacts hoist except as shown in following illustrations. Use adapters to avoid contact with catalytic converter and exhaust system components.

Jacking — Floor jack may be used to lift vehicle at shaded areas indicated on diagrams. Use of bumper jack to raise vehicle is not recommended.

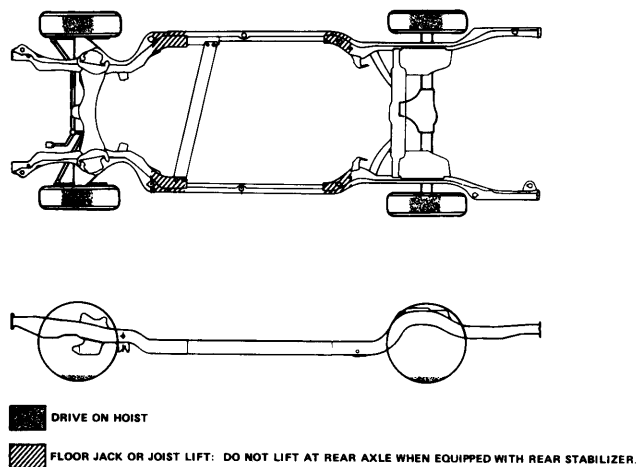


Fig. 20 Grand Prix and LeMans Lifting Points

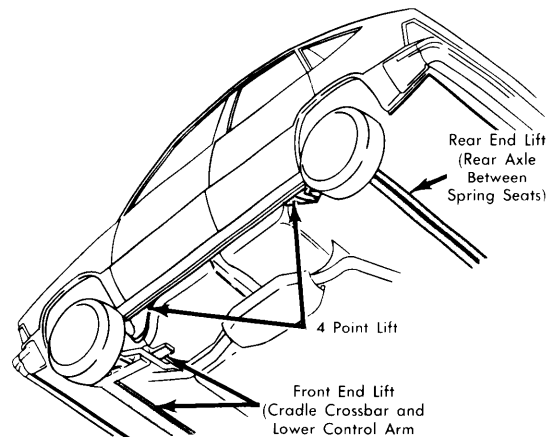


Fig. 23 Phoenix Lifting Points