

MONZA, SKYHAWK, STARFIRE & SUNBIRD

Buick Skyhawk
Chevrolet Monza
Oldsmobile Starfire
Pontiac Sunbird

DESCRIPTION

The rear suspension is link type with coil springs. System uses two lower control arms and one large upper control arm (torque arm), rigidly mounted to differential housing at rear and to transmission, through rubber bushings, at front. In addition, a track rod, mounted between axle tube and body, and a stabilizer bar (optional on some models) is used in the rear suspension. The two coil spring and shock absorbers are mounted between body and rear axle in a conventional manner.

ADJUSTMENT

RIDING HEIGHT

See *Riding Height Adjustments and Specifications* in **WHEEL ALIGNMENT** Section.

REMOVAL & INSTALLATION

SHOCK ABSORBER

Raise vehicle, support rear axle. Remove upper attaching bolts and lower attaching bolt and nut. Remove shock absorber. To install, reverse removal procedure.

COIL SPRING

Raise vehicle, support rear axle with adjustable lifting device. Disconnect shock absorber lower brackets, stabilizer bar (if equipped), lower axle and remove springs with insulators. To install, reverse removal procedure.

UPPER CONTROL ARM (TORQUE ARM)

Raise vehicle, support rear axle. Disconnect mounting bracket from transmission. Remove through-bolt and separate bracket from torque arm. Remove torque arm attaching bolts at differential housing and remove arm. To install, reverse removal procedure. **NOTE** — When tightening pivot bolts, car must be at riding height.

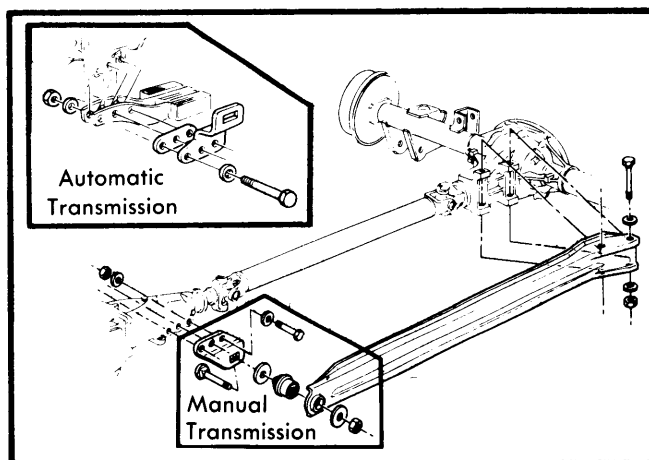


Fig. 2 Upper Control Arm Installation

LOWER CONTROL ARM

Disconnect stabilizer bar. With axle housing and frame supported, remove lower control arm rear bracket bolt. If necessary, remove track rod and tap out bolt with a brass drift. Remove lower control arm front bracket nut and bolt. It may be necessary to tap out bolt with a brass drift. Remove lower control arm. To install, reverse removal procedure. **NOTE** — When tightening pivot bolts, car must be at riding height. Also, when removing and replacing both lower control arms, one side should be completed before opposite side is started, to hold axle in proper location.

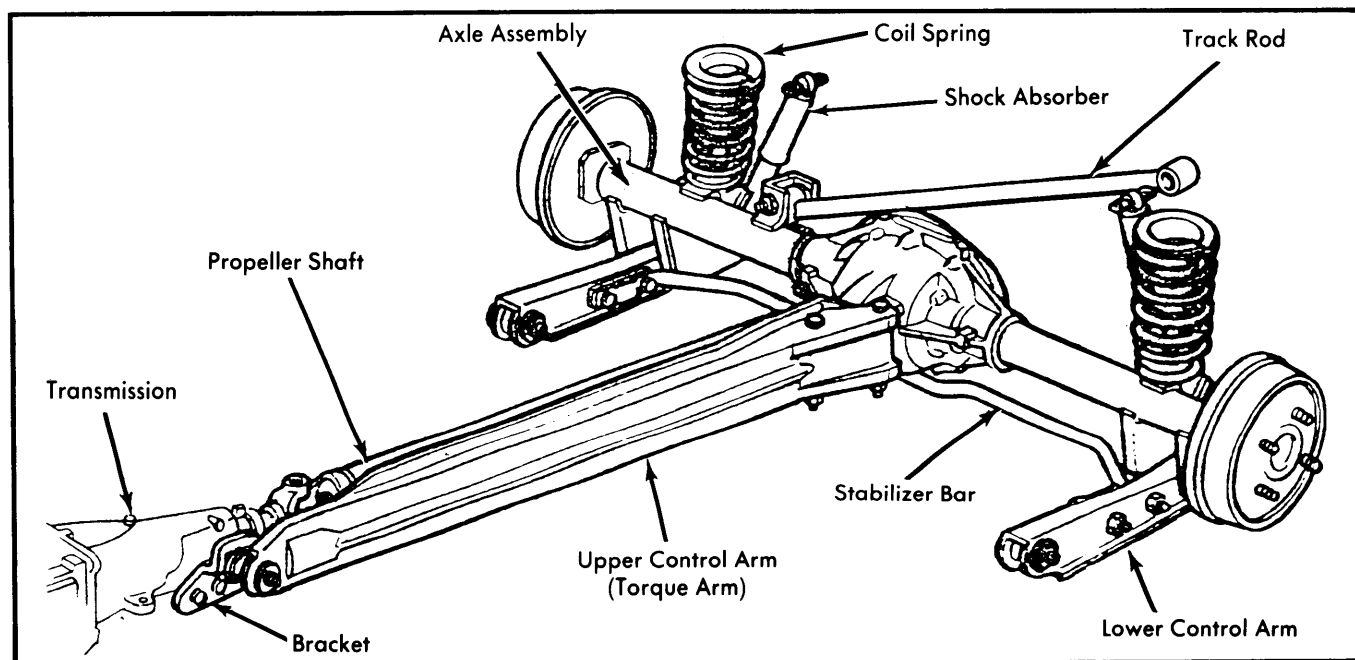


Fig. 1 View of Rear Suspension Assembly

Rear Suspension

MONZA, SKYHAWK, STARFIRE & SUNBIRD (Cont.)

BUSHING REPLACEMENT

Upper Control Arm — Using suitable tools (J-25317-2 & J-21465-17) and a press, press out old bushing. Place new bushing into position and align any two open spaces in bushing with long axis of upper control arm. Press bushing into arm using suitable tools (J-25317-1 & J-25317-2).

Lower Control Arm — Using tools J-21465-8, J-23737 & J-25317-2, press out old bushing. To install, place small end of bushing in largest hole. Turn tool J-21474-2 upside down on bushing flange. Press bushing into control arm until bushing flange seats on control arm.

TRACK ROD

Raise vehicle and support rear axle. Remove bolt at body end of rod, then remove bolt at axle bracket. Remove track rod. To install, reverse removal procedure.

STABILIZER BAR

Raise vehicle and remove bolts securing bar to control arms. Remove stabilizer bar. To install, reverse removal procedure.

TIGHTENING SPECIFICATIONS

Application	Ft. Lbs.
Upper Control Arm	
Bracket-to-Transmission	
Skyhawk	49
All Others	25-35
Bracket-to-Control Arm	
All Models	45-55
Control Arm-to-Axle Housing	
Starfire	80
All Others	95-135
Track Rod Bolts	
All Models	70-95
Lower Control Arm Bolts	
All Models	70-90
Shock Absorber Mounts	
Upper	14-22
Lower	42-45
Stabilizer Bar Mounts	45-60