

## FORD MOTOR CO. (Cont.)

### FORD FRAME CONTACT CHART

1980 Measurement For Frame Contact Points (In.)				
Model	A	B	C	D
Bobcat	17.5	75.0	12.0	24
Capri	17.5	75.0	12.0	24
Cougar	22.0	96.3	25.0	27.5
Mark VI	21.5	97.5	23.0	25.0
Fairmont	20.7	82.5	15.8	17.4
Ford	21.5	97.5	23.0	25.0
Granada	21.5	83.5	26.4	26.4
Lincoln Continental	21.5	100.5	23.0	25.0
Mercury	21.5	97.5	23.0	25.0
Monarch	21.5	83.5	26.4	26.4
Mustang	17.5	75.0	12.0	24.0
Pinto	17.5	75.0	12.0	24.0
Thunderbird	22.0	96.3	25.0	27.5
Versailles	21.5	83.5	26.4	26.4
Zephyr	20.7	82.5	15.8	17.4

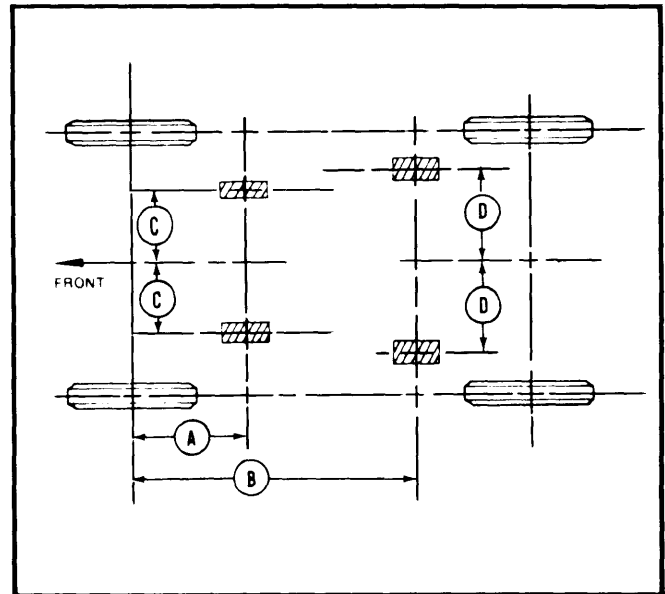


Fig. 4 Ford Motor Co. Frame Contact Points

## GENERAL MOTORS

### BUICK

**Axle Contact Hoist** – Hoist should contact front lower control arms or front crossmember, and rear axle as shown in illustrations.

**Frame Contact Hoist** – Proper adapters must contact vehicle in areas shown in illustrations. Adapters must be positioned to distribute load and support vehicle in a stable manner. Do not allow lift pads to contact catalytic converter or other exhaust system components.

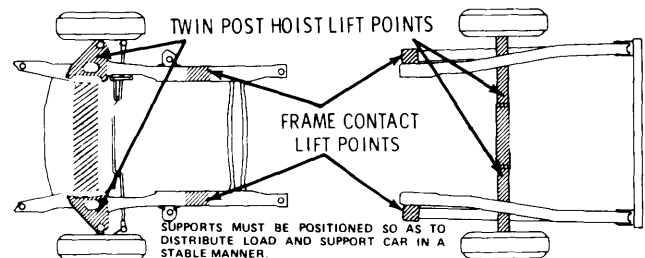


Fig. 6 Buick Skylark Lifting Points

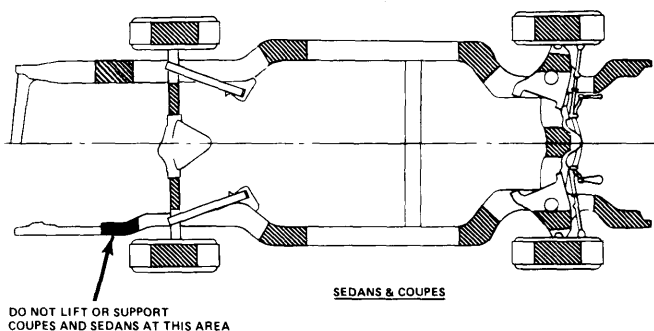


Fig. 5 Buick Lifting Points (Except Skyhawk, Skylark & Riviera)

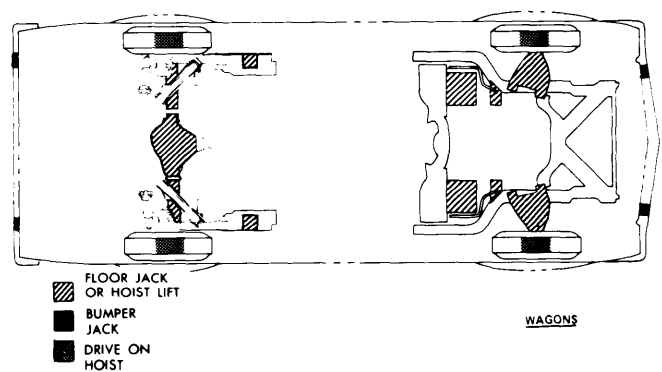
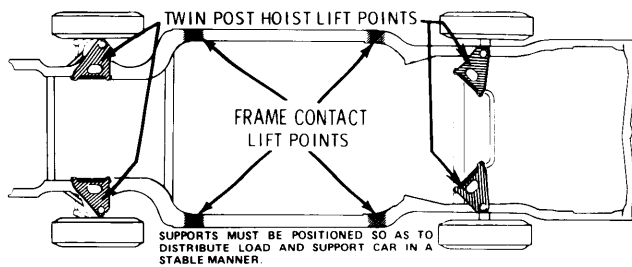
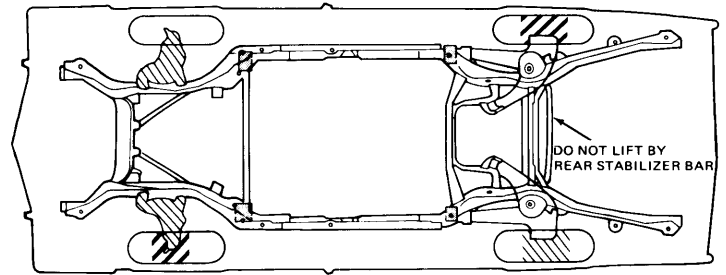


Fig. 7 Buick Skyhawk Lifting Points

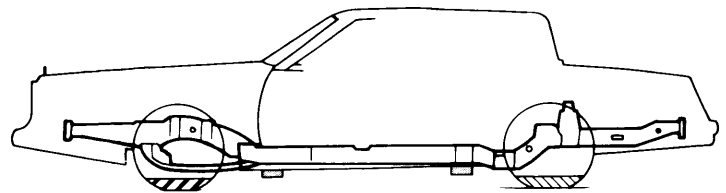
## GENERAL MOTORS (Cont.)



**Fig. 8 Buick Riviera Lifting Points**



SUPPORTS MUST BE POSITIONED SO AS TO DISTRIBUTE LOAD AND SUPPORT CAR IN A STABLE MANNER. CARE MUST BE EXERCISED TO ENSURE THAT PLACEMENT OF SUPPORTS DOES NOT DAMAGE BRAKE LINES, FUEL LINES, PARKING BRAKE CABLE OR EXHAUST SYSTEM.

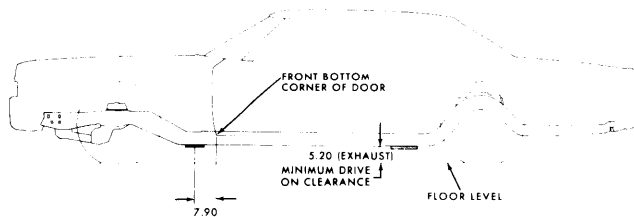
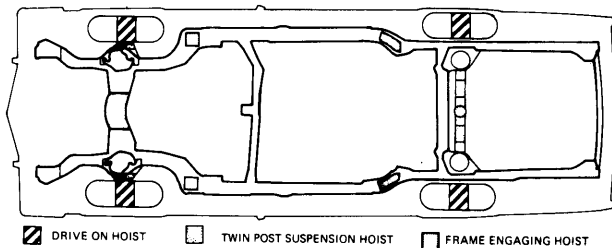


**Fig. 10 Cadillac Eldorado & Seville Lifting Points**

### CADILLAC

**Floor Jack** — Do not use floor jacks under frame side rails at midcar area on coupes or at center pillar area on sedans, or at any other position that is unboxed.

**NOTE** — Preferred type of hoist for lifting all Cadillac cars is one which engages front suspension and rear axle or all four wheels. Use bumper jacks only in slotted areas.



**Fig. 9 Cadillac Lifting Points (Except Eldorado & Seville)**

**Rail & Fork Lift (Twin Post) Hoists (Exc. Eldorado)** — Be sure car is properly centered over hoist and hoist arms are positioned under flattened part of lower control arm flange (outboard of safety locaters). Do not lift by rear lower control arms.

**Rail & Fork Lift (Twin Post) Hoists (Eldorado & Seville)** — Be sure centerline of door is behind centerline of lift post and that front hoist saddle adapters engage lower suspension arm just inboard of stabilizer linkage (both sides). Position rear hoist adapters so peg lines up with drain holes of rear suspension arms and enters holes as hoist is slowly raised.

**CAUTION** — Do not raise vehicle using rear lower control arms or sway bar.

**Frame Contact Hoists** — Hoist must contact frame only at points indicated by shaded areas in illustration.

**CAUTION** — Do not lift Series 75 or Commercial Chassis cars on frame contact hoist as severe stress and misalignment will result due to length of frame and car.

### CHEVROLET (EXCEPT CORVETTE)

**Hoisting** — Hoist must have adapters which contact frame at locations shown in illustrations. On Monza models, front load rests on frame contact hoist should contact the reinforcement that runs under the floor pan forward to the pocket at the lower control arm. Rear load rests should contact the reinforcement at the attachment point of the rear lower control arm to the underbody.

**CAUTION** — Do not lift on rear lower control arms. Be sure lift pads do not damage catalytic converters.

**Jacking (Bumper Jack)** — Locate bumper jack under bumper at point of attachment to support (see illustration).

**Floor Jack** — Floor jack can be used at frame contact points shown in illustration, and under rear axle housing. Do not lift at rear axle of Monte Carlo, Malibu, El Camino and Caballero models equipped with rear stabilizer. Never use jack on any part of underbody. Do not raise entire side of vehicle with jack midway between wheels.