

CORVETTE

Corvette

DESCRIPTION

Leaf spring type, with spring mounted transversely on a fixed differential carrier. Each wheel is mounted by a three-link independent suspension composed of a wheel drive shaft, camber control strut rod, and trailing wheel spindle support arm.

ADJUSTMENT

CAMBER & TOE-IN

See *Camber and Toe-In Adjustments and Specifications in WHEEL ALIGNMENT Section.*

REAR WHEEL BEARINGS

See *Wheel Bearing Adjustment in WHEEL ALIGNMENT Section.*

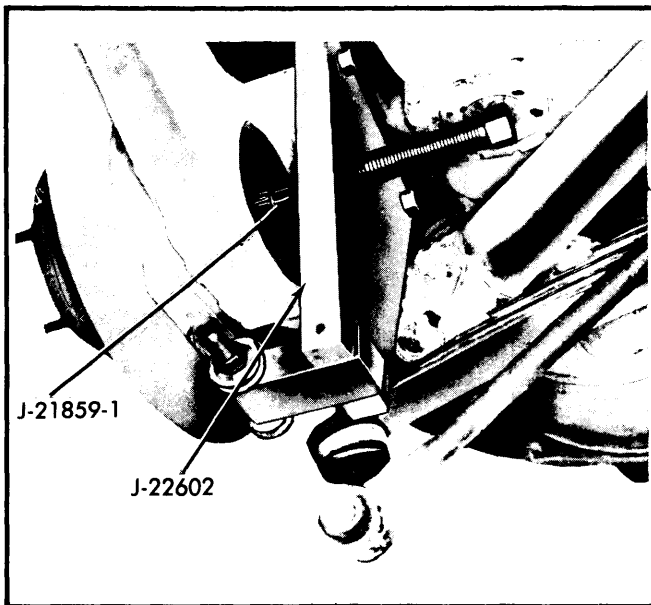


Fig. 1 Spindle Removal

SPINDLE & BEARING

Spindle Removal — Apply parking brake, to prevent spindle from turning, and remove cotter pin and nut. Release parking brake and remove drive spindle flange from splined end of spindle. Remove brake caliper and brake disc. Install suitable thread protector (J-21859-1) over spindle threads and remove drive spindle from support, using suitable removal tool (J-22602). **CAUTION** — Ensure puller plate is positioned as shown in illustration. Outer bearing will remain on spindle; inner bearing, tubular spacer, end play adjustment shim, and both outer races will remain in spindle support. Remove bearing, spacer and shim (record shim size for replacement).

Outer Bearing Replacement — Place spindle assembly on work bench and position suitable tool (J-24489-1) between outer bearing and oil seal. Mount suitable puller and remove bearing from spindle (see illustration). Remove outer seal from spindle shaft, inspect and replace as necessary. Pack bearings

with suitable grease. Install outer bearing into outer race and install outer oil seal into bore of spindle support ensuring seal is firmly seated. If bearing end play was within limits, use original size adjusting shims for replacement. If greater than .008", reduce shim thickness; if no end play was found, add .003" to original shim.

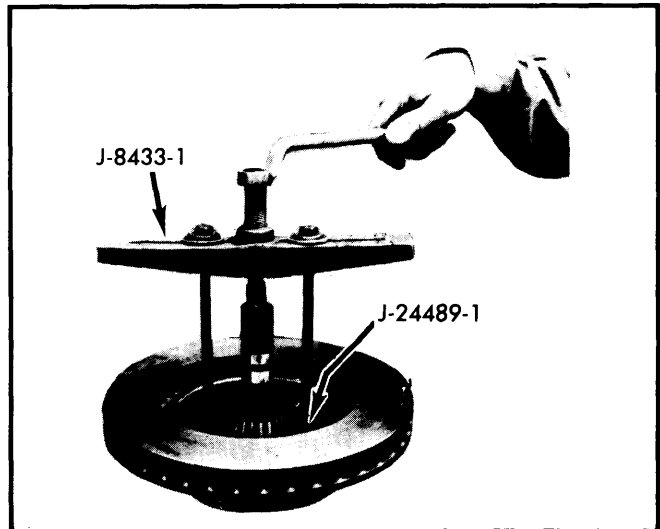


Fig. 2 Outer Bearing Removal

Spindle Installation — Carefully install spindle assembly through outer oil seal and outer bearing. Install spacer and shim on spindle shaft. Place inner bearing onto shaft. Thread suitable tool (J-24490-1) onto spindle shaft, then install sleeve (J-24490-2), washer and nut. Tighten nut against sleeve drawing spindle shaft through bearings to its final installed position. Remove installing tools. Position drive flange over spindle (flange must be aligned with spindle splines), install washer and nut on spindle and tighten nut. Install cotter pin. Install brake caliper onto disc. Install axle drive shaft, wheel and tire assembly and adjust camber to its original position. Tighten all nuts and bolts.

SPINDLE SUPPORT

Removal — Remove spindle, as previously described. Detach parking brake cable from actuating lever. Unbolt spindle support from torque control arm, withdraw brake backing plate, and position out of way. Disconnect shock absorber lower mounting. **NOTE** — It is advisable to support spring outer end before disconnecting shock absorber. Remove nut from strut rod mounting shaft. Pull shaft from support and strut rod. Separate support from torque control arm.

Installation — Position support over torque arm bolts, with strut rod fork pointing toward center of vehicle and downward. Position backing plate and tighten attaching nuts. Install strut rod and shock absorber mounting shaft onto support arm. Install shock absorber and tighten. Connect parking brake cable to actuating lever. Reinstall drive spindle assembly.

Rear Suspension

CORVETTE (Cont.)

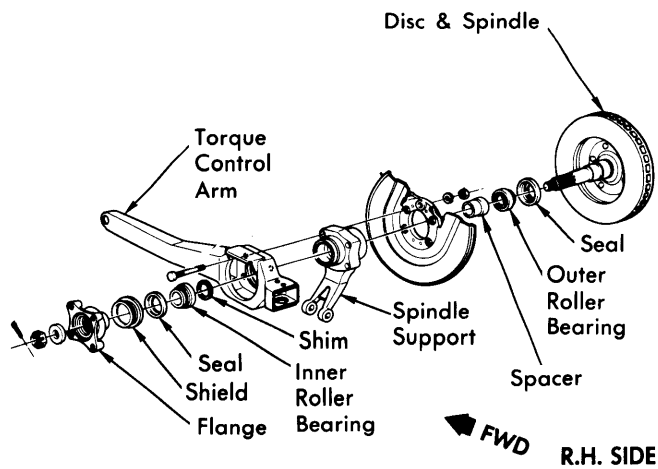


Fig. 3 Spindle Assembly

REMOVAL & INSTALLATION

STRUT ROD & BUSHINGS

Removal — With vehicle raised, disconnect shock absorber lower eye from strut rod shaft, remove strut rod shaft nut, and withdraw shaft by pulling toward front of vehicle. **NOTE** — Mark relative position of camber adjusting cam and bracket, for proper reassembly. Loosen camber bolt and remove four bolts securing strut rod bracket to carrier and lower bracket. Remove cam bolt nut and cam-and-bolt assembly, then pull strut down out of bracket and remove bushing caps.

Bushing Removal — With strut rod bushing centered over suitable removal tool (J-7877-2), support strut rod horizontally and press bushing from rod, using suitable tools (J-7877-1 & J-7079-2).

Bushing Installation — Center strut rod end over suitable tool (J-7877-2) and press bushing to bottom, on strut rod, using suitable tool (J-7877-3).

Installation — With bushing caps over inboard bushing, slide rod into bracket, install cam and bolt assembly, and adjust cam to line up with mark on bracket. Tighten, but do not torque, nut. Raise bracket and assemble to carrier lower mounting surface. Tighten bolts. Raise outboard end of strut rod into spindle support fork and insert strut rod shaft into fork. Align flat on shaft with corresponding flat in spindle fork. Place shock absorber lower eye and bushing over strut shaft and tighten nut. Lower vehicle to floor and torque camber nut and strut rod shaft nut. Check rear wheel camber angle.

SPRING

Removal — Raise vehicle on hoist, allowing axle to hang. Remove wheel and tire assemblies. Install "C" clamp on spring approximately 9" from one end. Tighten securely. Place adjustable lifting device under spring, with lifting pad of jack inboard of link bolt, near "C" clamp. Insert a wood block between clamp and jack pad (see illustration). Raise jack until

load is released from link. Remove link nut and cushion. Carefully lower jack until spring tension is released. Repeat procedure on other side. Remove four bolts securing spring center clamp plate. Slide spring from vehicle.

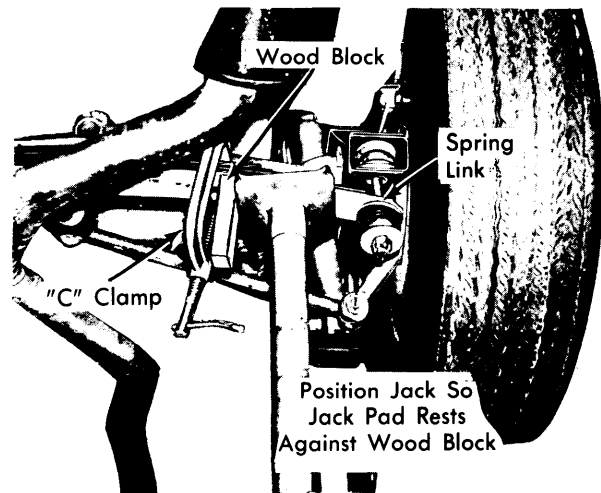


Fig. 4 Spring Removal

Spring Liners and/or Cushion Retainers — Clamp spring center section in vise and remove center bolt. Release vise and separate leaves. Replace worn or damaged liners. Replace main leaf spring cushion by chiseling over flared portion until retainers may be knocked out of leaf. Position new retainers and flare over with hammer. Insert drift into center bolt hole, to align leaves. Install center bolt and tighten securely.

Installation — Place spring on carrier cover mounting, position center clamp plate and bolts. Reinstall "C" clamp, wood block and jack as used during removal. Raise spring end until nearly flat, align with torque arm and install new attaching parts. Repeat procedure on other side. When lowering jack, ensure cushions remain in position.

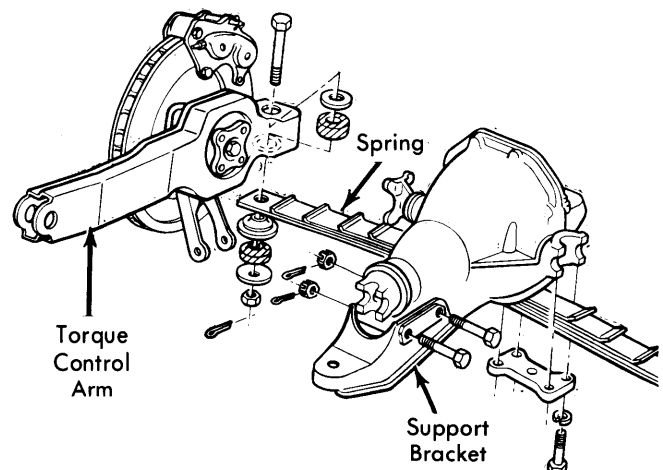


Fig. 5 Rear Spring Installation

CORVETTE (Cont.)

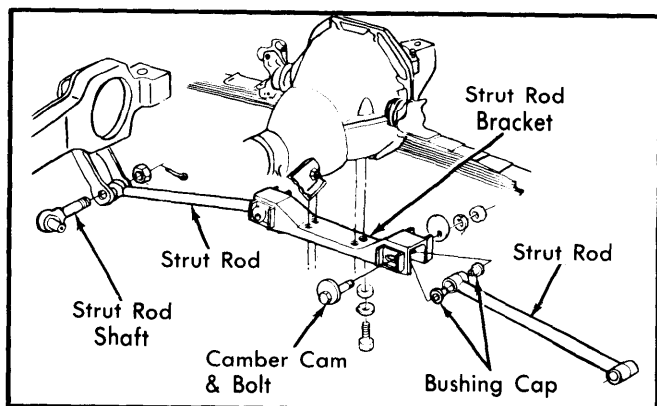


Fig. 6 Strut Rod Assemblies

TORQUE CONTROL ARM & BUSHINGS

Removal — Disconnect spring on side from which torque arm is to be removed. Disconnect stabilizer shaft from torque arm (if equipped). Detach lower shock mounting, unbolt and remove strut rod. Swing rod down and remove four bolts securing axle drive shaft to spindle flange. Disconnect drive shaft. **NOTE** — It may be necessary to force torque arm outboard to provide clearance for dropping drive shaft. Disconnect parking brake cable. Disconnect brake hose at caliper and from torque arm. Loosen torque arm pivot bolt and remove toe-in shims. Tape shims together and identify for reinstallation. Withdraw pivot bolt and pull torque arm out of frame.

Bushing Removal — With torque arm off vehicle, drill out flared end of bushing retainer, remove retainer plate and tap retainer out of bushing. Remove bushings (spread with tool and tap out of arm). **NOTE** — If bushing diameters are severely rusted in torque arm, clamp arm in "C" clamp to prevent arm from spreading, during removal.

Bushing Installation — Hand start bushings in arm, then press into place, using suitable tool (J-7055-1). With special plate over flared portion of new bushing retainer, insert retainer into bushing. Place fabricated back-up plate on flared end of bushing retainer and assemble suitable tool (J-8111-23) to plate with two 1/2 x 5" bolts. Ensure threaded hole of tool is centered over unflared end of bushing retainer and that chamfered retainer plate is centered over retainer tube. Lightly oil pointed end of special screw (J-8880-5) and thread into suitable flaring tool (J-8111-23) until flaring is complete.

Installation — With torque arm in frame opening, insert pivot bolt. Place toe-in shims in original position on both sides of torque arm, then tighten pivot bolt (do not torque). Raise axle drive shaft into position and install to drive flange, then torque bolts. Position strut rod and insert rod shaft, aligning flat of shaft with flat in spindle support fork. Torque bolts. Reattach and torque lower shock absorber mounting. Connect spring and brake line. Install wheel, lower vehicle and tighten torque arm.

SUSPENSION CROSSMEMBER & ISOLATION MOUNT

Removal (Crossmember) — Disconnect and remove spring as previously outlined. Remove differential carrier and cover assembly. See *General Motors Integral Housing in REAR AXLE Section*. Support crossmember, remove bolts and lower crossmember.

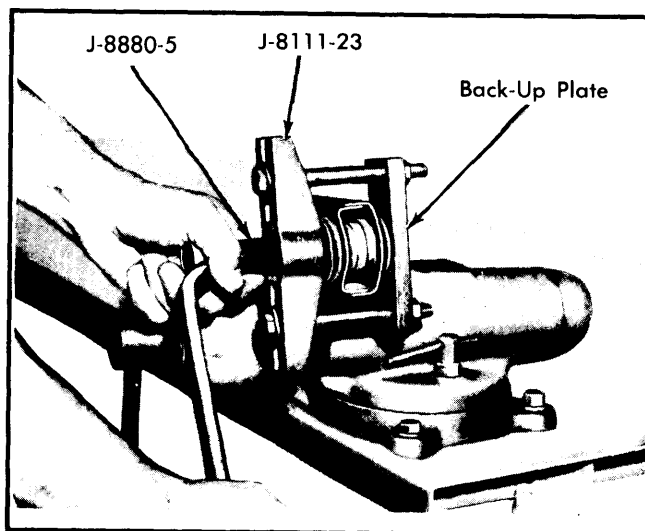


Fig. 7 Flaring Bushing Retainer

Installation — Raise crossmember into position and install mounting bolts. Tighten bolts. Install differential carrier and cover assembly. Reposition spring, mount wheel and lower vehicle.

Removal & Installation (Isolation Mount) — 1) With suspension crossmember off vehicle, bend back isolation mount tabs to allow mount removal.

2) Place crossmember on a suitable support and press mount out of arm using suitable size piece of pipe, on outer shell or inner insert.

3) Position mount on crossmember, compress outer sleeve and press mount into place until fully seated. Bend over locking tabs.

STABILIZER SHAFT

Removal — Raise and support vehicle at frame side rail. Disconnect stabilizer at both torque arms. Remove stabilizer shaft brackets from frame and withdraw assembly from vehicle.

Installation — Position new bushings on shaft, loosely install shaft on torque arms and at frame brackets. **NOTE** — Install flange of bushing on wheel side of link. Align shaft and torque bolts.

TIGHTENING SPECIFICATIONS

Application	Ft. Lbs.
Lower Control Arm Front Bushing	50
Shock Absorber (Upper)	35
Shock Absorber (Lower)	50
Leaf Spring Retainer	70
U-Joint Companion Flange	15
Axle Drive Shaft-to-Spindle	75
Axle Drive Shaft-to-Yoke	15
Strut Rod Shaft-to-Spindle Support Fork	75
Stabilizer Link Bushing Bolts	25
Crossmember-to-Carrier	60
Carrier Front Support-to-Crossmember	65
Drive Spindle Support-to-Torque Arm	30
Camber Cam Lock Nut	65
Torque Arm Pivot	50
Drive Spindle Nut	100