

## ALL CAR MODELS

## DESCRIPTION

American automobile manufacturers use an anti-theft steering column lock which locks the steering and shift mechanisms as well as the ignition system. Special provisions are necessary for towing a vehicle when switch is in "LOCK" position and key is not available.

## TOWING (WITH IGNITION KEY)

1) Ignition key must be in "OFF" position before towing. If transmission, drive shaft or rear axle is not damaged and if transmission is not low on fluid, vehicle may be towed from front (drive wheels on ground) with selector lever in neutral.

2) General Motors vehicles may be towed at speeds up to 35 MPH for distances not to exceed 50 miles. Pontiacs with Hydramatic M-40 transmission may be towed up to 45 MPH.

**NOTE** — *Toronado, Riviera and Eldorado models may be towed on all four wheels at speeds up to 35 MPH for distances up to 50 miles. In an emergency, these vehicles may be towed backwards (from the rear with drive wheels on ground) at speeds up to 25 MPH for up to 10 miles.*

3) American Motors, Chrysler Corp. and Ford Motor Co. vehicles may be towed at speeds up to 30 MPH for distances not to exceed 15 miles.

4) For higher speeds, greater distances, or if transmission is not operating properly, tow with drive wheels on a dolly, disconnect drive shaft or tow with drive wheels off the ground.

**NOTE** — *This applies to both front and rear wheel drive vehicles.*

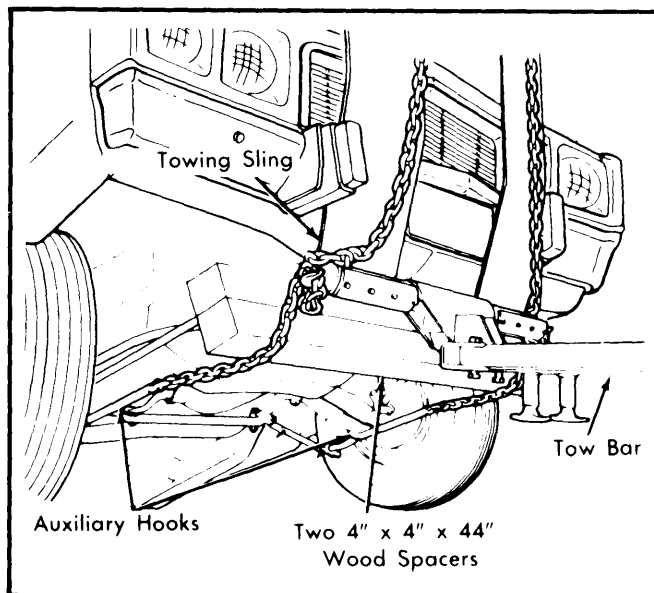


Fig. 1 Typical Front Hookup

## TOWING (WITHOUT IGNITION KEY)

If a front-end pickup is used, towing with drive wheels on the ground, drive shaft should be disconnected at rear axle and

secured to frame or tail pipe, or drive wheels should be placed on a tow dolly.

**NOTE** — *This does not apply to front wheel drive vehicles.*

## TOWING (RECREATIONAL)

Small vehicles (such as the Chevette or Monza), equipped with a manual transmission, may be towed in "Neutral" behind another vehicle as a "dinghy" at freeway speeds. It is not necessary to disconnect drive shaft if additional fluid is added to the transmission. Add 1 quart for 4-speed or 1 2/3 quarts for 5-speed. Additional fluid later must be drained from 5-speed, but not from 4-speed.

## TOWING PRECAUTIONS

1) When attaching towing slings, hooks, and chains to vehicle, be sure that all connections are safe and secure and will not damage chrome, fuel tank, lower body panels or any other vehicle parts.

**NOTE** — *A bumper to tow bar restraint strap is advisable to prevent fuel tank damage in event of tow truck panic stops.*

2) Cross all curbs at 45° angles. Towed vehicles should be raised until lifted wheels are at least 4" off ground. Brake drums and rotors should have at least 8" clearance. Make sure there is adequate ground clearance at opposite end of vehicle as well.

3) If vehicle is to be towed with rear wheels off the ground, steering wheel should be centered and lashed to the window division channel or held in centered position with a suitable steering clamp. DO NOT depend on the vehicle's steering lock to hold front wheels in the centered position.

4) If vehicle has been damaged, secure all loose or protruding parts.

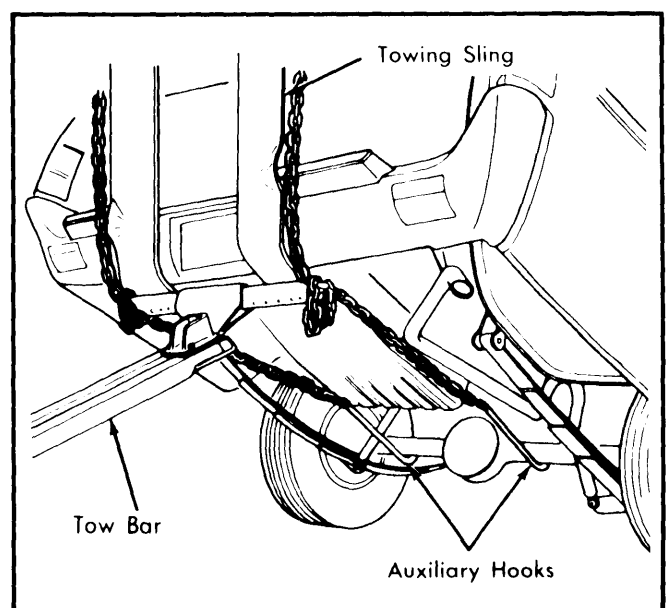


Fig. 2 Typical Rear Hookup