

# Towing Procedure

## ALL CAR MODELS

### DESCRIPTION

American automobile manufacturers use an anti-theft steering column lock which locks the steering and shift mechanisms as well as the ignition system. Special provisions are necessary for towing a vehicle when switch is in "LOCK" position and key is not available.

### TOWING (WITH IGNITION KEY)

1) Ignition key must be in "OFF" position before towing. If transmission, drive shaft, or rear axle is not damaged, and if transmission is not low on fluid, vehicle may be towed with selector lever in neutral.

2) American Motors and General Motors vehicles may be towed at speeds up to 35 MPH for distances not to exceed 50 miles.

3) Chrysler Corp. and Ford Motor Co. vehicles may be towed at speeds up to 30 MPH for distances not to exceed 15 miles.

**NOTE** — On Ford Mustang and Pinto with C-3 automatic transmission, car may be towed at speeds up to 20-25 MPH for distances not to exceed 12 miles.

4) For higher speeds, greater distances, or if transmission is not operating properly, disconnect propeller shaft or tow from rear (with rear wheels off ground).

### TOWING (WITHOUT IGNITION KEY)

If a front end pickup is used, drive shaft should be disconnected at rear axle and secured to frame or tail pipe, or rear wheels placed on a tow dolly.

### TOWING PRECAUTIONS

1) When attaching towing sling, hooks, and chains to vehicle, be sure that all connections are safe and secure, and will not damage chrome, lower body panels, or any vehicle part. Towed vehicles should be raised until lifted wheels are at least 4" off ground, while making sure there is adequate ground clearance at opposite end of vehicle.

2) If vehicle is to be towed with rear wheels off the ground, steering wheel should be centered and lashed to the window division channel, or held in centered position with a suitable steering clamp. DO NOT depend on the vehicles steering lock to hold front wheels in the centered position.

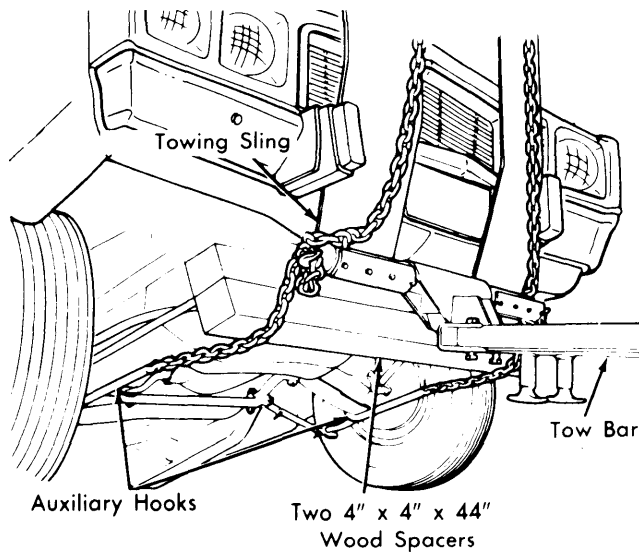


Fig. 1 Typical Front Hookup

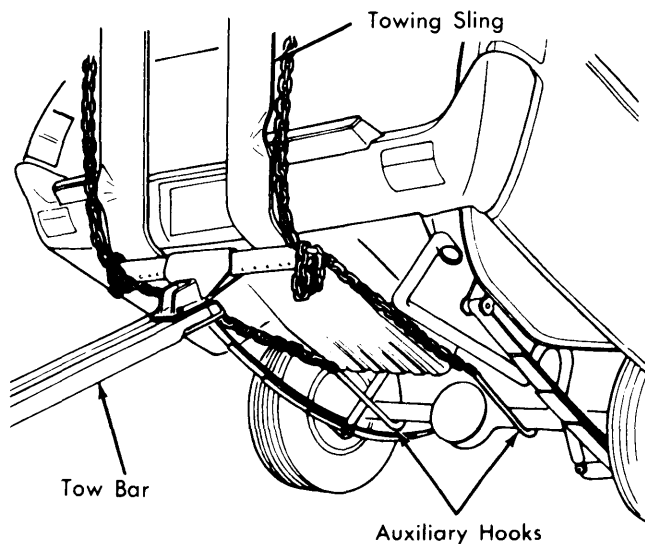


Fig. 2 Typical Rear Hookup