

GENERAL MOTORS (Cont.)

CASTER (CORVETTE FRONT)

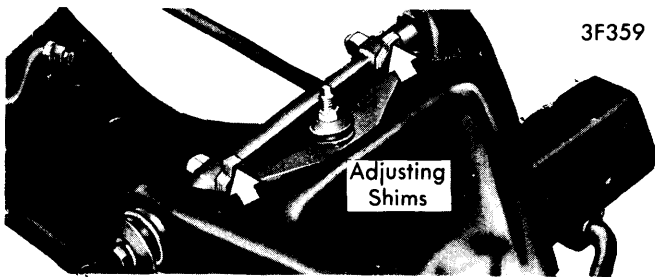
To adjust caster, loosen front and rear bolts of upper control arm support shaft and add or remove shims from either bolt as required. Adding shims at front bolt or removing shims at rear bolt will decrease caster. A $\frac{1}{32}$ " shim will change caster $\frac{1}{2}$ °.

CAMBER (CORVETTE FRONT)

To adjust camber, add or remove shims in equal amounts at both front and rear bolts of upper control arm support shaft. A $\frac{1}{32}$ " shim will vary camber $1/6$ °. After adjustments are completed tighten upper control arm support shaft bolts.

CAMBER (CORVETTE REAR)

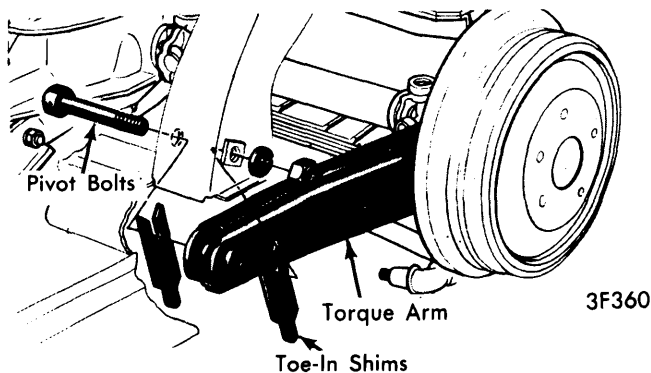
Camber adjustments are made by adjusting eccentric cam and bolt assembly located at inboard mounting of strut rod. To change camber setting, loosen locknut on cam bolt and rotate cam and bolt assembly until specified camber is obtained. Tighten locknut.



CORVETTE CASTER & CAMBER ADJUSTING SHIMS (FRONT)

TOE-IN (CORVETTE REAR)

Rear wheel toe-in angle is adjusted through use of variable thickness shims inserted between torque arm and frame side member web at forward pivoting joint. Shims are slotted to slide over bushing pivot bolt on either side. To adjust, loosen pivot bolt, shim outboard gap as necessary to obtain solid stack-up between outer end of torque arm bushing and inner wall of frame side member, and when adding shims to inner side of control arm do not use thicker shim than necessary or force insertion of shim as this may cause toe-in setting to change. After shims are securely installed, tighten pivot bolt.



CORVETTE REAR SUSPENSION TOE-IN SHIMS

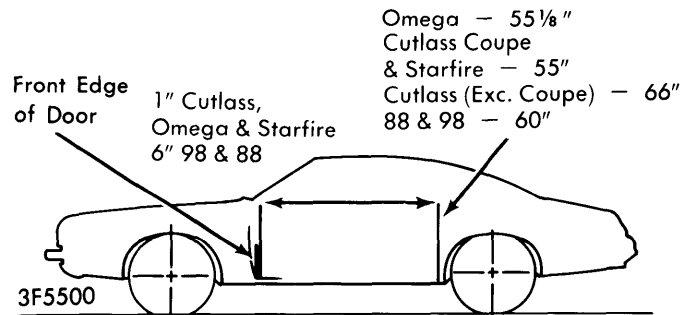
OLDSMOBILE (EXCEPT TORONADO)

TIRE INFLATION (COLD)

Inflate tires to recommended pressures listed on rear of left front door on Omega and Starfire models, and inside glove box door on all other models.

RIDING HEIGHT

Check riding height with full gas tank, front seat rearward, tire pressure correct, doors closed and trunk empty. With vehicle on level floor, bounce several times and allow car to settle. Measure heights as shown in illustration. Measured heights may differ side to side $\pm \frac{3}{4}$ " and front to rear $\pm \frac{3}{4}$ ".



RIDING HEIGHT MEASURING POINTS (OLDSMOBILE EXC. TORONADO)

RIDING HEIGHT SPECIFICATIONS

Application	Front	Rear
Starfire	7 $\frac{3}{4}$ "	7 $\frac{3}{4}$ "
Omega	9 $\frac{5}{8}$ "	9 $\frac{1}{2}$ "
Cutlass (Exc. Wagon) ...	10 $\frac{3}{8}$ "	10 $\frac{1}{2}$ "
Cutlass Wagon	10 $\frac{1}{2}$ "	10 $\frac{5}{8}$ "
88 (Exc. Wagon)	9 $\frac{1}{2}$ "	9 $\frac{1}{2}$ "
88 Wagon	10 $\frac{1}{8}$ "	10 $\frac{1}{4}$ "
98	9 $\frac{3}{4}$ "	9 $\frac{3}{4}$ "

CASTER (EXC. STARFIRE)

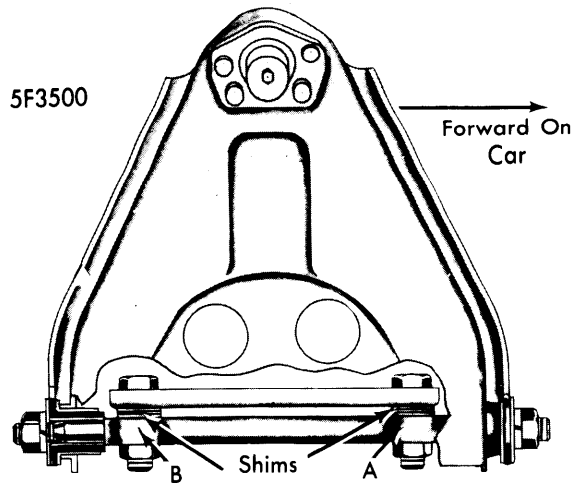
Loosen pivot shaft-to-frame nuts. **CAUTION** — Bolts are splined to frame and should not be turned. To decrease positive caster (increase negative caster), add shims at front bolt. To increase positive caster (decrease negative caster), remove shims at front bolt.

CAMBER (EXC. STARFIRE)

Loosen pivot shaft-to-frame nuts. **CAUTION** — Bolts are splined to frame and should not be turned. To increase positive camber, remove shims at both front and rear bolts. To decrease positive camber, add shims at both front and rear bolts. **NOTE** — By adding or subtracting an equal amount of shims from front and rear bolts, camber can be changed without affecting caster adjustment.

Wheel Alignment

GENERAL MOTORS (Cont.)



To Decrease Positive Caster: Add Shim At "A"
 To Decrease Negative Caster: Remove Shim At "A"
 To Increase Camber: Remove Shims At Both "A" And "B"
 To Decrease Camber: Add Shims At Both "A" And "B"

OLDSMOBILE CASTER & CAMBER ADJUSTING SHIMS

CAMBER (STARFIRE)

Loosen front lower control arm pivot nut and rotate cam until specified camber setting is reached. Tighten pivot nut and check caster setting.

CASTER (STARFIRE)

Loosen rear lower control arm pivot nut and rotate cam until specified caster setting is reached. Tighten pivot nut and check camber setting.

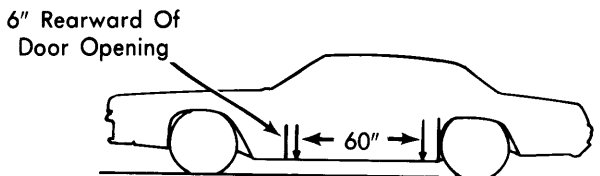
OLDSMOBILE TORONADO

TIRE INFLATION (COLD)

Inflate tires to recommended pressures listed on glove box door.

RIDING HEIGHT

Check riding height with full gas tank, front seat rearward, tire pressure correct, doors closed and trunk empty. With vehicle on level floor, bounce several times and allow car to settle. Measure heights as shown in illustration from bottom of rocker molding to floor at points indicated. Measured heights may differ side to side $\pm 1/2$ " , front to rear $\pm 1/2$ " and have a front to rear slope $+ 3/4$ ". To adjust front carrying height, raise car at front crossmember to relieve strain on adjusting bolt. Lubricate adjusting bolt before attempting to change carrying height.



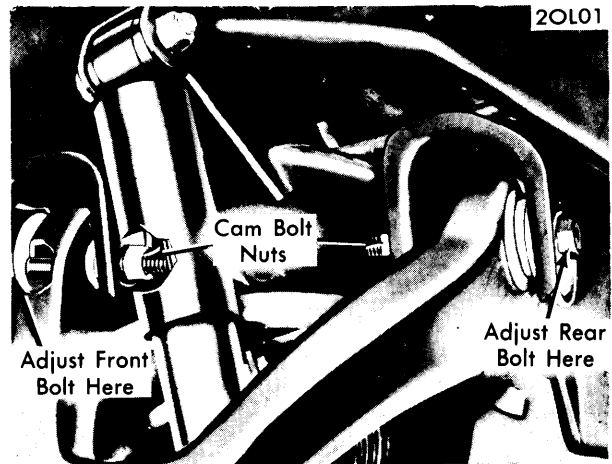
RIDING HEIGHT MEASURING POINTS (TORONADO)

3F5501

CAMBER

Adjustments are made by rotating eccentric cam assemblies at inner end of upper control arm front and rear legs. Loosen nuts

on inboard side of upper control arm cam bolts, then turn both front and rear cams in same direction to adjust. Each cam bolt will correct $1/2$ of incorrect setting. Tighten cam bolts to 110 ft. lbs.



TORONADO CASTER & CAMBER ADJUSTING CAMS

CASTER

Loosen front and rear cam nuts while holding bolts with back-up wrench so camber is not changed. Turn front cam bolt so camber changes an amount equal to $1/4$ desired amount of caster change. Adjust rear cam in opposite direction so camber setting returns to its correct position. Tighten upper control arm cam nuts to 110 ft. lbs. *NOTE - If not enough cam is available for adjustment, turn front cam so high part is up, and rear cam so high part is down, then set camber and caster.*

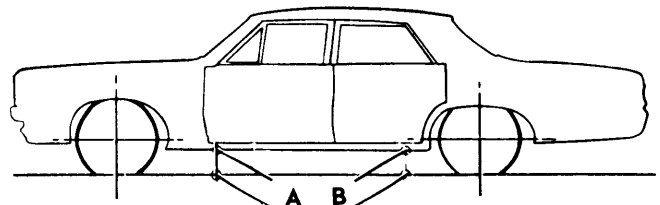
PONTIAC

TIRE INFLATION (COLD)

Before attempting wheel alignment adjustments, tires must be inflated to specified pressures shown on vehicle placard table.

RIDING HEIGHT

With vehicle at curb height and on a level floor, bounce vehicle several times and allow to settle. Measure heights at locations shown in illustration. Specifications are for new vehicles, most vehicles in use will average 1" less than new vehicles.



8S3501

RIDING HEIGHT MEASURING POINTS (PONTIAC - ALL MODELS)

GENERAL MOTORS (Cont.)

RIDING HEIGHT SPECIFICATIONS		
Application	A	B
LeMans, Grand Am, & Grand LeMans		
Station Wagons	10.70"	10.70"
All Others	10.22"	9.92"
Grand Prix	10.22"	9.92"
Catalina, Bonneville, & Grand Ville		
Sedan	9.50"	9.20"
Coupe	9.80"	9.80"
Station Wagon	10.15"	10.25"
Firebird	8.52"	7.90"
Ventura	8.52"	9.56"
Astre	7.58"	7.68"

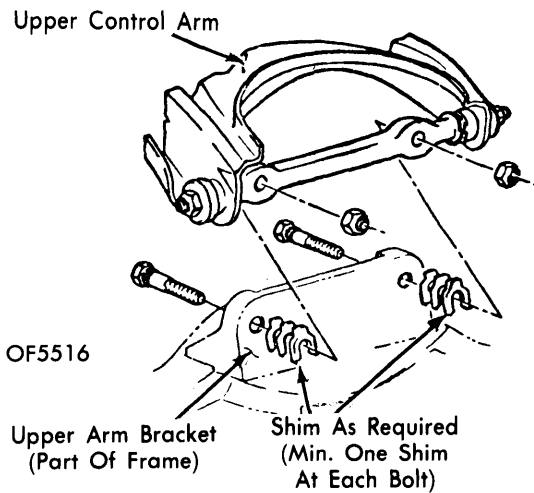
CASTER (EXC. ASTRE)

To adjust caster, raise car to remove weight from front wheel and loosen control arm shaft-to-frame bolts. To decrease caster, add shims to front bolt or remove shims from rear bolt. To increase caster, remove shims from front bolt or add shims to rear bolt. Tighten bolts when adjustments are completed. *NOTE — Shim pack should not exceed 3/4" thickness or have difference greater than 3/8" between front and rear shim packs.*

CAMBER (EXC. ASTRE)

To adjust camber, raise car to remove weight from front wheel and loosen control arm shaft-to-frame bolts. To increase camber, remove shims from both front and rear bolts. To decrease camber, add shims to front and rear bolts. By adding or removing equal thickness of shims from front and rear bolts, camber can be changed without changing caster. Tighten bolts

when adjustments are completed. *NOTE — Shim pack should not exceed 3/4" thickness or have difference greater than 3/8" between front and rear shim packs.*



PONTIAC CASTER & CAMBER ADJUSTING SHIMS

CASTER (ASTRE)

Loosen rear lower control arm pivot nut and rotate cam until specified caster setting is reached. Tighten pivot nut and check camber setting.

CAMBER (ASTRE)

Loosen front lower control arm pivot nut and rotate cam until specified camber setting is reached. Tighten pivot nut and check caster setting.