

## AMERICAN MOTORS

### All Models

**Hoisting (Axle Contact Hoist)** – Hoist should contact lower control arms and rear axle housing or tubes.

**Hoisting (Frame Contact Hoist)** – This type hoist must be equipped with proper adapters so car will be supported at points marked "LIFT".

**Jacking** – Floor jack may be used under rear axle housing or front suspension lower control arms. **CAUTION** – Never use a jack on underbody except at jack points identified by "LIFT".

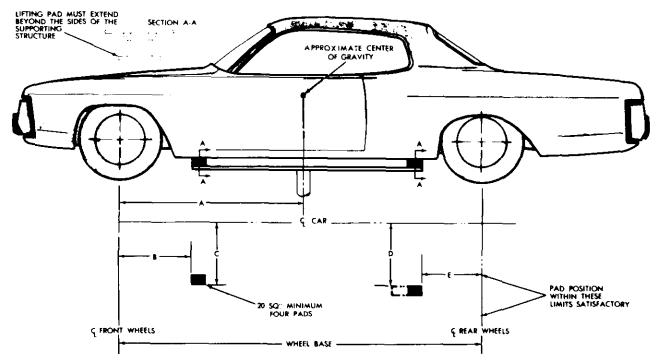
## CHRYSLER CORP.

### ALL MODELS

**Jacking** – Floor jack may be used under rear axle housing or front suspension lower control arms. **CAUTION** – Never use a jack on any part of underbody. Do not raise entire side of car with a jack midway between front and rear wheels or permanent body damage may result. Do not allow lifting plate fingers to contact axle cover plate when lifting from rear axle housing.

**Hoisting (With Frame Contact Hoist)** – This type hoist must be equipped with proper adapters so car will be supported in correct places as shown in illustration and at specifications listed below.

**Hoisting (With Axle Contact Hoist)** – Hoist should contact lower control arms and rear axle housing.



3F5502

### CHRYSLER CORP FRAME CONTACT POINTS

Measurement For Frame Contact Points (In.)					
Model	A	B	C	D	E
Barracuda	48.5	26.5	18.5	15.6	20-29
Challenger	48.5	26.5	18.5	15.6	20-29
Charger	53.5	27.5	18.5	21.2	23-33
Chrysler	57.0 <sup>①</sup>	26.7	22.7	18.8	26-34
Coronet	53.5 <sup>②</sup>	27.5	18.5	18.8	23-33
Dart	48.0	22.3	14.2	16.2	24-32
Fury	57.0 <sup>①</sup>	26.7	22.7	18.8	26-34
Imperial	60.0	29.7	22.7	18.8	26-34
Monaco	57.0 <sup>①</sup>	26.7	22.7	18.8	26-34
Polara	57.0 <sup>①</sup>	26.7	22.7	18.8	26-34
Satellite	53.5 <sup>②</sup>	27.5	18.5	18.8 <sup>③</sup>	23-33
Valiant	48.0	22.3	14.2	16.2	24-32

① – 65" on Station Wagon.

② – 60-65" on Station Wagon.

③ – 21.2" on Satellite Sebring and Sebring Plus

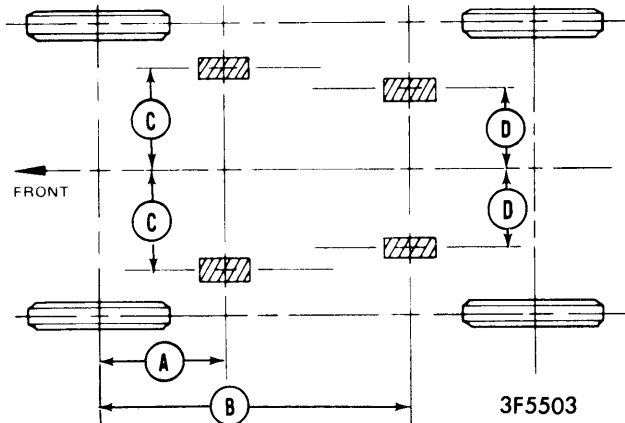
# Jacking & Hoisting

## FORD MOTOR CO.

### ALL MODELS

**Twin Post Hoist** — To assure safe hoisting, front post adapters must be positioned to contact center of lower suspension arms. To prevent damage to rear shock absorbers, rear forks must contact axle at points not more than 1" outboard from circumference welds near differential housing.

**Frame Contact Hoist** — If frame contact hoist is used, precautions must be taken to ensure that adapters contact frame as shown in illustration and specifications below.



FORD MOTOR CO. FRAME CONTACT POINTS

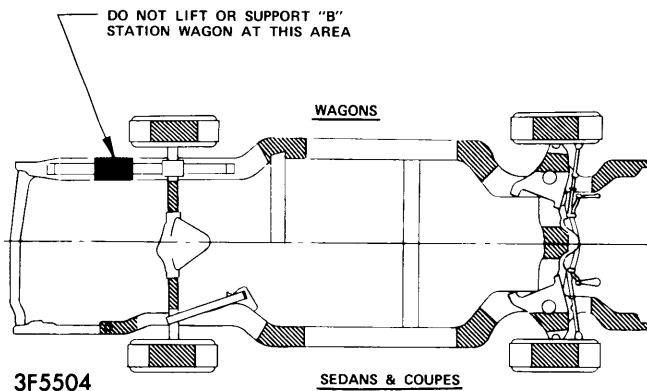
Measurement For Frame Contact Points (In.)				
Model	A	B	C	D
Comet	21.3	①	20.0	22.0
Cougar	22.0	②	25.0	27.5
Continental Mk. IV	24.9	102.9	25.0	26.0
Ford	21.5	97.5	23.0	25.0
Lincoln Continental	21.7	103.7	23.5	27.0
Maverick	21.3	①	20.0	22.0
Mercury	21.5	100.5	23.0	25.0
Montego	22.0	②	25.0	27.5
Mustang	17.5	75.0	12.0	24.0
Pinto	17.5	75.0	12.0	24.0
Thunderbird	24.9	102.5	25.0	26.0
Torino	22.0	②	25.0	27.5

- ① — 75.8" on two door, 82.7" on four door.
- ② — 83.4" on two door, 87.4" on four door.

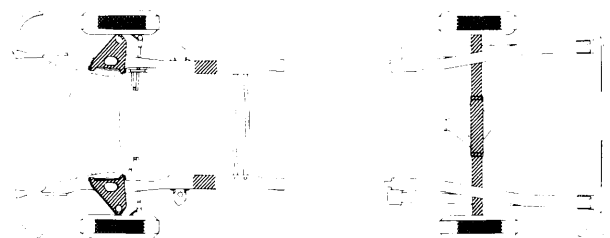
## GENERAL MOTORS

### BUICK

**Hoisting** — All models may be raised at contact points shown below or by engaging rear axle, front lower control arm or front crossmember.



BUICK (EXC. APOLLO) FRAME CONTACT POINTS



3F5505

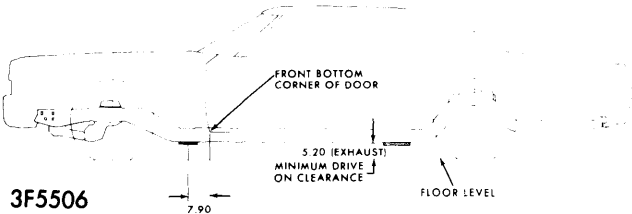
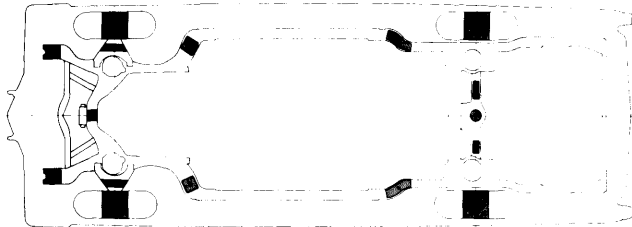
- DRIVE ON HOIST
- BUMPER JACK AT FRAME ATTACHMENT ONLY
- FLOOR JACK OR HOIST LIFT

BUICK APOLLO FRAME CONTACT POINTS

## GENERAL MOTORS (Cont.)

### CADILLAC

**NOTE** — Preferred type of hoist for lifting all Cadillac cars is one which engages front suspension and rear axle, or all four wheels.

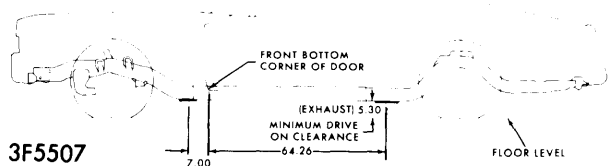
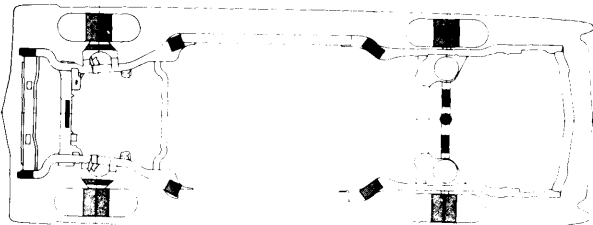


### CADILLAC (EXC. ELDORADO) LIFTING POINTS

**Rail & Fork Lift (Twin Post) Hoists (Exc. Eldorado)** — Be sure car is properly centered over hoist and hoist arms are positioned under flattened part of lower control arm flange (outboard of safety locaters).

**Rail & Fork Lift (Twin Post) Hoists (Eldorado)** — Be sure front hoist saddle adapters engage lower suspension arm just inboard of stabilizer linkage (both sides). At rear, place saddles at maximum in position and under rear axle. Raise hoist until it contacts stabilizer bar and raise slowly until stabilizer bar flexes and contacts rear axle.

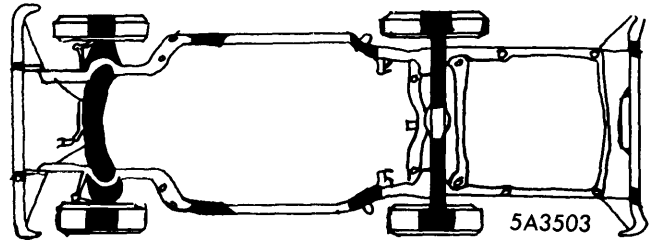
**Frame Contact Hoists** — Hoist must contact frame only at points indicated by shaded areas in illustration. **CAUTION** — Do not lift Series 75 or Commercial Chassis cars on frame contact hoist as severe stress and misalignment will result due to length of frame and car.



### CADILLAC ELDORADO LIFTING POINTS

### CHEVROLET (EXCEPT CORVETTE)

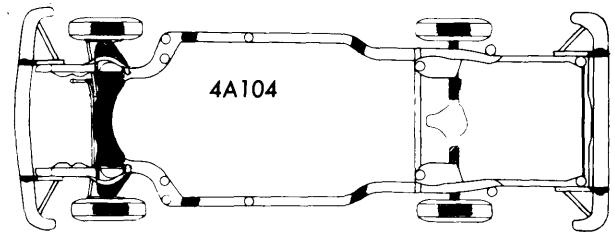
**Hoisting** — Hoist must contact frame at locations indicated by shaded areas on illustrations. **CAUTION** — Do not lift on rear lower control arms.



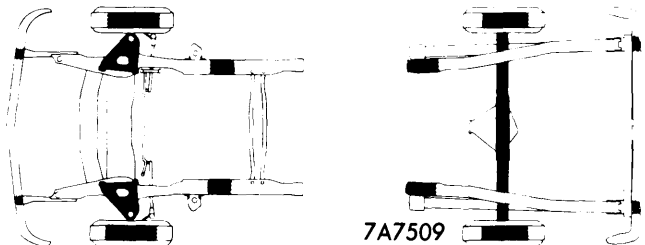
### CHEVROLET LIFTING POINTS

**Jacking (Bumper Jack)** — Locate bumper jack under bumper at point of attachment to support (see illustration).

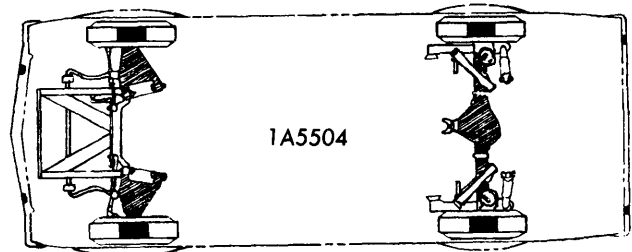
**Floor Jack** — Floor jack can be used at frame contact points shown in illustration, and under rear axle housing.



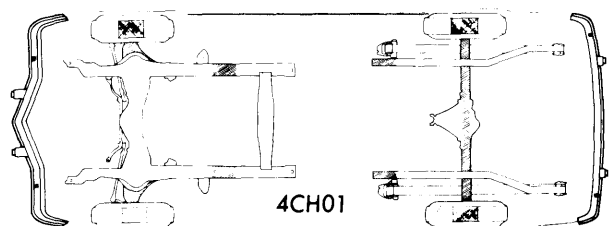
### CHEVELLE & MONTE CARLO LIFTING POINTS



### NOVA LIFTING POINTS



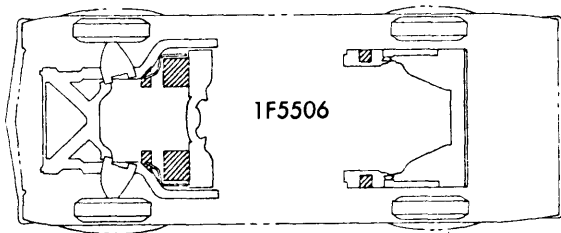
### VEGA LIFTING POINTS



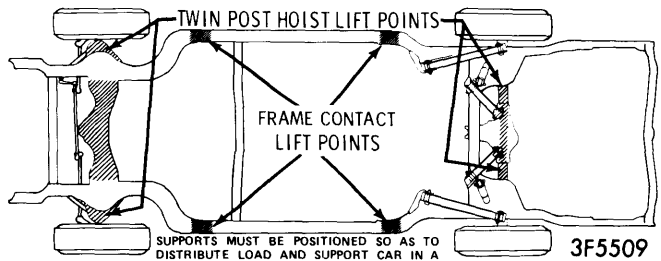
### CAMARO LIFTING POINTS

# Jacking & Hoisting

## GENERAL MOTORS (Cont.)



**VEGA FRAME CONTACT HOIST**

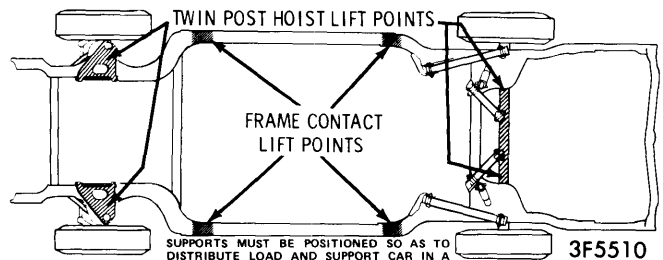


**CUTLASS, 88 & 98 LIFTING POINTS**

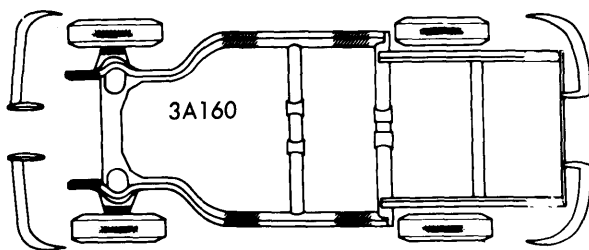
### CORVETTE

**Frame Contact Hoist** — Hoist must contact frame only at locations indicated by shaded areas on illustration.

**Rail & Fork Lift (Twin Post) Hoists** — Use either suspension or drive-on adapters at front. If not working on rear axle or suspension, use drive-on adapters at rear. If working on rear axle or suspension, use frame lift adapters at rear. **CAUTION** — Additional crossbar and wood blocks must be used at rear so exhaust system will not be damaged.



**TORONADO LIFTING POINTS**



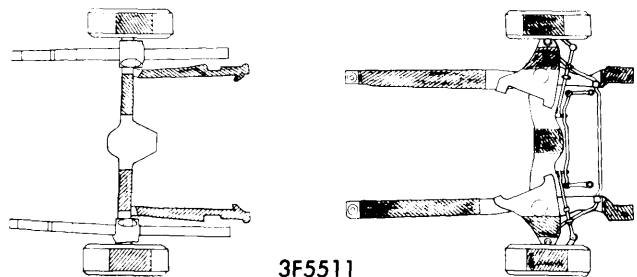
**CORVETTE LIFTING POINTS**

### PONTIAC

**NOTE** — Do not use lift adapters on bumpers or rear axle. Lift adapters may be used on front crossmember, lower control arms, or frame lifting pads.

**Rail & Twin Post Hoists** — Hoist must contact front suspension lower control arms and rear axle. Do not lift on lower shock absorber brackets.

**Frame Contact Hoist** — Adapters must contact car at areas shown in illustrations.



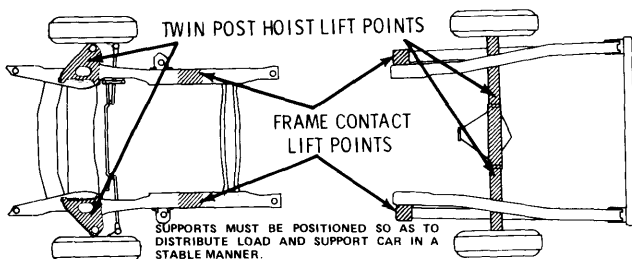
**FIREBIRD & VENTURA LIFTING POINTS**

### OLDSMOBILE

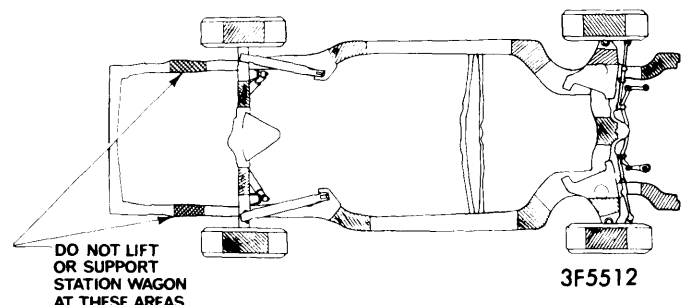
**Jacking (Bumper Jack)** — Do not lift car at either front or rear bumper with anything other than bumper jack furnished with car.

**Hoisting** — Lift only at points indicated in illustrations.

**Floor Jack** — Lift at suspension points only.



**OMEGA LIFTING POINTS**



**PONTIAC (EXC. FIREBIRD & VENTURA) LIFTING POINTS**