

Front & Rear Suspension

VEGA REAR

Vega

DESCRIPTION

The rear suspension is of link type with coil springs. System uses four arms to attach rear axle assembly to frame. A bracket on axle supports rear spring. Two shock absorbers are mounted between brackets on axle housing and frame members.

ADJUSTMENT

RIDING HEIGHT

See *Riding Height Adjustments and Specifications* in **WHEEL ALIGNMENT** Section.

REMOVAL & INSTALLATION

SHOCK ABSORBER

Raise vehicle, support rear axle. Remove upper attaching bolts and lower attaching bolt and nut. To install, reverse removal procedure.

COIL SPRING

Raise vehicle, support rear axle with adjustable lifting device. Disconnect shock absorber lower brackets, lower axle, remove springs and insulators. To install, reverse removal procedure.

UPPER CONTROL ARM

Raise vehicle, support rear axle, remove front and rear bolts and remove control arm. To install, reverse removal procedure. **NOTE** — When tightening pivot bolts, car must be at riding height.

LOWER CONTROL ARM

Procedure is same as for upper control arm except that stabilizer bar (if equipped) must be disconnected to remove lower control arm.

BUSHING REPLACEMENT (UPPER & LOWER ARMS)

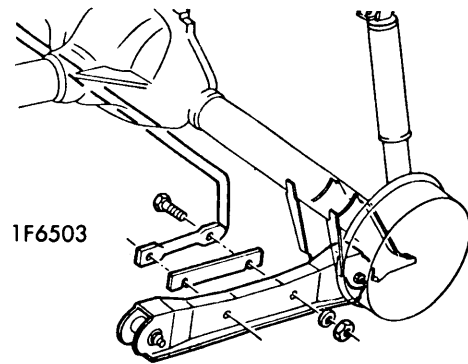
Using suitable tools (J-21474-6, J-23555-3 & J-21474-5) and a press, press small end of bushing into largest hole in control arm until bushing flange seats on control arm.

STABILIZER BAR

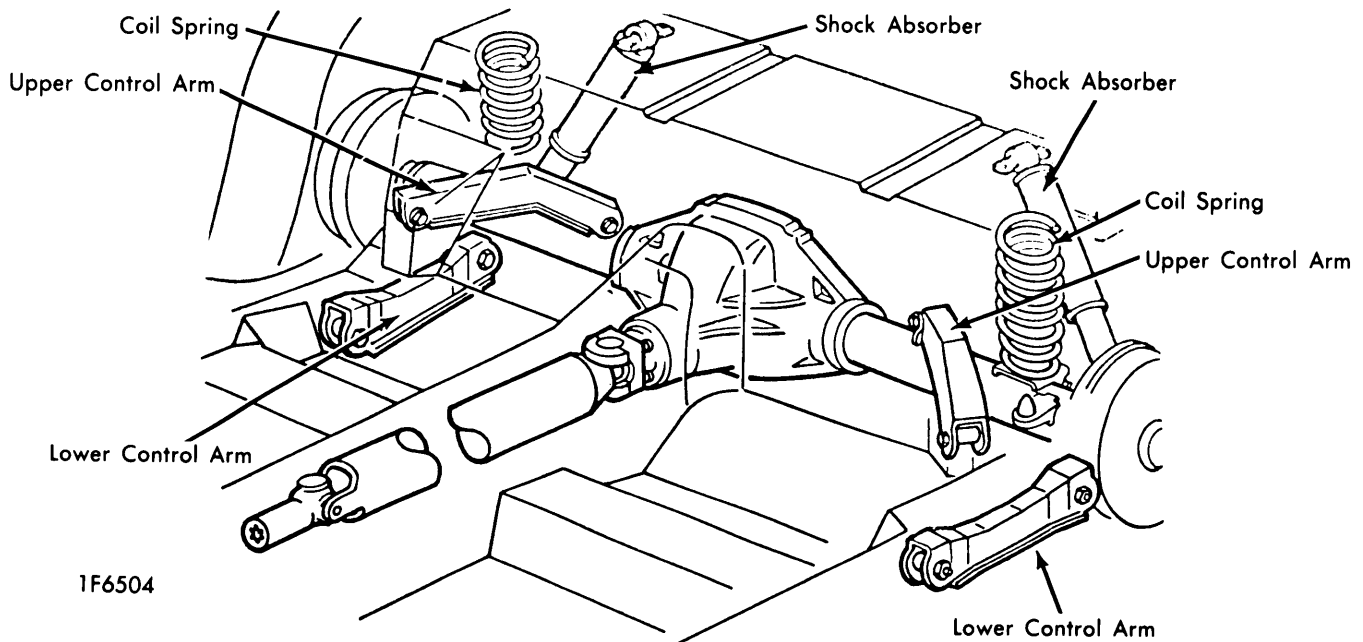
Raise vehicle, remove bolts securing bar to control arms and remove stabilizer. To install, reverse removal procedure adding shims to fill gap between stabilizer and control arms.

TIGHTENING SPECIFICATIONS

Application	Ft. Lbs.
Upper Control Arm	60
Lower Control Arm	80
Shock Absorber (Upper).....	18
Shock Absorber (Lower).....	42 INCH Lbs.
Stabilizer Bolts.....	47



REAR STABILIZER INSTALLATION



REAR SUSPENSION COMPONENTS