

Brake Systems

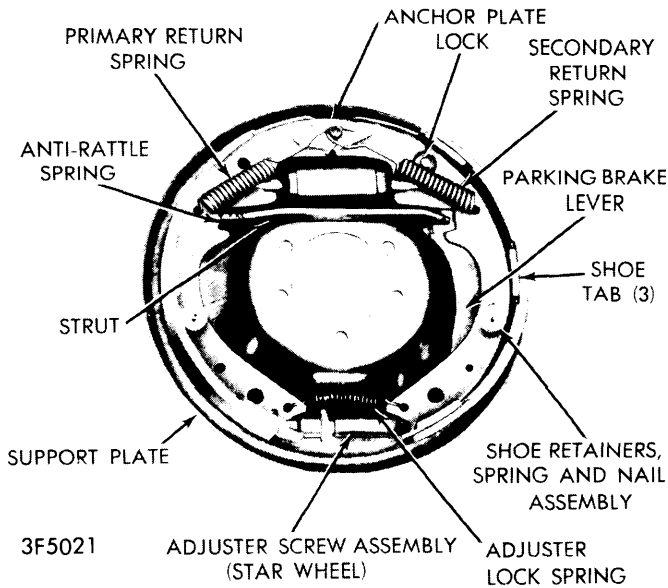
1965-73 BENDIX SINGLE ANCHOR MANUAL ADJUSTER

Chrysler Police & Heavy Duty (1965-73)Ⓛ
 Dodge Police & Heavy Duty (1965-73)Ⓛ
 Plymouth Police & Heavy Duty (1965-73)Ⓛ

Ⓛ — Rear only.

DESCRIPTION

Brakes are duo-servo type. Each brake assembly consists of one wheel cylinder, two brake shoes, manual adjuster screw (star), parking brake lever and strut, anchor plate, and complementing springs and attaching parts. System is used only on rear wheels. Applicable vehicles have front disc brakes.



SINGLE ANCHOR ASSEMBLY

SERVICING

BLEEDING SYSTEM

See *HYDRAULIC BRAKE BLEEDING* in this Section.

SHOE & LINING REPLACEMENT

New lining should be measured and ground .060-.080" (maximum under drum diameter). When replacing shoe and lining assemblies, always check fit in corresponding drum to ensure correct radius grind. This grind should provide at least .004" heel and toe clearance. Brake drum runout should not exceed .006" out-of-round. If drum is not within specifications, drum must be refinished or replaced. **NOTE** — Do not reface more than .060" over standard drum diameter.

NOTE — Correct tightening sequence and torque is of utmost importance to prevent brake drum distortion, and provide efficient brake operation. A crisscross tightening sequence should be used. Tighten all nuts to 30 ft. lbs. then repeat sequence, tightening all nuts to 65 ft. lbs.

ADJUSTMENT

MINOR WEAR ADJUSTMENT

Remove adjusting hole cover on backing plate and turn adjusting star to expand shoes. A slight drag should be felt when wheel is rotated.

PARKING BRAKE ADJUSTMENT

NOTE — Parking brake should be adjusted after wheel brake adjustment. This is to avoid the possibility of the parking brake causing brake drag.

Release parking brake lever and loosen cable adjusting nut until cable is slack. Tighten cable adjusting nut until a slight drag is felt while rotating wheel. Loosen cable adjusting nut until both rear wheels can be rotated freely, then back off cable adjusting nut two full turns. Apply parking brake several times then release and test to ensure wheels rotate freely without dragging.

BRAKE PEDAL ADJUSTMENT

No adjustment. Freeplay controlled by stop built into master cylinder.

1965 BRAKE SYSTEM SPECIFICATIONS

Car Model	Drum Diam.	Wheel Cyl. Diam.		Master Cyl. Diameter	% Braking Power	
		Front	Rear		Front	Rear
Coronet Police Special	11"	1.125"	.8125"	1"	60	40
All Others	11"	1.125"	.9375"	1"	60	40

1965 BRAKE LINING SPECIFICATIONS

Car Model	Drum Diam.	Width		Length		Thickness	
		Front	Rear	Primary	Secondary	Primary	Secondary
Belvedere & Coronet Taxi	11"	3"	2½"	9.25"	12.125"	.188"	.188"
Dodge Station Wagon & Plymouth	11"	3"	2½"	12.125"	12.125"	.188"	.188"
All Others	11"	3"	3"	12.125"	12.125"	.188"	.188"

Brake Systems

1965-73 BENDIX SINGLE ANCHOR MANUAL ADJUSTER (Cont.)

1966 BRAKE SYSTEM SPECIFICATIONS						
Car Model	Drum Diam.	Wheel Cyl. Diam.		Master Cyl. Diameter	% Braking Power	
		Front	Rear		Front	Rear
Dodge Coronet & Plymouth Belvedere	11"	1 1/8"	15/16"	1"	60	40
All Others	11"	1 1/8"	15/16"	1 1/8"	60	40
Disc Brakes	11"	1 1/8"	7/8"	1"	60	40

1966 BRAKE LINING SPECIFICATIONS							
Car Model	Drum Diam.	Width		Length		Thickness	
		Front	Rear	Primary	Secondary	Primary	Secondary
All Station Wagons	11"	2 3/4"	2 1/2"	9 1/4"	12 1/8"	3/16"	1/4"
Dodge Coronet & Plymouth Belvedere	11"	3"	2 1/2"	9 1/4"	12 1/8"	3/16"	1/4"
All Others	11"	3"	3"	9 1/4"	12 1/8"	3/16"	1/4"

1967-69 BRAKE SYSTEM SPECIFICATIONS						
Car Model	Drum Diam.	Wheel Cyl. Diam.		Master Cyl. Diameter	% Braking Power	
		Front	Rear		Front	Rear
Dodge Coronet & Plymouth Belvedere	11"	1 1/8"	15/16"	1"	60	40
All Others	11"	1 1/8"	15/16"	1 1/8"	60	40
Disc Brakes	11"	1 1/8"	7/8"	1"	60	40

1967-69 BRAKE LINING SPECIFICATIONS							
Car Model	Drum Diam.	Width		Length		Thickness	
		Front	Rear	Primary	Secondary	Primary	Secondary
All Station Wagons	11"	⊕ 2 3/4"	⊕ 2 1/2"	9 1/4"	12 1/8"	3/16"	1/4"
Dodge Coronet & Plymouth Belvedere	11"	3"	2 1/2"	9 1/4"	12 1/8"	3/16"	1/4"
All Others	11"	3"	3"	9 1/4"	12 1/8"	3/16"	1/4"

⊕ - 3" for Chrysler Newport, 2 1/2" for Chrysler New Yorker.

Brake Systems

1965-73 BENDIX SINGLE ANCHOR MANUAL ADJUSTER (Cont.)

1970 BRAKE LINING SPECIFICATIONS						
Car Model	Drum Diam.	Wheel Cyl. Diam.		Master Cyl. Diameter	% Braking Power	
		Front	Rear		Front	Rear
Dodge Coronet & Plymouth Belvedere	11"	1 3/16"	15/16"	1"	60	40
All Others	11"	1 3/16"	15/16"	1 1/8"	60	40

1970 BRAKE SYSTEM SPECIFICATIONS							
Car Model	Drum Diam.	Width		Length		Thickness	
		Front	Rear	Primary	Secondary	Primary	Secondary
Dodge Station Wagons	11"	ⓐ 2 3/4"	ⓐ 2 1/2"	9 1/4"	12 1/8"	3/16"	1/4"
Dodge Coronet & Plymouth Belvedere	11"	3"	2 1/2"	9 1/4"	12 1/8"	3/16"	1/4"
All Others	11"	3"	2 1/2"	9 1/4"	12 1/8"	3/16"	1/4"

ⓐ - 3" for Chrysler Newport, 2 1/2" for Chrysler New Yorker.

1971-73 BRAKE SYSTEM SPECIFICATIONS						
Car Model	Drum Diam.	Wheel Cyl. Diam.		Master Cyl. Diameter	% Braking Power	
		Front	Rear		Front	Rear
All Models	11"	1 3/16" ⓐ	15/16"	1 1/32"	60	40

1971-73 BRAKE LINING SPECIFICATIONS							
Car Model	Drum Diam.	Width		Length		Thickness	
		Front	Rear	Primary	Secondary	Primary	Secondary
All Models	11"	3" ⓐ	2 1/2"	9 1/4"	12 1/8"	3/16"	1/4"

ⓐ - Exc. front disc.