

FORD MOTOR CO. (Cont.)

DIRECTIONAL SIGNAL SWITCH & HAZARD FLASHER

All Models – 1) Disconnect battery ground cable. Remove horn pad switch and steering wheel as previously outlined. Remove turn signal switch lever by unscrewing from steering column. Disconnect turn signal switch wiring connector by lifting up on tabs and separating.

2) Remove screws securing switch assembly to column. Remove wires and terminals from steering column wiring connector while using a suitable wire terminal removal tool. Record color code and location of each wire as it is removed. Remove protective wire cover from wiring harness and remove switch and wires through top of column. To install, reverse removal procedure.

IGNITION LOCK CYLINDER

All Models – 1) Disconnect battery ground cable. On non-tilt column models, remove horn pad and steering wheel as previously outlined. Place automatic transmissions in "Park", or manual transmissions in "Neutral".

2) Turn lock cylinder to "ON" position. Insert a $\frac{1}{8}$ " diameter pin or punch in the hole located inside the column near base of

lock cylinder housing on standard column models, or in the hole located on the column housing adjacent to the hazard flasher button on tilt column models.

3) On all models, depress retaining pin with punch and pull on lock cylinder to remove it. To install, reverse removal procedures.

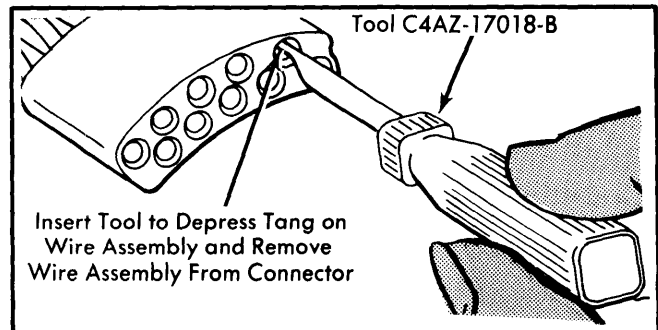


Fig. 1 Removing Wires from Connector Using Wire Terminal Removal Tool

GENERAL MOTORS

Chevrolet
GMC

REMOVAL & INSTALLATION

STEERING WHEEL

Removal ("G" & "P" Models) – Disconnect battery. Remove horn button or pad, receiving cup, Belleville spring, and bushing. Mark steering wheel-to-shaft relationship. Remove

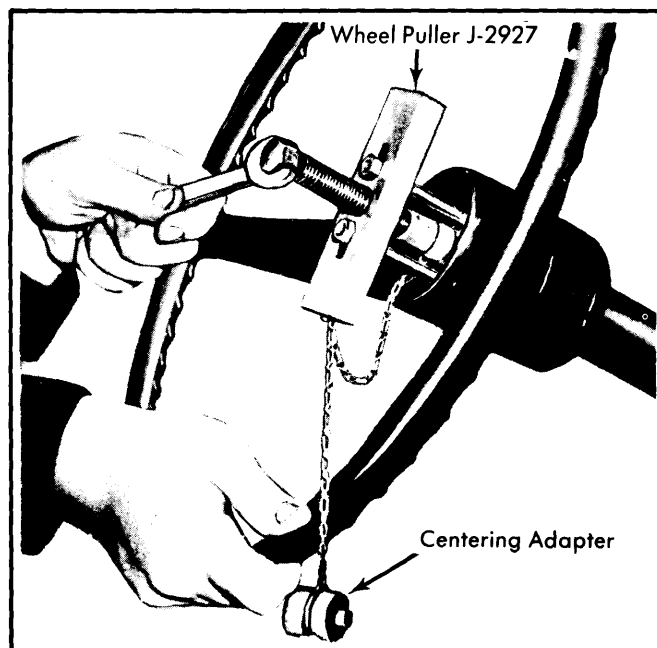


Fig. 1 Removing Steering Wheel Using a Puller

snap ring from steering shaft, then remove nut and washer. Use wheel puller to remove steering wheel.

Installation ("G" & "P" Models) – To install steering wheel, reverse removal procedure while noting the following: Directional signal switch must be in neutral position while installing steering wheel to prevent damage to cancelling cam and switch assembly. Install snap ring after steering wheel retaining nut has been tightened.

Removal ("C" & "K" Models) – Disconnect battery. Remove horn button. Remove snap ring from steering shaft, then remove nut and washer. Use steering wheel puller to remove steering wheel.

CAUTION – Do not hammer on puller while removing wheel.

Installation ("C" & "K" Models) – To install, reverse removal procedures while noting the following: Directional signal switch must be in neutral position while installing wheel to prevent damage to cancelling cam and switch. Install snap ring after steering wheel retaining nut has been tightened.

DIRECTIONAL SIGNAL SWITCH

"G" & "P" Models – 1) Remove steering wheel, signal switch cancelling cam and spring. Remove column-to-panel trim plate if present. Disconnect signal switch wiring harness at half-moon connector. Pry wiring harness protector out of column retaining slots. Mark location of each wire in half-moon connector, then remove each individual wire from connector using suitable tool (J-22727). Insert tool into connector, then push in until tool bottoms. Remove tool and pull wire from connector. Remove directional signal lever screw and remove lever. Push in on hazard warning knob and unscrew to remove knob.

2) On Tilt Columns only, remove automatic transmission selector dial screws (if equipped) and remove dial and indicator. Remove cap and dial illumination light from housing cover. Un-

GENERAL MOTORS (Cont.)

screw and remove tilt release lever. Use suitable puller tool (J-22708) to remove signal housing cover and remove three signal switch mounting screws. Carefully remove switch assembly from column while guiding wire harness through opening in shift lever housing.

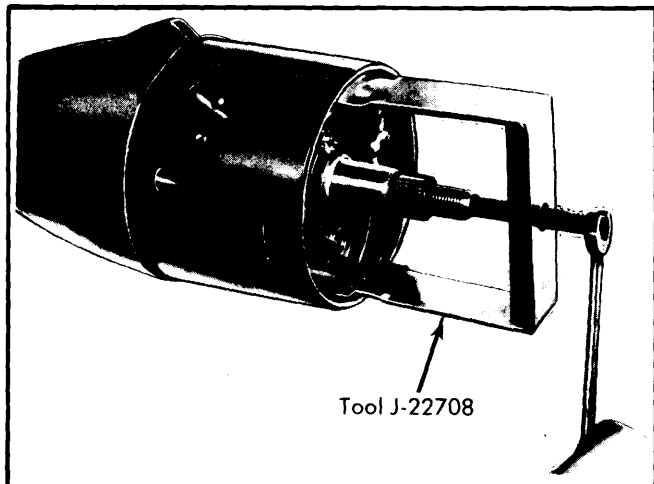


Fig. 2 Pulling Directional Signal Housing Cover for Tilt Column Models

3) To install switch, proceed as follows; Wrap ends of signal switch wires with tape and guide them through the opening at lower left side of bearing housing (Tilt Column) and out the lower end of shift lever housing and under dash seal.

CAUTION — It is extremely important that only specified screws, bolts and nuts be used during reassembly. Use of overlength screws could prevent a portion of column from compressing under impact.

4) Place directional signal switch in mounting position and install screws. Torque screws to 25 INCH lbs. With Tilt Columns align openings in signal switch cover with proper lever positions and tap cover into place. Install tilt release lever. Install automatic transmission selector dial, pointer, dial illumination light and cap (if equipped).

5) Install signal switch lever and hazard warning knob. Bend wire harness connector tabs out of each wire before installing in half-moon connector. Install each wire in its marked location and reconnect signal switch harness. Snap wire harness protector into column retaining slots and install signal canceling cam and spring. Install steering wheel and column-to-instrument panel trim plate (if equipped).

"C" & "K" Models — 1) Remove steering wheel and column-to-instrument panel trim cover. Place screwdriver blade into cover slot and pry up and out to free cover from lock plate. Remove lock plate using suitable compressing tool (J-23653). Screw center post of tool onto steering shaft as far as it will go. Compress lock plate by turning center post nut clockwise. Pry the round wire snap ring out of shaft groove and discard ring. Remove tool and lift lock plate from housing.

CAUTION — If column is being disassembled on bench, be sure that steering shaft does not slide out of lower end of mast jacket.

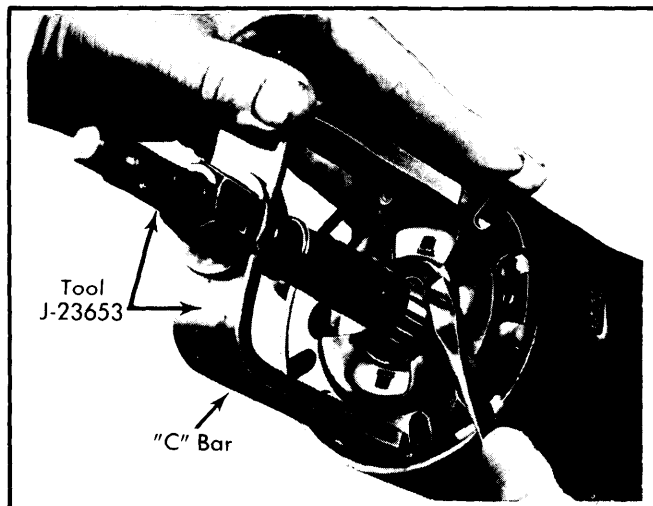


Fig. 3 Depressing Lock Plate for Snap Ring Removal

2) Slide directional signal canceling cam, upper bearing preload spring and thrust washer off shaft end. Remove signal switch lever screw and lever. Push hazard warning knob in and unscrew knob.

3) On standard columns, remove 3 switch mounting screws. Pull the switch harness connector out of column bracket on jacket, and wrap upper part of connector with tape to prevent snagging wires during switch removal.

4) On tilt column models, remove harness cover by pulling toward lower end of column, avoiding damage to wires. Remove 3 switch mounting screws and pull switch straight up, guiding wire harness and cover through column housing.

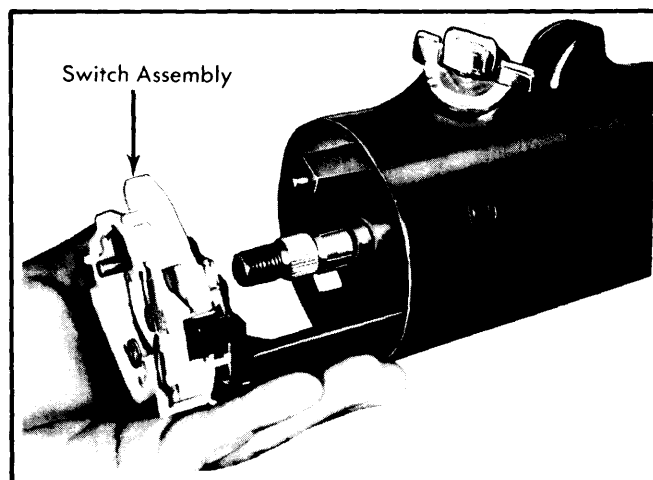


Fig. 4 Pulling Directional Signal Switch from Housing

5) To install switch, proceed as follows: Feed wire harness connector and cover down through housing and under mounting bracket. With all columns except Tilt type, check that wire harness is in protector. With Tilt columns, install cover on harness. Install switch mounting screws and clip connector to bracket on column jacket.

GENERAL MOTORS (Cont.)

6) Install trim plate, hazard warning knob and signal lever. Position directional switch in neutral position and pull warning knob out. Slide thrust washer, upper bearing preload spring and canceling cam onto upper end of shaft.

7) Place lock plate over shaft and attach lock plate compressing tool bolt on shaft. Install a new snap ring over tool bolt, place "C" bar of tool over bolt and compress lock plate by turning tool nut. Slide new snap ring down tool bolt and into shaft groove. Install cover and screws on end of shaft and install steering wheel and components.

NOTE — Always use a new snap ring during reassembly.

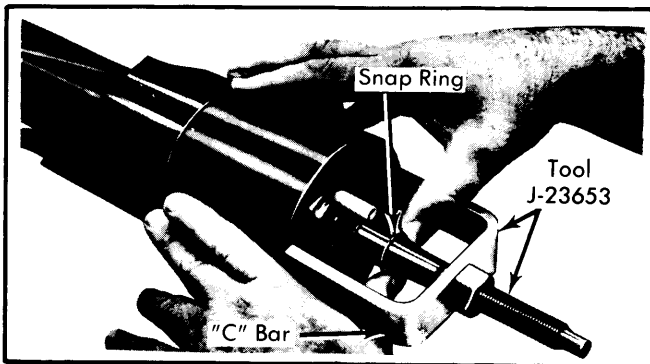


Fig. 5 Installing Lock Plate Snap Ring

HAZARD FLASHER SWITCH

All Models — Hazard flasher switch is integral with directional signal indicator switch. Combination is removed or installed as an assembly. See *Directional Signal Switch* in this Section.

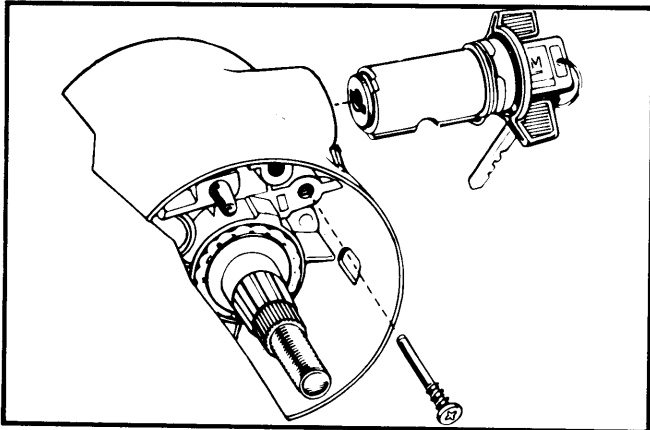


Fig. 6 Lock Cylinder Assembly

STEERING COLUMN LOCK

All Models — 1) Place key in lock cylinder and rotate to "RUN" position. Remove steering wheel and lift directional signal switch up far enough to slip over end of shaft. It is not necessary to remove it entirely.

2) Remove lock retaining screw and lock cylinder.

CAUTION — If screw is dropped during removal, disassembly of column may be required.

IGNITION SWITCH

"C" & "K" Models — 1) To remove ignition switch, steering column must be lowered, but it is not necessary to remove steering wheel. See *Steering Column Removal* in this Section. If steering is not removed from vehicle, support column before proceeding.

2) Place ignition switch in "LOCK" position. If lock cylinder has already been removed, pull up on actuating rod of switch until it stops, then push down one detent. This will position switch in "LOCK" position. Remove two screws, then remove ignition switch.

3) To install, switch and lock cylinder should be in "LOCK" position. With switch in correct position, install activating rod in switch. Install switch on column and tighten mounting screws.

NOTE — Use only specified screws as overlength screws may prevent a portion of column from compressing under impact. Install steering column and check system operation.

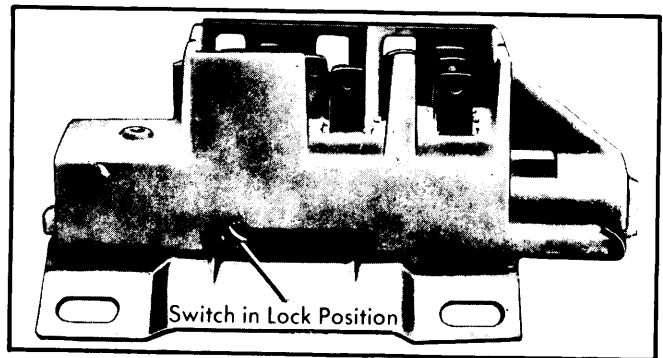


Fig. 7 Ignition Switch Assembly with Switch in Lock Position

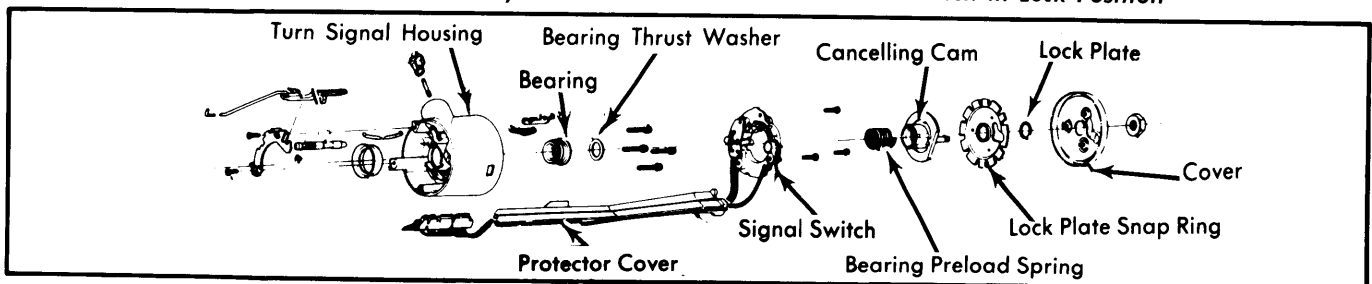


Fig. 8 Exploded View of Standard Steering Column Hub ("C" and "K" Models Shown)