

FORD MOTOR CO. SINGLE ANCHOR

All Models (Rear)

DESCRIPTION

The single anchor duo servo brake assembly consists of a support plate, 2 brake shoes, return springs, automatic adjuster components and a wheel cylinder. The automatic adjuster consists of a cable (with hook and anchor fitting), a cable guide, adjusting lever, adjusting screw, pivot nut, socket and spring. The adjuster uses movement of the secondary shoe during reverse brake application to turn brake adjusting screw and maintain proper lining-to-drum clearance.

ADJUSTMENT & SERVICING

BRAKE SHOE ADJUSTMENT

All Models – 1) Adjustment is made with brake drums at room temperature and parking brakes correctly adjusted. Using a suitable measuring gauge (Rotunda 11-001 for Bronco, 100 and 150 series; 11-002 for 250 and 350 series), measure inside diameter of brake drum. Hold automatic adjuster lever away from adjusting screw. Turn screw until outside diameter of brake shoe surfaces, on a line parallel to vehicle and through center of axle, is equal to drum diameter.

2) Apply a small amount of lubricant at shoe-to-backing plate contact points. Install brake drum and wheel. Complete adjustment by applying brakes several times while driving vehicle in reverse. Check brake operation by making several stops while driving forward.

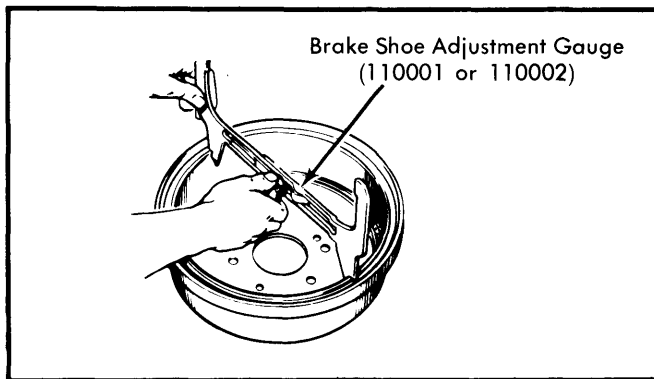


Fig. 1 Measuring Brake Drum Diameter

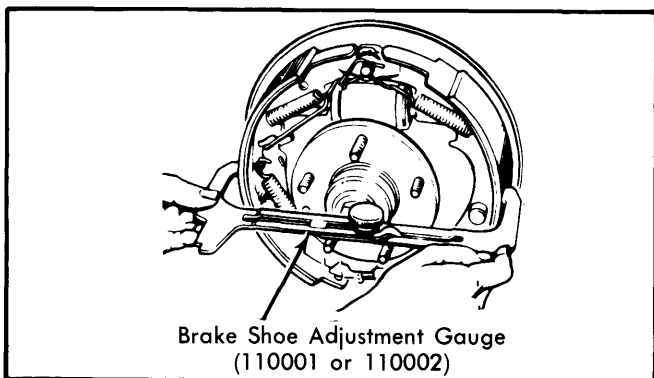


Fig. 2 Measuring Brake Shoe Diameter

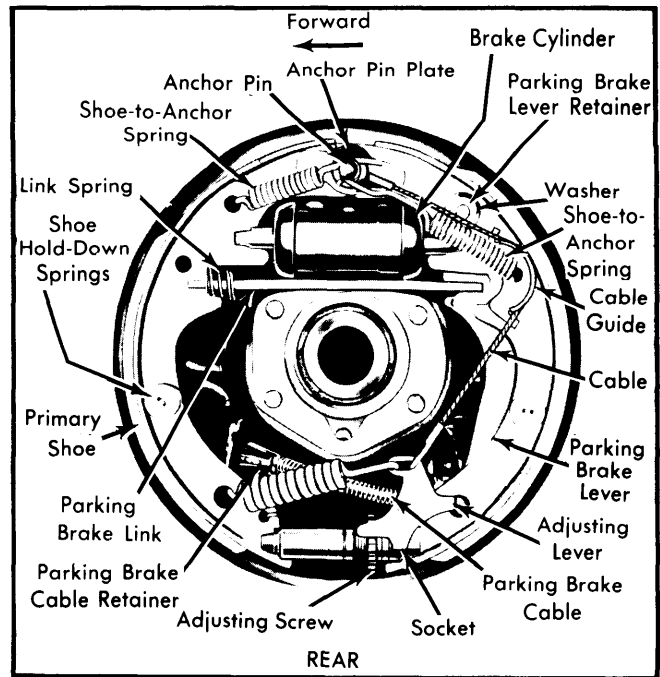


Fig. 3 Sectional View of Brake Assembly 100, 150 Bronco

PARKING BRAKE ADJUSTMENT

- 1) Depress parking brake 2 notches. Attach a suitable cable tension gauge (Rotunda 210018) to left parking brake cable.
- 2) Adjust cable until tension on gauge reads 250 pounds. Hold for 5 minutes then release pedal. Back off equalizer nut until gauge reads zero.
- 3) Adjust equalizer nut until specified tension is registered on gauge. Remove gauge and release parking brake.
- 4) If rear wheel brake drag is noted on 250 or 350 series, remove rear drum and check clearance between parking brake lever and cam plate.
- 5) Clearance should be .015" with brakes released. Readjust parking brake if clearance is not to specification.
- 6) Now place parking brake pedal in full released position. Check slack in rear cable. Cables should be tight enough to allow application of parking brakes, but loose enough not to ensure complete release of brake shoes.

Brake Cable Tension

Application	Tension
"F" Models & Bronco	80 Lbs.
"E" Models	60 Lbs.

BLEEDING SYSTEM

See Hydraulic Brake Bleeding in this Section.

FORD MOTOR CO. SINGLE ANCHOR (Cont.)

REMOVAL & INSTALLATION

BRAKE SHOES

Removal (Bronco, 100 & 150 Series) – 1) Remove wheel and drum. Place a suitable clamp over ends of wheel cylinder. Disengage adjusting lever from adjusting screw by pulling backward on lever.

2) Move outboard side of adjusting screw up and back off pivot nut as far as possible. Pull adjusting lever, cable and automatic adjuster spring down and toward rear to unhook pivot hook from large hole in secondary shoe.

NOTE – Do Not pry pivot hook from hole.

3) Remove automatic adjuster spring and adjusting lever. Remove shoe to anchor springs, cable anchor and anchor pin plate.

4) Remove cable guide, shoe hold-down springs, shoes, adjusting screw, pivot nut and socket. Remove the parking brake spring and link.

5) Disconnect parking brake cable from lever. Remove secondary shoe and disassemble parking brake lever from shoe by removing retaining clip and spring washer.

Installation – To install, reverse removal procedure, making sure: Adjusting cable is in groove of cable guide, cable does not bind on anchor pin and adjusting screw is mounted on correct side. If adjusting screw is mounted on wrong side, automatic adjuster will operate incorrectly.

Removal (250 & 350 Series) – 1) Remove wheel and brake drum. Remove parking brake lever assembly. Remove adjusting cable assembly from anchor pin, cable guide and adjusting lever.

2) Remove brake shoe return springs, hold down springs and brake shoes. Remove and disassemble adjusting screw assembly.

Installation – Apply a light coat of high temperature grease to contact points of brake assembly and reverse removal procedure.

WHEEL CYLINDER

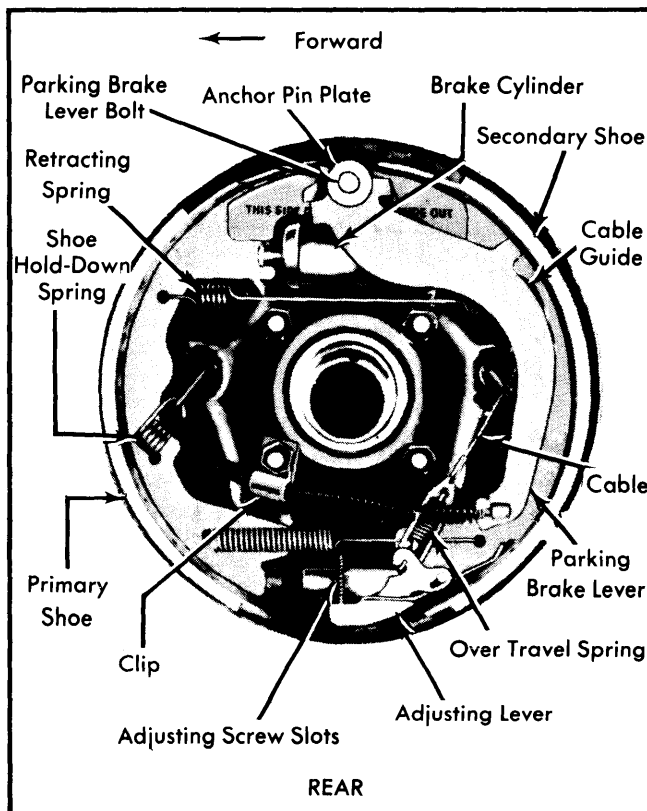
Removal & Installation – Remove wheel, drum and brake shoes. Remove cylinder connecting links and disconnect hydraulic brake line from cylinder. Remove brake cylinder retaining bolts and remove cylinder from backing plate. To install, reverse removal procedure. Adjust brakes and bleed hydraulic system.

OVERHAUL

WHEEL CYLINDERS

Disassembly – With wheel cylinder removed from vehicle, remove rubber boots from ends of cylinders. Remove piston return spring, cylinder cups and piston from cylinder. Remove bleeder screw and inspect cylinder bore for damage.

Reassembly – If bore of cylinder is lightly pitted or scratched, hone or replace as necessary. Soak all parts in suitable brake fluid or assembly lubricant and reverse disassembly procedure. Clamp brake cylinder pistons against ends of cylinder.



**Fig. 4 Sectional View of Brake Assembly
250 and 350 Series**

TIGHTENING SPECIFICATIONS

Application	Ft. Lbs.
Front Backing Plate-to-Spindle	
$\frac{7}{16}$ "-14	30-50
$\frac{1}{2}$ "-13	55-70
$\frac{1}{2}$ "-20	55-75
Rear Backing Plate-to-Axle	
$\frac{7}{16}$ "-14	35-45
$\frac{1}{2}$ "-13	75-105
$\frac{1}{2}$ "-20	50-70
Hydraulic Tube Nuts	
$\frac{3}{8}$ "-24	10-15
All Others	10-17

Brake Systems

10-47

FORD MOTOR CO. SINGLE ANCHOR (Cont.)

BRAKE SYSTEM SPECIFICATIONS				
Application	Drum Diam.	Drum Width	Wheel Cylinder Piston Diameter	Master Cylinder Piston Diameter
U-150 (Bronco)	11"	2 ¹ / ₄ "	15 ⁵ / ₁₆ "	1"
E-100 & 150	11"	2 ¹ / ₄ "	15 ⁵ / ₁₆ "	1"
E-250	12"	2 ¹ / ₂ "	1"	1 ¹ / ₁₆ "
E-350	12"	3"	1 ¹ / ₁₆ "	1 ¹ / ₁₆ "
F-100 & 150 (4x2 & 4x4)	11"	2 ¹ / ₄ "	15 ⁵ / ₁₆ "	1"
F-250 (4x2 & 4x4)	12"	2 ¹ / ₂ "	1"	⊙ 1"
F-350	12"	3"	1 ¹ / ₁₆ "	1 ¹ / ₁₆ "
F-350 (4x4)	12"	2 ¹ / ₂ "	1"	1 ¹ / ₁₆ "

⊙ — 1¹/₁₆" for models equipped with dual piston front calipers.