

Front Suspension

IHC LEAF SPRING TYPE

MS1210
1310 MHC

DESCRIPTION

"I" beam axle, with conventionally mounted semi-elliptical leaf springs is of reverse Elliot type. Solid, constant diameter kingpins are mounted in bronze (early models) or nylon (late models and service replacement units) bushings. Steering knuckle thrust bearings or bronze washers, located between knuckle and lower face of axle, support the entire front end load.

ADJUSTMENT

STEERING STOP SCREW

See *Steering Stop Screw* in **STEERING** Section.

WHEEL ALIGNMENT SPECIFICATIONS & PROCEDURES

See *Wheel Alignment Specifications & Procedures* in **WHEEL ALIGNMENT** Section.

WHEEL BEARING ADJUSTMENT

See *Wheel Bearing Adjustment* in **WHEEL ALIGNMENT** Section.

REMOVAL & INSTALLATION

STEERING KNUCKLE

Removal — Raise and support vehicle under frame, and remove wheel. Remove grease cap, spindle nut cotter pins, and

spindle nut. Remove hub, inner bearing, and grease retainer from spindle. Remove brake backing plate, and steering knuckle kingpin draw keys. Remove caps from top and bottom of steering knuckle, and drive out kingpin. Remove steering knuckle, and spacer shims from vehicle.

Installation — To install, reverse removal procedure, making sure kingpin clearance, wheel alignment, and wheel bearing adjustment are correct. See *Kingpin Replacement, Wheel Alignment, and Wheel Bearing Adjustment*.

KINGPIN BUSHING

Removal — **NOTE** — Replacement procedures for both bronze and nylon bushings are similar, except no special tools or fitting are required for nylon bushings. With steering knuckle removed from vehicle, press bushings out of knuckle. Clean bushing bores in steering knuckle, using medium grit abrasive cloth.

Installation — **NOTE** — Nylon bushings do not require reaming. Using an arbor press, install new bushings in steering knuckles, ensuring grease holes in bushings are in line with lubricating holes in knuckle. Line bore, or wet hone new bushings to correct inside diameter. **CAUTION** — If reamer is used, it should pilot in one bushing while reaming the other, or be long enough to ream both bushings at once.

Kingpin Specifications

Application	Kingpin Diameter	Bushing Inside Diameter
Short Kingpin (5 $\frac{1}{16}$ ").....	.860-.861"8615-.8625"
Long Kingpin (6 $\frac{1}{4}$ ").....	1.109-1.110"	1.110-1.111"

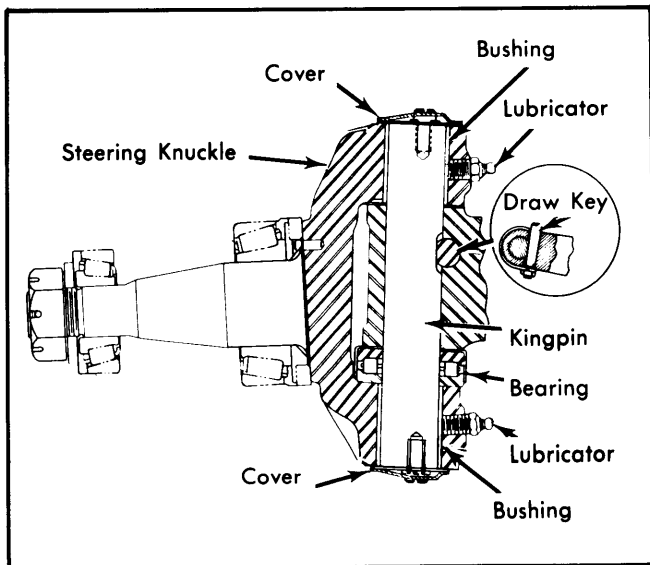


Fig. 1 Steering Knuckle W/Thrust Bearing

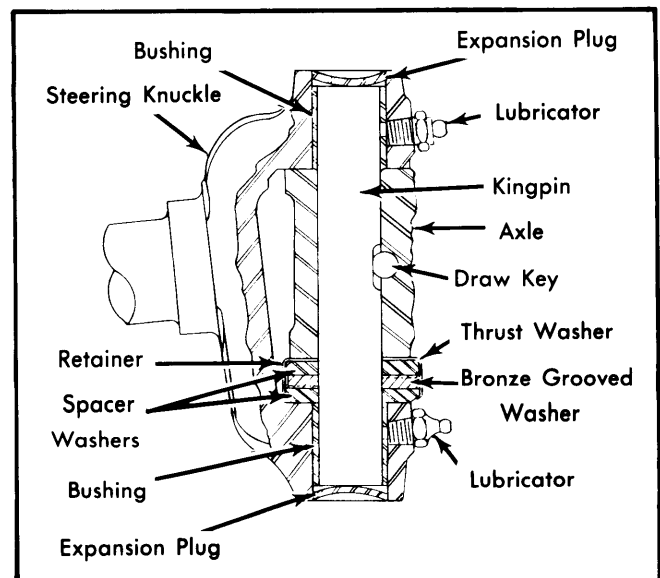


Fig. 2 Steering Knuckle W/Thrust Washer