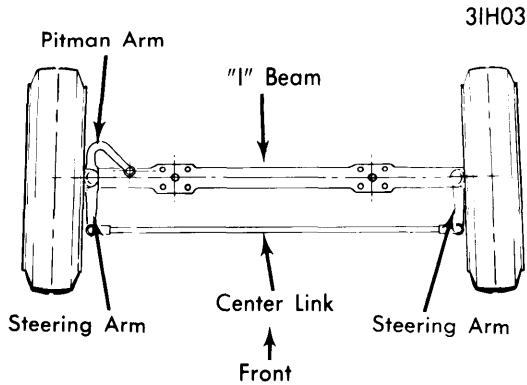


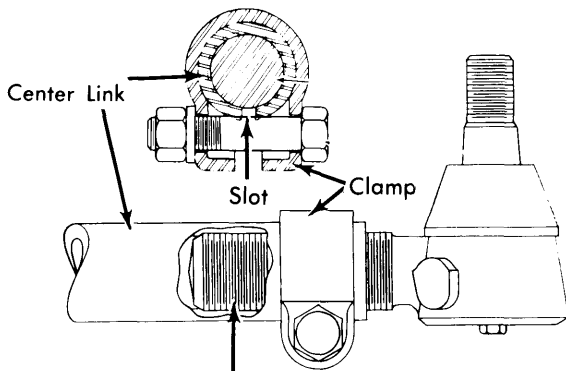
INTERNATIONAL HARVESTER

MS1210, 1310MHC, 1510 MHC

Center Link Ends - When ball joint assemblies are replaced, they must be threaded into center link sufficiently so that when clamp is applied, clamping action will be directly over threads on ball joint assembly (see illustration).



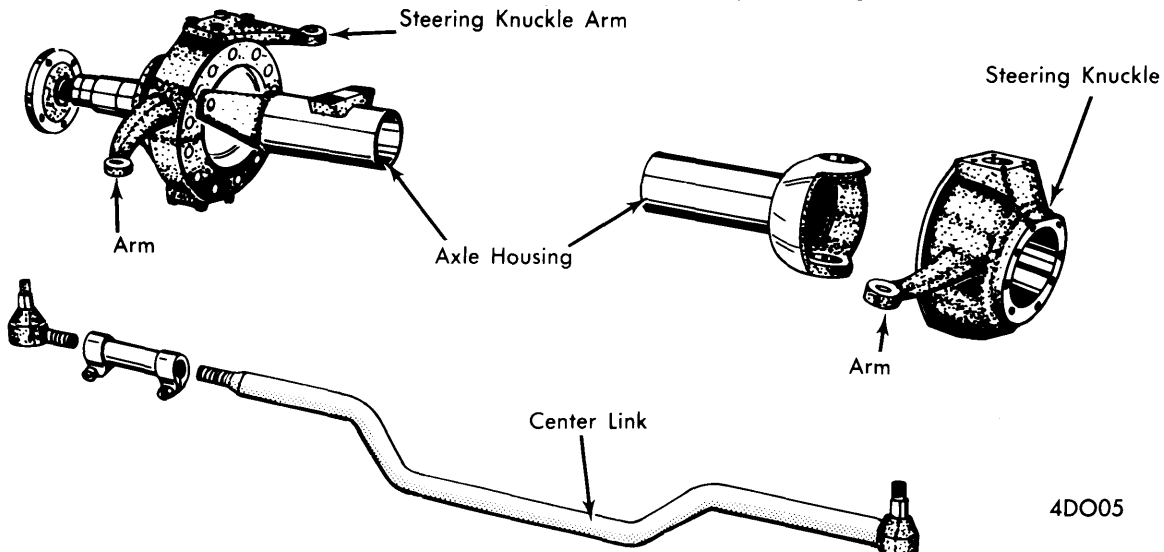
MS & MHC STEERING LINKAGE



Threaded Portion Must Extend Beyond Clamp

31H02

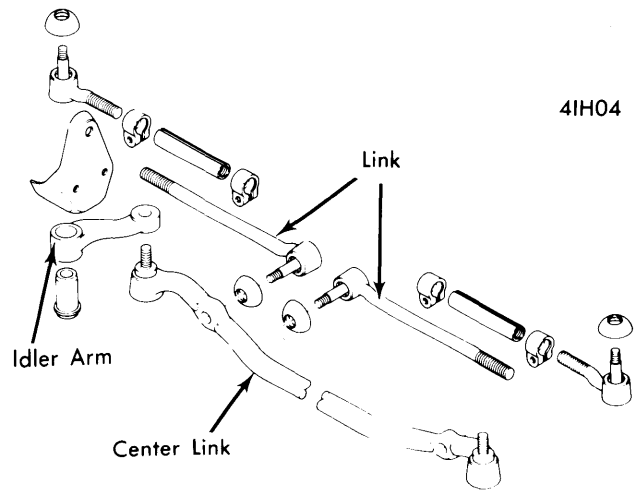
DETAIL OF CENTER LINK ENDS



**STEERING LINKAGE
4-WHEEL DRIVE**

150 & 200

Ball Joint Lubrication - Remove plugs; lubricate under low pressure. Too much pressure will damage oil seals. In off-the-road operation where mud or water is encountered, lubricate more frequently.



150 & 200 STEERING LINKAGE

ALL MODELS WITH 4-WHEEL DRIVE

Ball Joint Replacement - Upper or lower ball joint replacement requires removal or disassembly of steering knuckle. See *Open Steering Knuckles in Drive Axle Section*.

4DO05