

JEEP SINGLE ANCHOR – CABLE ADJUSTER

CJ-Series

DESCRIPTION

Automatic adjuster brakes are two-shoe, self-centering, type with brake shoe anchor at upper end of shoes above wheel cylinder. Single cylinder is double acting. Rear units contain linkage for cable operated parking brake. Automatic adjustment device is cable operated.

ADJUSTMENT & SERVICING

BRAKE SHOE ADJUSTMENT

Brake shoes adjust automatically as brakes are applied when vehicle is operated in reverse. Brake shoes can be manually adjusted by rotating adjuster screw using a suitable tool. Remove access slot cover. Using a small blade screwdriver, push in on adjustment lever to separate from adjustment screw. Turn adjustment screw until brake drum is locked tight, then back off screw 15 to 20 notches. Brake shoes may also need to be backed off a few notches to remove brake drum.

PARKING BRAKE ADJUSTMENT

Rear Wheel Integral – Adjustment is not necessary in normal service; automatic service brake adjustments also adjust parking brake. In case of brake overhaul or to compensate for stretched cables, adjust as follows: Check first for binds, kinks, or any frayed condition of cables. Check to see brake shoes are in proper adjustment before proceeding. Release parking brake. Loosen lock nuts at equalizer under vehicle. Tighten cables until wheels, when rotated by hand, have a slight drag from shoes. Loosen cables until wheels rotate freely and no drag is felt. Tighten lock nut and check operation of parking brake.

BLEEDING SYSTEM

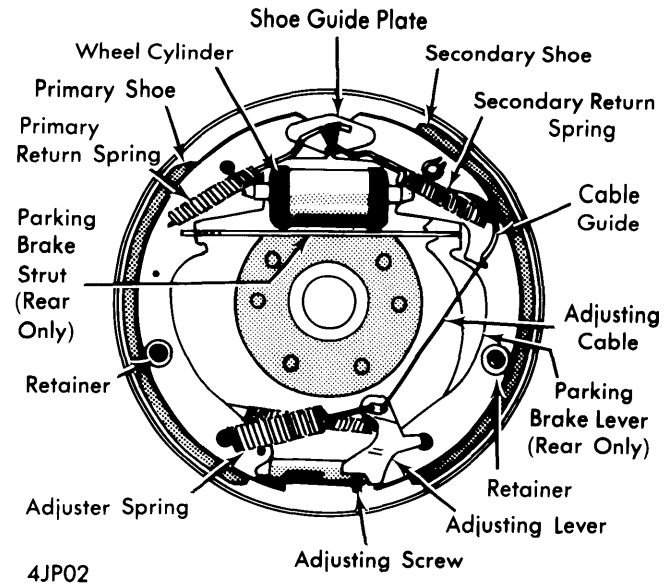
See *Hydraulic Brake Bleeding in this Section*.

REMOVAL & INSTALLATION

BRAKE SHOES

Removal – 1) Raise and support vehicle and remove wheels and drums. Grasp adjusting lever with pliers and remove tang from hole in secondary shoe. Place clamping device over wheel cylinder to retain pistons during further disassembly.

2) Remove secondary return spring, adjuster cable, primary return spring, cable guide, adjuster lever, and adjuster springs. Remove holddown springs and brake shoes. On rear brakes, disengage parking brake cable from parking brake lever.



BRAKE ASSEMBLY (TYPICAL)

Installation – 1) Lubricate backing plate ledges, anchor pin, self-adjusting cable guide, adjuster screw threads, and pivot with molydisulphide grease or NLGI No. 2 chassis lubricant. Lubricate parking brake cable lever located on rear wheel secondary shoes. Position brake shoes on brake support plate and install holddown springs.

2) Place adjuster cable eyelet on anchor pin and install primary return spring. Position cable guide and install secondary return spring. Install adjuster screw assembly, then place small hooked end of adjuster spring in large hole in primary shoe and place large hooked end of adjuster spring in adjuster lever. Place hooked end of adjuster cable over cable guide. Grasp adjuster lever with pliers and hook adjuster lever tang in large hole in bottom of secondary shoe.

3) Initially adjust brakes so that approximately 3/8" of threads are exposed between star wheel and star wheel nut. Install drums and, if brake lines were disconnected, bleed system. Install wheels, lower vehicle, and, driving in forward and reverse, make 10-15 brake applications to adjust and balance brake system. Road test vehicle.

WHEEL CYLINDER

Removal & Installation – Disconnect brake line but do not bend it away from cylinder. When cylinder is moved away from backing plate, line will separate easily. Remove cylinder mounting bolts and remove cylinder. To install, reverse removal procedure.

Brake Systems

JEEP SINGLE ANCHOR – CABLE ADJUSTER (Cont.)

OVERHAUL

WHEEL CYLINDER

NOTE – Vehicle manufacturer recommends that cylinders NOT be honed.

Disassembly & Reassembly – Remove dust caps and push pistons, cups, and spring out of cylinder bore. Clean all metal parts with brake fluid. Light discoloration may be polished with crocus cloth only. Do not use cloth in lengthwise motion in and out of cylinder; polish with circular motions with cloth wrapped around end of finger. Lubricate bore of cylinder with clean brake fluid and reassemble.

TIGHTENING SPECIFICATIONS	
Application	Inch Lbs.
Bleeder Screw 1/4 -28	30-90
Bleeder Screw 5/16 -24	40-140
Brake Line	120-200
Application	Ft. Lbs.
Front Brake Backing Plate	35-55
Rear Brake Backing Plate	35-55
BRAKE SPECIFICATIONS	
Drum Radial Runout005"
Drum Lateral Runout035"
Maximum Oversize	11.060"

BRAKE SYSTEM SPECIFICATIONS				
Application	Drum Diam.	Wheel Cylinder Diameter		Master Cylinder
		Front	Rear	Diameter
CJ Models	11"	1 1/8"	15/16"	1"