

GENERAL MOTORS SLIDING CALIPER DISCS

Chevrolet (All Models W/Hydro-Boost)
GMC (All Models W/Hydro-Boost)

DESCRIPTION

Sliding caliper disc brake assembly uses a single piston caliper mounted to a one piece steering knuckle, steering arm, and supporting member. As brake pedal is depressed, hydraulic pressure is passed to brake caliper piston. This force is transmitted to inboard disc pad and against inner braking surface. As force increases against inner side, caliper slides inward, providing vise-like clamping action on rotor.

ADJUSTMENT & SERVICING

DISC PAD ADJUSTMENT

Pad wear is automatically compensated for by piston moving outward in cylinder bore; therefore, no disc pad adjustment in service is required. *NOTE* — Inspect condition of disc pads whenever wheels are removed. If any pad is worn to within $\frac{1}{32}$ " of rivet heads, replace complete set.

BLEEDING SYSTEM

See *Hydraulic Brake Bleeding in this Section.*

DISC BRAKE PADS

Removal — 1) To prevent master cylinder overflow when caliper piston is depressed, remove 2/3 of the brake fluid from master cylinder. Raise vehicle and remove front wheel. Place a large C-clamp on caliper and tighten clamp to bottom piston in cylinder bore. Remove clamp.

2) Remove key retaining screw, then, using a brass rod and light hammer, drive out caliper support key and caliper support spring. Remove caliper from knuckle by pushing it downward against knuckle and rotating upper end upward and away from knuckle. *CAUTION* — Lay caliper on tie rod or support with wire. Do not let caliper hang with its weight on brake hose.

3) Remove outer disc pad from caliper. It may be necessary to tap pad to loosen pad flange from caliper. Remove inner disc pad from steering knuckle assembly, then remove pad anti-rattle clip from knuckle.

Installation — 1) Lubricate caliper and steering knuckle sliding surfaces with silicone lubricant. Install new anti-rattle clip in knuckle. Place lower end of inner pad into knuckle and against anti-rattle clip, then slide upper end of pad into position. Be sure clip is still in correct position.

2) With caliper piston fully bottomed in cylinder bore, position outer pad on caliper and press pad tabs into place. If pad cannot be properly positioned by hand, use a large C-clamp, being careful not to mar lining.

3) Install caliper on knuckle by pivoting caliper around upper mounting surface. While holding caliper against upper surface of knuckle, install new caliper support spring and new caliper support key. Using soft hammer, drive key and spring into position, then install key retaining screw. Refill master cylinder and lower vehicle.

BRAKE CALIPER

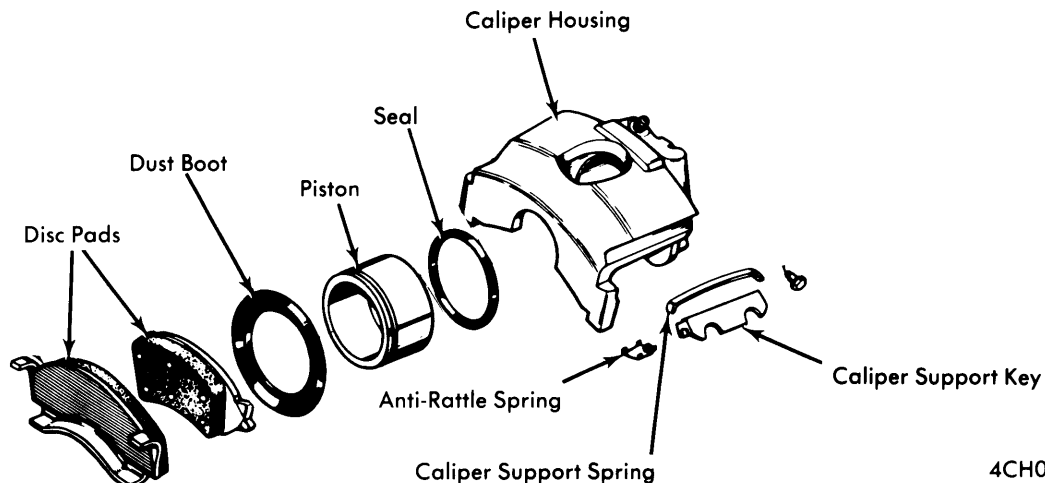
Removal & Installation — Caliper removal and installation procedures are same as for disc pad replacement, except it will be necessary to disconnect brake hose.

OVERHAUL

BRAKE CALIPER

Disassembly — 1) With caliper assembly clean, to prevent contamination, remove plug from caliper inlet port and drain fluid from caliper housing. Place caliper assembly on bench with piston side up and place several shop towels between piston and outer legs of caliper housing.

2) Slowly and carefully apply air pressure to caliper inlet port until piston comes out of caliper housing. *CAUTION* — Use low air pressure to remove piston. High pressure may cause piston to pop out with considerable force. If piston is seized, tap lightly on end of piston with soft-faced hammer to free piston.



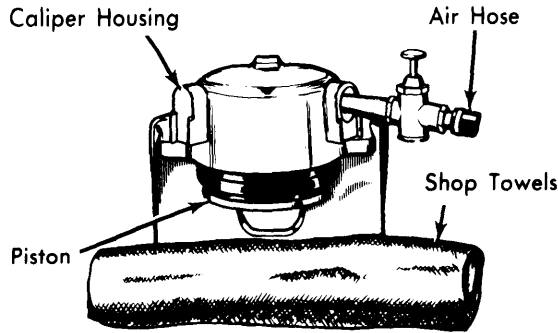
4CH01

SLIDING CALIPER ASSEMBLY

Brake Systems

GENERAL MOTORS SLIDING CALIPER DISCS (Cont.)

3) Remove boot from piston and seal from cylinder bore. Clean caliper housing and piston with denatured alcohol. Check cylinder bore, seal groove, and boot groove for damage and excessive wear. Replace piston if pitted.



REMOVING CALIPER PISTON

4CH02

Reassembly — To assemble caliper, soak all parts in suitable brake fluid and reverse disassembly procedure. Use large C-clamp to seat piston in cylinder bore.

DISC ROTOR

Lateral Runout — Adjust wheel bearings until all endplay is eliminated. Attach dial indicator with contact tip of indicator on braking surface approximately one inch from rotor edge. Set indicator to zero and turn rotor through one complete revolution, noting indicator reading.

Parallelism — Check thickness of rotor at four or more points around circumference of rotor. Make all measurements at same distance from edge of rotor. If thickness variation is excessive, refinish or replace rotor as necessary.

TIGHTENING SPECIFICATIONS

Application	Ft. Lbs.
Brake Hose-to-Caliper.....	22
Support Key Retaining Screw.....	18
Application	Inch Lbs.
Hydraulic Line-to-Brake Hose	150
Bleeder Valve Screws	100

DISC BRAKE ROTOR SPECIFICATIONS

Application	Disc Diameter	Lateral Runout	Parallelism	Original Thickness	Minimum Refinish Thickness	Discard Thickness
Chevrolet & GMC ①	14.25"	.005"	.0005"	1.530"	1.480"	1.465"

① — All Models with hydro-boost.