

BENDIX HYDRO-BOOST

Chevrolet
GMC

DESCRIPTION

System utilizes power steering pump fluid pressure to operate booster. Assembly contains an open center spool valve which controls pump pressure magnitude during braking, a lever mechanism to control position of valve, and a boost piston to provide force necessary to operate master cylinder. Unit also has a reserve system which stores sufficient fluid under pressure to provide at least two braking applications in case fluid flow from power steering pump is not available. Brakes can also be applied manually if reserve system is depleted.

OPERATION

RELEASED POSITION (NO BRAKING)

In this position, spool valve return spring holds spool valve open. In open position, spool valve provides unrestricted fluid flow between power steering pump and power steering gear. Fluid pressure is blocked from entering boost pressure chamber by lands on spool valve. As fluid pressure increases with steering demand, it has no effect on boost pressure chamber. Boost pressure chamber is vented through spool valve, to pump return port, and back to power steering pump.

BRAKING POSITION

As brake pedal is depressed, it moves pedal rod and initiates movement of spool valve. This closes fluid return port to pump from boost chamber, and admits fluid into boost chamber from pressure port. Additional valve movement restricts flow between pump and steering gear, causing pump to increase fluid pressure to maintain flow rate to steering gear. As fluid pressure increases in boost chamber, it forces piston forward

actuating master cylinder piston, resulting in brake application. If fluid pressure is required for steering while braking, pump pressure will rise and spool valve will shift in an open direction allowing more fluid to flow to steering gear.

RESERVE SYSTEM

1) System consists of a charging valve, accumulator valve, and a spring loaded accumulator. Accumulator is integral with booster unit on "C" models and is mounted separately on all remaining models equipped with this unit. System is open to pressure port of booster unit. Charging valve has an orifice and ball check. Fluid from pump passes through orifice in valve, and if pressure exceeds pressure in accumulator, it unseats ball check valve and enters accumulator. Ball check valve prevents reverse flow when accumulator pressure is greater than pump pressure.

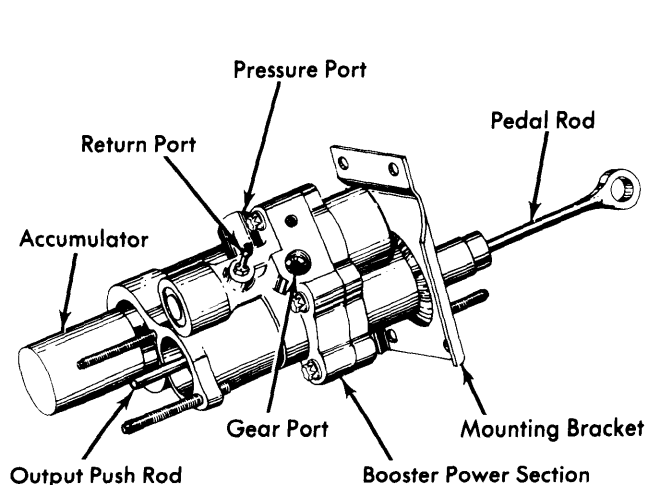
2) Accumulator valve is a poppet type valve held closed by pressure stored in accumulator. An actuator on spool valve sleeve opens accumulator valve when a stop with no pump pressure is made that requires use of reserve pressure. Fluid pressure can also enter accumulator from boost chamber through accumulator valve, when boost chamber pressure exceeds accumulator pressure. A pressure relief valve vents accumulator to pump return port when pressure in accumulator exceeds approximately 1600 psi.

TESTING

NOTE — Hydroboost cannot cause noisy brakes, fading brake pedal, or pulling brakes. If one of these conditions exists, other components of brake system are at fault.

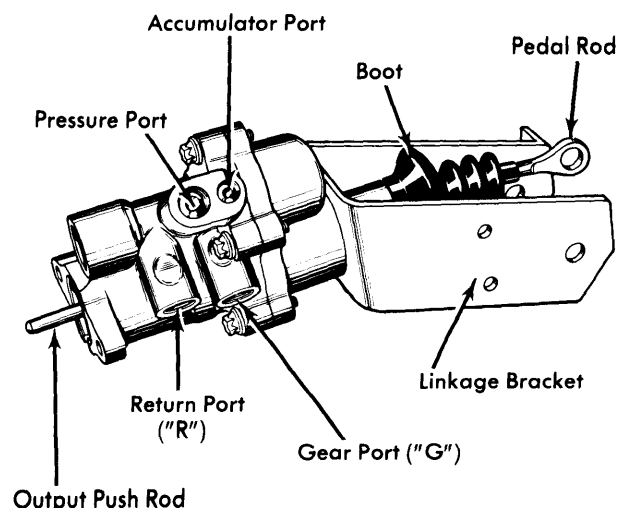
PRELIMINARY CHECKS

Check fluid levels in master cylinder and power steering pump. Check power steering pump belt tension, and adjust if



5CH08

**BENDIX HYDRO-BOOST ASSEMBLY
(WITH INTEGRAL ACCUMULATOR)**



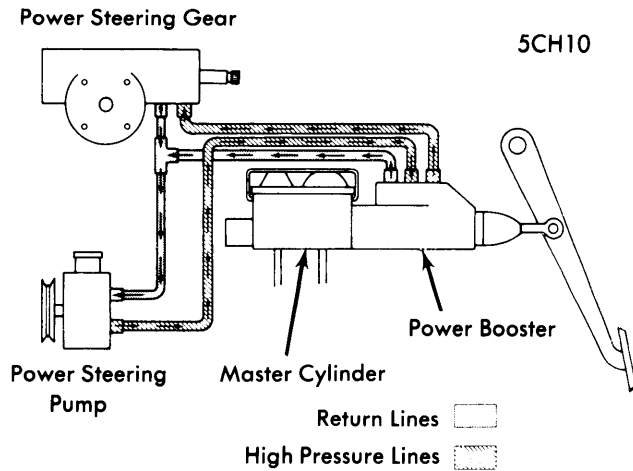
5CH09

**BENDIX HYDRO-BOOST ASSEMBLY
(WITH EXTERNAL ACCUMULATOR)**

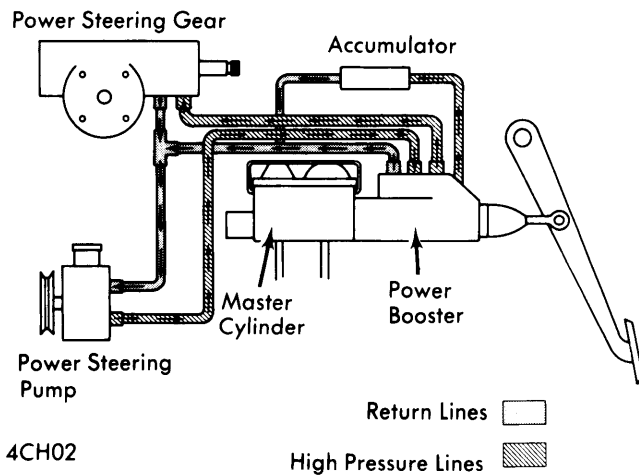
BENDIX HYDRO-BOOST (Cont.)

necessary. Inspect all power steering hoses for leaks or kinks. If fluid smells burned, check hoses or cooler for restrictions. Check and adjust engine idle speed. Check power steering hydraulic fluid for aeration (shown by bubble in fluid), bleed system if necessary.

NOTE — If problem cannot be found in preliminary steps, make following tests. If unit is found to be operating properly, check areas of brake system that might cause condition. See *Hydraulic Brake Trouble Shooting* in this section.



**HYDRO-BOOST FLUID FLOW CHART
(WITH INTERNAL ACCUMULATOR)**



**HYDRO-BOOST FLUID FLOW CHART
(WITH EXTERNAL ACCUMULATOR)**

HYDROBOOST FUNCTIONAL TEST

Check hydraulic brake system for leaks or insufficient fluid in master cylinder reservoir. With transmission in Neutral, stop engine and apply brake pedal several times to deplete all accumulator reserve. Hold brake pedal depressed with medium pressure (approx. 25-35 lbs.) and start engine. If unit is operating correctly, brake pedal will fall slightly and then push back against foot. If no action is felt, hydraulic booster system is not operating.

ACCUMULATOR LEAKDOWN TEST

1) Start engine and operate at idle speed. Turn steering wheel to either "Stop" and hold in this position for a maximum of five seconds. Return steering wheel to center position and turn off engine. Depress and release brake pedal. Repeat procedure until a hard pedal is obtained. There should be at least two power assisted brake applications with 20-25 lbs. pressure applied to brake pedal.

2) Restart engine and let it idle. Turn steering wheel to either "Stop". There should be a light hissing sound as accumulator is charged. Hold steering wheel lightly against "Stop" for a maximum of five seconds. Return steering wheel to center position and turn off engine. Wait one hour and apply brake pedal (DO NOT re-start engine before applying brake). There should still be at least two power assisted brake applications at 20-25 lbs. pressure before a hard pedal is encountered.

NOTE — If Hydroboost is not functioning, insure power steering system is operating normally before replacement or overhaul of Hydroboost unit.

REMOVAL & INSTALLATION

Removal — 1) Depress and release brake pedal several times to be sure that all pressure is discharged from accumulator prior to disconnecting hoses from booster. Raise Motor Home Chassis on hoist; all others, leave on ground. Clean all dirt from booster at hydraulic line connections and master cylinder. Remove nuts that secure master cylinder to booster and support bracket. Support master cylinder, and cover exposed end with clean cloth.

NOTE — In most cases, it is not necessary to disconnect master cylinder hydraulic lines to remove booster unit.

2) On all models except Motor Home Chassis, remove booster pedal push rod cotter pin and disconnect push rod from brake pedal ("C" models) or from booster bracket pivot lever ("G" & "P" models). Remove booster support bracket ("C" models) or support braces ("G" & "P" models). Remove booster bracket-to-firewall or support bracket nuts and remove booster assembly.

3) On Motor Home Chassis, remove cotter pin, nut and bolt that secure operating lever to vertical brake rod. Remove the six nuts and bolts that secure booster linkage bracket to front and rear support brackets, and remove booster from vehicle by sliding booster off rear support studs. Remove cotter pin, nut, and bolt that secures operating lever to pedal rod. Remove brake pedal rod lever nut and bolt and then remove lever, sleeve and bushings.

Installation — To install, reverse removal procedure noting the following: Lubricate pedal rod and linkage pivot bolts, pins, sleeves and bushings with suitable lubricant (Delco Brake Lube 5450032). Bleed booster/power steering hydraulic system. **NOTE** — This is a separate procedure from bleeding hydraulic brake system. See *Bleeding Hydroboost System* in this Article. Check brake pedal and stoplamp switch adjustment.

BLEEDING HYDROBOOST SYSTEM

NOTE — If power steering fluid has foamed due to low fluid level, it will be necessary to park vehicle for approximately one hour (reservoir cap loose) so that foam can dissipate.

BENDIX HYDRO-BOOST (Cont.)

1) Raise front of vehicle on a hoist so that tires are clear of floor. Check reservoir and fill with suitable power steering fluid (GM Power Steering Fluid). **NOTE** — Leave reservoir cap off during entire bleed procedure. Install a remote control starter switch so that engine can be cranked but not started. **CAUTION** — Whenever engine is cranked with a remote starter, or other means, distributor primary lead must be disconnected from negative post on coil.

2) Crank engine for four to five seconds while pouring fluid into reservoir. Fill reservoir and crank engine until system will no longer accept fluid. It is normal that fluid may spill from filler tube when cranking stops. Remove remote control starter switch and reconnect distributor wire. Start engine and run for two seconds. Check and refill reservoir if necessary.

3) Start engine and depress brake pedal several times while rotating steering wheel from "Stop" to "Stop". Turn engine off and then pump brake pedal four to five times to deplete accumulator pressure. Check and refill reservoir if necessary. Repeat step 3). Install reservoir cap.

BLEEDING BRAKE CYLINDERS

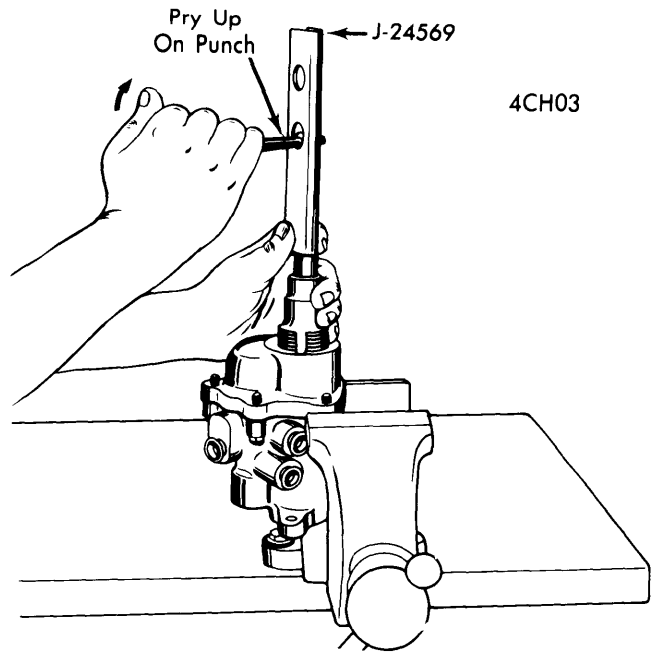
See *Hydraulic Brake Bleeding* in this Section.

OVERHAUL

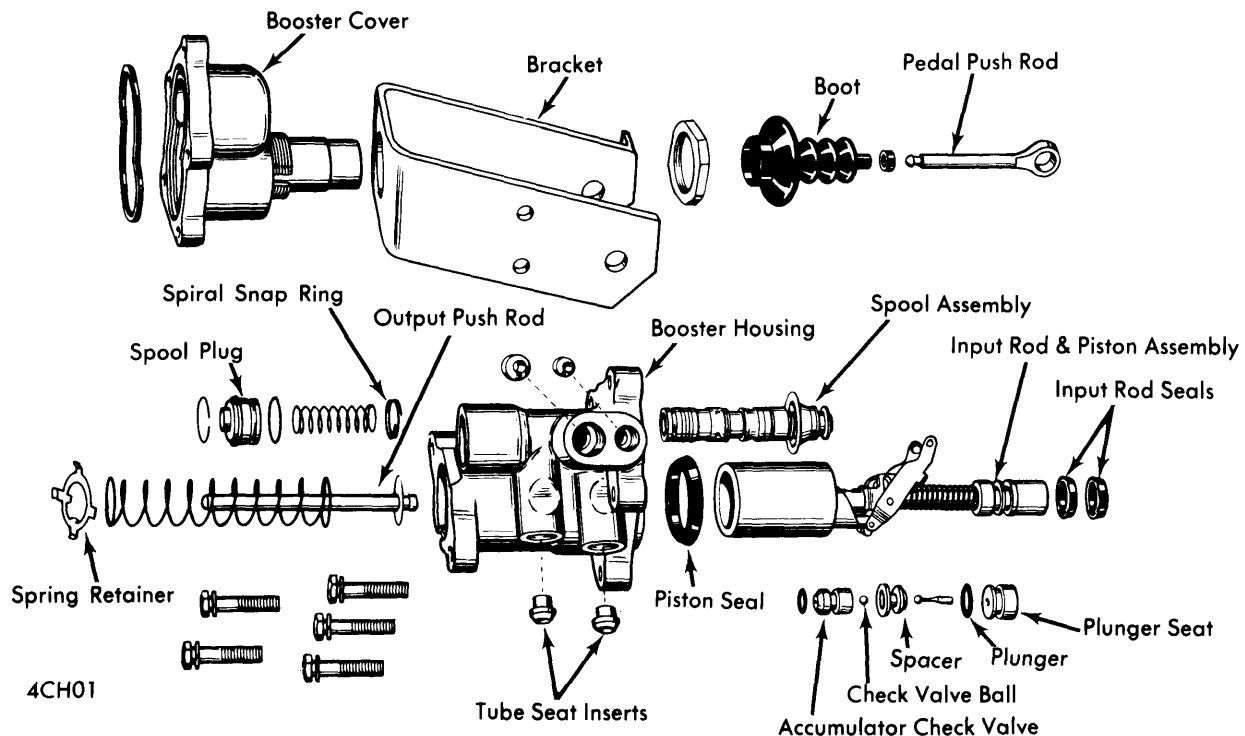
Disassembly — 1) Secure unit in vise (bracket end up) and use chisel to cut bracket nut that secures linkage bracket to power section. Cut nut at slot in threaded section to prevent damage to threads. Remove linkage bracket from unit.

2) Remove pedal rod boot and place suitable tool (J-24569) around pedal rod and resting on input rod end (see il-

lustration). Place a punch through pedal rod from lower side of tool and push punch on through to rest on higher side of tool. Lift up on punch to shear pedal rod retainer; remove pedal rod.



REMOVING BOOSTER PEDAL ROD



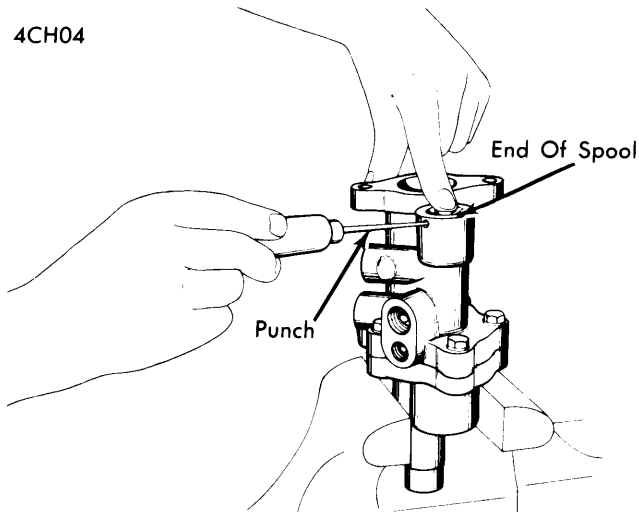
**BENDIX HYDRO-BOOST ASSEMBLY COMPONENTS
(UNIT WITH EXTERNAL ACCUMULATOR SHOWN)**

BENDIX HYDRO-BOOST (Cont.)

3) Remove remnants of rubber grommet from groove near end of pedal rod and from groove inside input rod end. Disengage tabs of spring retainer from ledge inside opening near master cylinder mounting flange of booster. Remove retainer and piston return spring from opening. Pull straight out on output push rod to remove push rod and push rod retainer from inside booster piston.

4) Press in on spool plug, and insert a small punch into hole on top of housing (see illustration). This unseats one side of spool plug snap ring from its groove in bore; remove snap ring from bore. Use pliers to remove spool plug from bore. Remove and discard "O" ring seal from plug. Remove spool spring from bore.

4CH04



REMOVING SPOOL PLUG FROM BOOSTER

5) Place booster cover in soft jawed vise and remove the five screws that secure booster housing to cover. Remove booster assembly from vise and while holding unit over a pan, separate cover from housing. Remove large seal ring from groove in cover; discard seal ring.

6) Remove input rod and piston assembly, and spool assembly from booster housing. Remove input rod seals and input rod end, and piston seat from piston bore in housing; discard seals. Remove plunger seat, spacer and ball from accumulator valve bore in flange of booster housing. Remove "O" ring from seat; discard "O" ring.

7) Thread a screw extractor into opening in check valve in bottom of accumulator valve bore, and remove check valve from bottom of bore. Discard check valve and "O" ring. Use a $\frac{1}{4}$ " or $\frac{3}{16}$ " spiral flute type screw extractor to remove tube seats from booster ports.

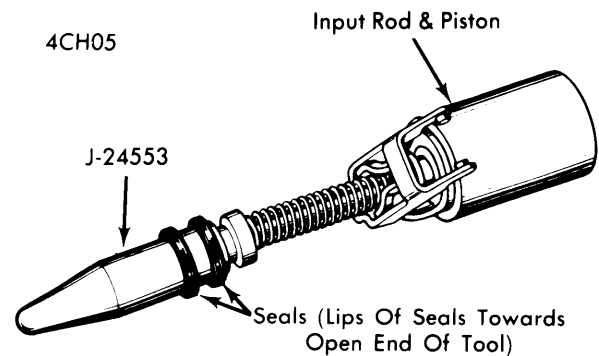
Cleaning & Inspection — 1) Clean all metal parts in a suitable solvent. Inspect valve spool and valve spool bore in booster housing for corrosion, nicks, scoring or other damage. Discoloration of spool or bore, particularly in grooves, is not harmful.

2) If valve spool or valve spool bore has nicks or scoring that can be felt with a fingernail, particularly on the lands, spool and housing should be replaced as an assembly. Spool and housing should never be replaced independently, always as an assembly.

3) Inspect input rod, piston assembly, and piston bore for corrosion, nicks, scoring or other damage. Replace damaged parts.

Reassembly — 1) Be sure that all parts are absolutely clean. Lubricate all seals and metal friction points with power steering fluid. Position a new tube seat in each booster port and screw a spare tube nut in each port to press seat down. **CAUTION** — Do not completely tighten tube nut into port. Distortion of new tube seat might result.

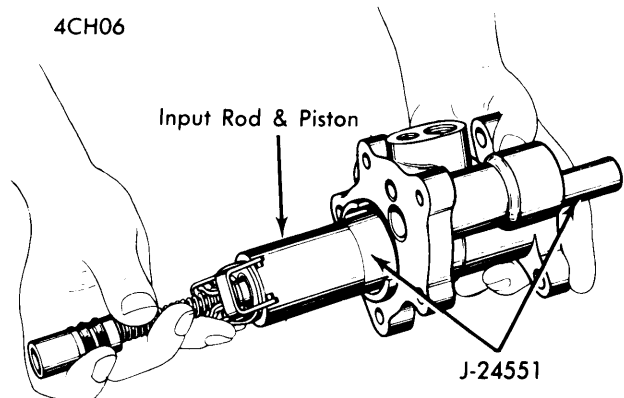
2) Remove spare tube nuts and check for aluminum chips in ports. Remove any foreign matter. Coat piston bore and new piston seal with clean power steering fluid and assemble seal in bore. Lip of seal must be toward rear (away from master cylinder mounting flange). Lubricate input rod end, new input rod seals and seal installer tool (J-24553) with clean power steering fluid. Slide seals on tool with lip of cups toward open end of tool (see illustration). Slide tool over input rod end and down to second groove. Then slide forward seal off tool and into groove. Assemble other seal in first groove. Be sure that both seals are fully seated.



INSTALLING INPUT ROD SEALS

3) Lubricate piston and suitable piston installing tool (J-24551) with clean power steering fluid. Insert large end of tool into piston and slide tool and piston into piston bore and through piston seal. Assemble new "O" ring onto new accumulator check valve, and dip assembly in clean power steering fluid. Insert check valve into accumulator valve recess in housing flange. Assemble new ball and spacer in same recess.

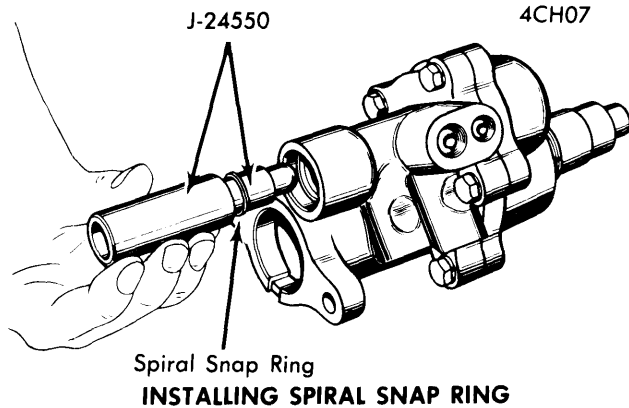
4CH06



INSTALLING ASSEMBLY INTO BOOSTER

BENDIX HYDRO-BOOST (Cont.)

4) Assemble new "O" ring onto charging valve plunger seat and insert plunger into seat. Dip assembly in clean power steering fluid and insert it into charging valve recess. Dip spool assembly in clean power steering fluid, and insert assembly into spool bore in housing. Be sure that pivot pins on upper end of input rod lever assembly are engaged in groove in sleeve. Remove tool from piston assembly.



5) Position a new housing seal in groove in housing cover. Join booster housing and cover and secure with five screws. Tighten screws to 18-26 ft. lbs. Assemble new "O" ring seal on spool plug. Insert spool spring and spool plug in forward end of spool bore. Press in on plug and assemble plug snap ring in groove in bore.

6) Position linkage bracket on booster. Tab on inside diameter of large hole in bracket should fit into a slot in threaded portion of booster hub. Install new bracket nut with staking groove outward on threaded hub of booster. Using suitable deep socket (J-24554) and torque wrench, tighten nut to 95-120 ft. lbs. Use a hammer and small punch inserted into staking groove of nut, at slot in booster hub, to stake nut in place. Be sure that outer thread of nut is upset.

7) Assemble a new boot on pedal rod. Then assemble a new grommet in groove near end of pedal rod. Moisten grommet with water and insert grommet end of pedal rod into input rod end of booster housing. Push on end of pedal rod to seat grommet in groove inside housing. *NOTE — When grommet is fully seated, pedal rod will rotate freely with no binding.* Slide boot on pedal rod and assemble large end of boot on hub of power section.