

Steering Linkage

INTERNATIONAL HARVESTER

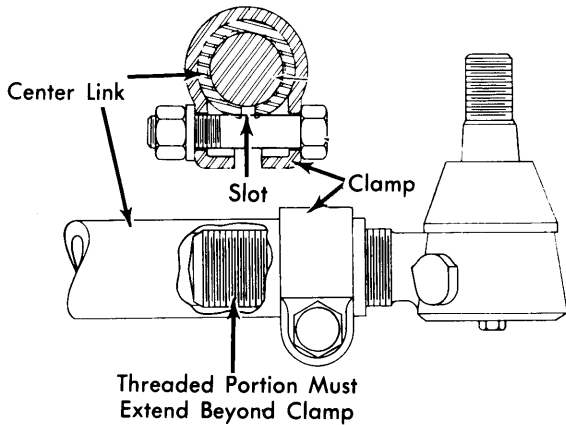
NOTE — Information on models not covered was not available from manufacturer at time of publication.

1965-73 CONVENTIONAL CAB & TRAVELLALL (W/TORSION BAR)

Servicing Components — Left vertical link is attached to left steering arm and pitman arm, while right link is attached to idler arm and right steering arm. Center rod is connected between idler arm and pitman arm (see illustration). Steering linkage components are serviceable without disassembly of suspension.

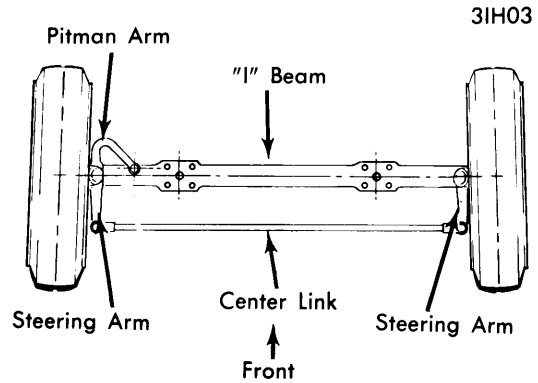
1965-73 CONVENTIONAL CAB & TRAVELLALL (W/"I" BEAM)

Center Link Ends — When ball joint assemblies are replaced, they must be threaded into center link sufficiently so that when clamp is applied, clamping action will be directly over threads on ball joint assembly (see illustration).



31H02

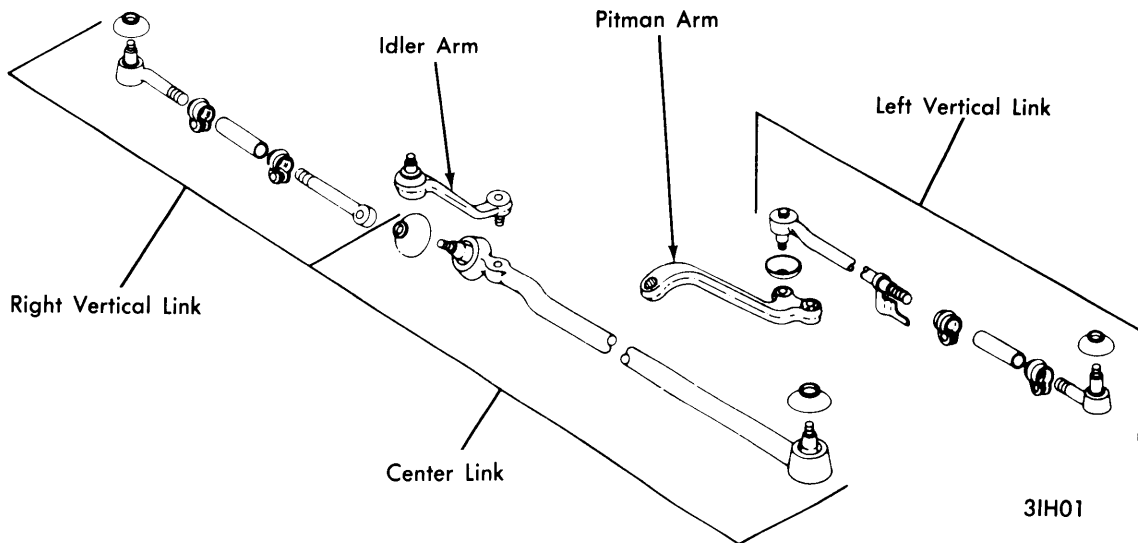
DETAIL OF CENTER LINK ENDS



STEERING LINKAGE ("I" BEAM SUSPENSION)

1974 CONVENTIONAL CAB & TRAVELLALL (W/COIL SPRINGS)

Ball Joint Lubrication — Remove plugs; lubricate under low pressure. Too much pressure will damage oil seals. In off-the-road operation where mud or water is encountered, lubricate more frequently.



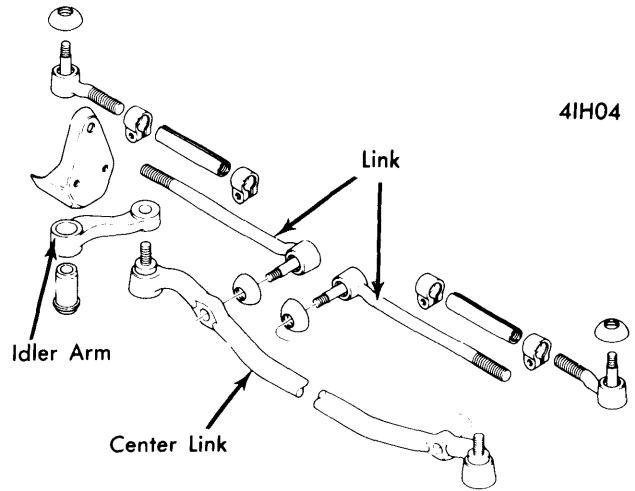
STEERING LINKAGE (TORSION BAR SUSPENSION)

Steering Linkage

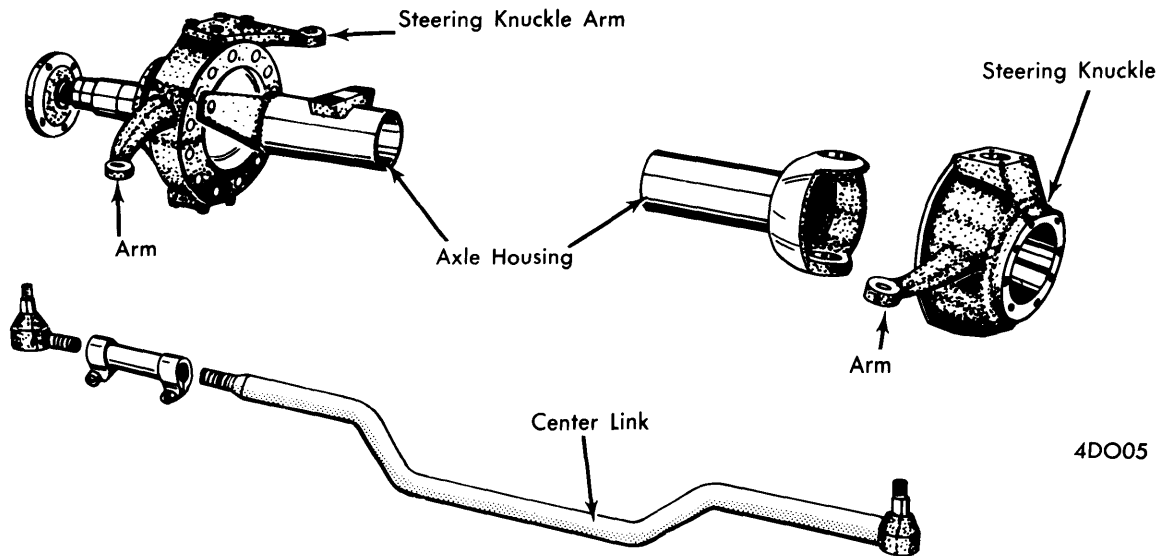
INTERNATIONAL HARVESTER (Cont.)

ALL MODELS WITH 4-WHEEL DRIVE

Ball Joint Replacement – Upper or lower ball joint replacement requires removal or disassembly of steering knuckle. See *Four-Wheel Drive Steering Knuckles in Drive Axle Section*.



**STEERING LINKAGE
(COIL SPRING SUSPENSION)**



**STEERING LINKAGE
4-WHEEL DRIVE**