

Steering Linkage

CHRYSLER CORP.

1965-70 "A" MODELS

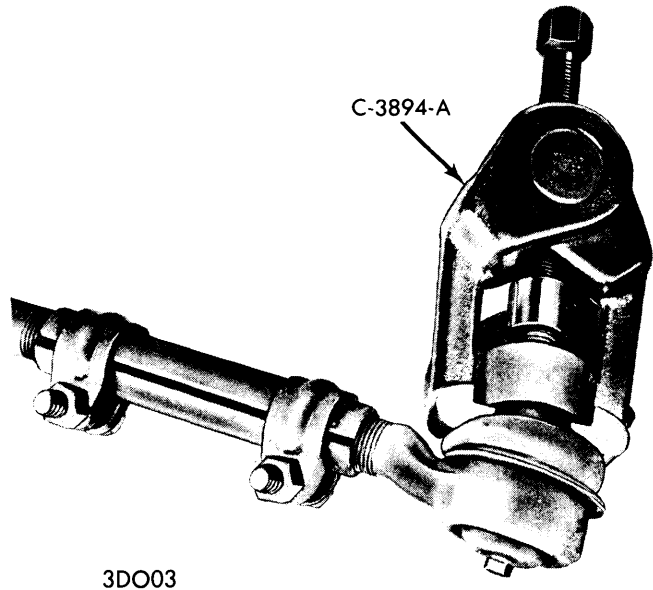
Servicing Components - Front axle assembly may be divided into four subassemblies: "I" beam axle, steering knuckles, steering linkage, and brake assemblies. It is not necessary to remove complete assembly to service steering linkage.

**1970-74 "B" MODELS
& 1974 "PB" MODELS**

Ball Joints - Compression (tension) type lower ball joints are used on all models. Ball joints are of semi-permanent lubricated type except for vehicles used for off-highway operations. Lower ball joints on 1970-73 models should not be replaced for looseness if axial end play (up and down movement) is under .070". Lower ball joints on 1974 models should be replaced if axial end play exceeds .020".

Tie Rod End Removal - *NOTE* - Removal of tie rod ends from steering arm or center link by methods other than using Special Tool C-3894-A will damage tie rod end seal. Install suitable tie rod end puller (C-3892-A) and remove rod end by turning puller screw. Before installing, replace any seals that are damaged or worn.

knuckles, steering linkage, and brake assemblies. It is not necessary to remove complete assembly to service steering linkage.

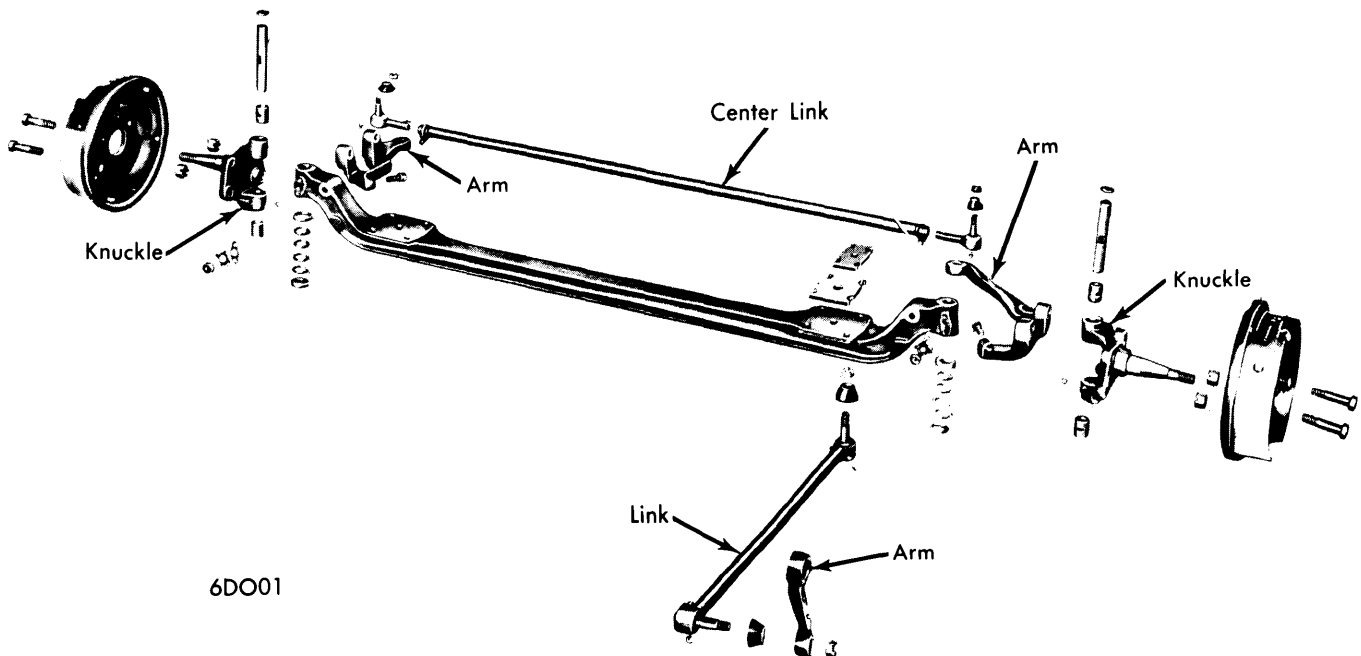


3DO03

TIE ROD END PULLER INSTALLED

**1965-71 "D" MODELS
& 1965-72 "P" MODELS**

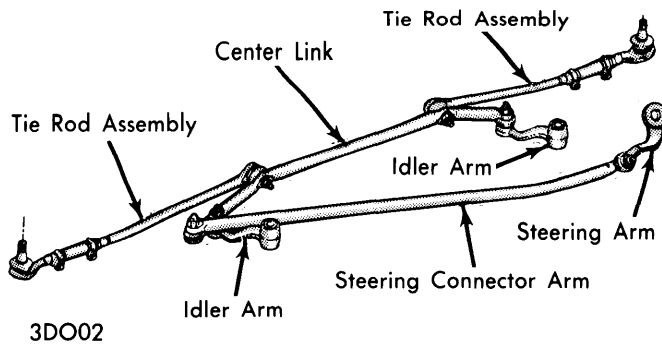
Servicing Components - Front axle assembly may be divided into four subassemblies: "I" beam axle, steering



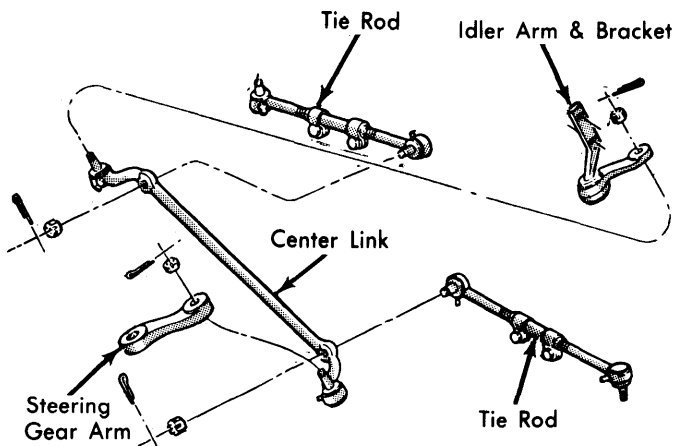
6DO01

"A" MODELS STEERING LINKAGE

CHRYSLER CORP. (Cont.)



"B" & "PB" MODELS STEERING LINKAGE

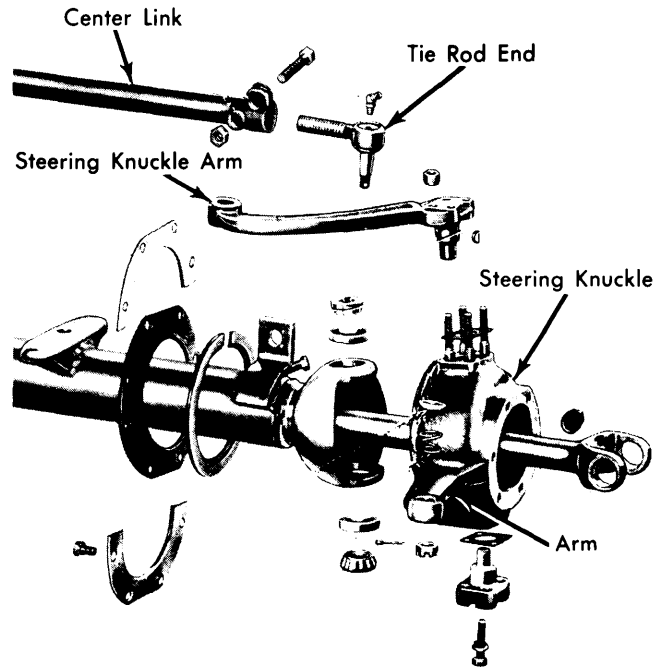


4DO05

1972-74 "D" MODELS STEERING LINKAGE

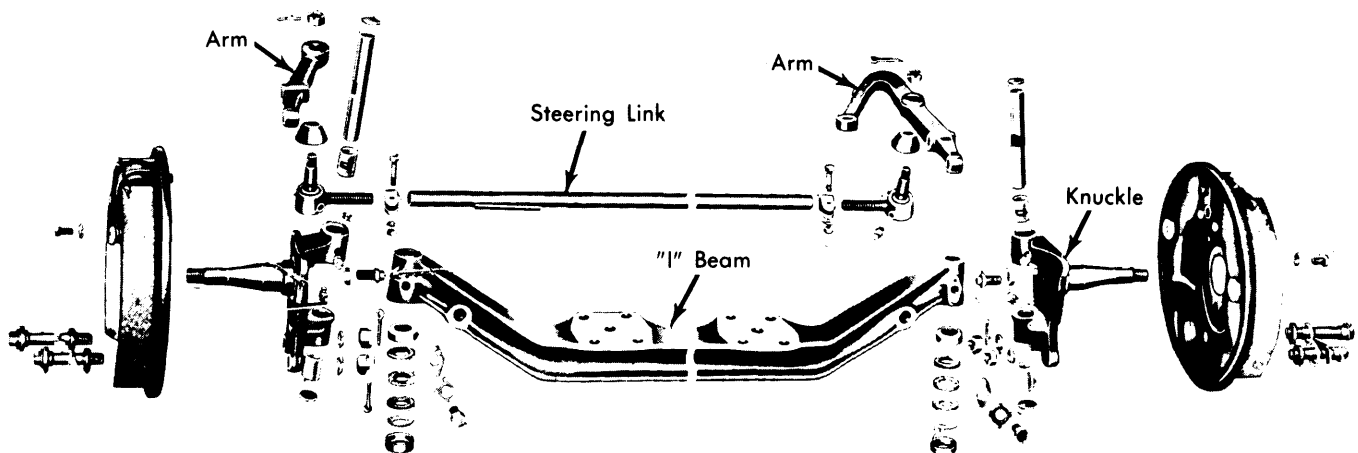
1972-74 "D" MODELS

Tie Rod End Removal – NOTE – Removal of tie rod ends from steering arm or center link by methods other than using Special Tool C-3894-A will damage tie rod end seal. Install suitable tie rod end puller (C-3894-A) and remove rod end by turning puller screw. Before installing, replace any seals that are damaged or worn. See illustration at 1970-74 "B" Models in this article.



4DO07

MODEL 44 DRIVE AXLE STEERING LINKAGE

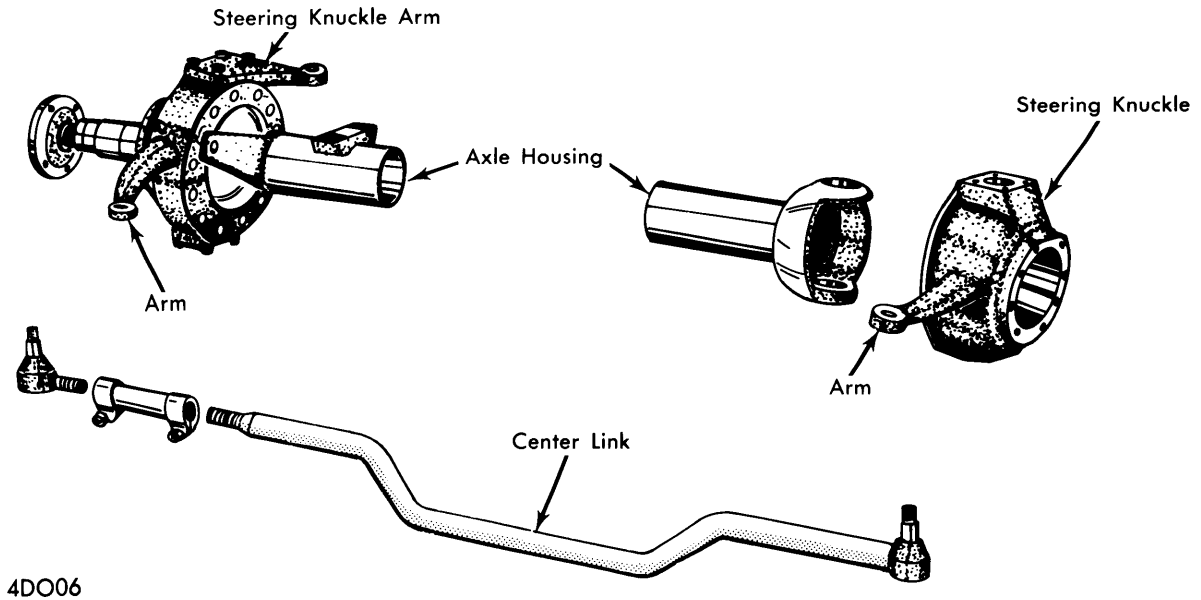


1DO04

"D" & "P" MODELS STEERING LINKAGE (TYPICAL)

Steering Linkage

CHRYSLER CORP. (Cont.)



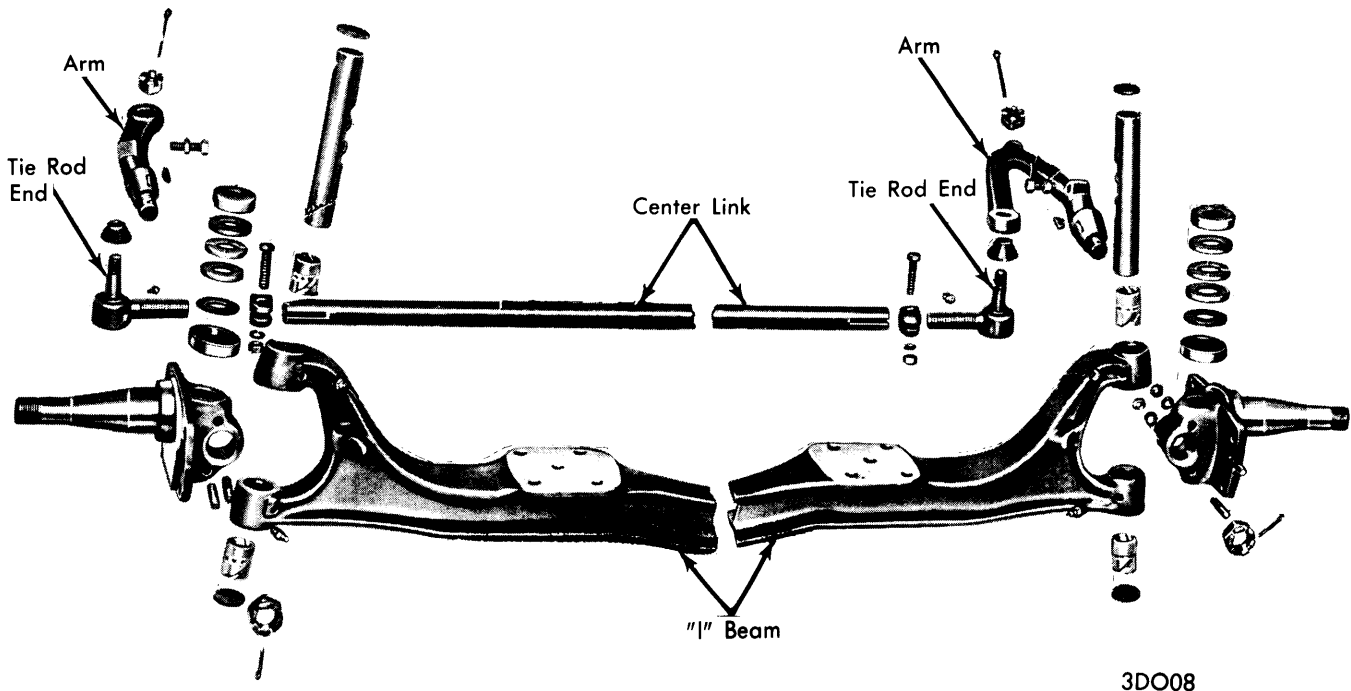
MODEL 70 DRIVE AXLE STEERING LINKAGE

**1965-74 "W" MODELS
& 1974 TRAIL DUSTER**

Ball Joints — Dana/Spicer Model 44 Drive Axle is used on W100, W200, and Trail Duster. Model 70 Drive Axle is used on W300 and is an option on W200. In either case, upper and lower ball joint replacement requires removal or dismantling of steering knuckle. See *Four Wheel Drive Steering Knuckles in DRIVE AXLES* Section.

1968-74 MOTOR HOME CHASSIS

Servicing Components — Front axle assembly may be divided into four subassemblies: "I" beam axle, steering knuckles, steering linkage, and brake assemblies. It is not necessary to remove complete assembly to service steering linkage.



MOTOR HOME CHASSIS STEERING LINKAGE