

Steering Gears & Linkage

VOLKSWAGEN JETTA, RABBIT, PICKUP & SCIROCCO RACK & PINION

DESCRIPTION

Steering gear is a rack and pinion type. Tie rods attach to ends of rack. Racks are mounted with "U" bolts and rubber bushings.

REMOVAL & INSTALLATION

STEERING GEAR

Removal

1) Disconnect shift linkage bearing plate from rack housing. Loosen pinch bolts on steering shaft. Remove shaft from pinion.

2) Disconnect tie rod ends from steering linkage, using puller. Remove mounting bolts and remove rack with tie rods attached.

Installation

1) To install, reverse removal procedures. Correctly align and insert pinion shaft with steering shaft lower universal joint before securing steering gear housing clamp bolts.

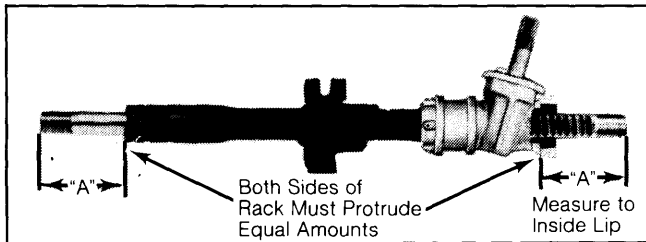
2) Connect tie rod outer ends to steering linkage. Tighten upper and lower universal joint pinch bolts. Connect and adjust shift linkage bearing plate to gear housing.

ADJUSTMENT

RACK & TIE RODS

1) Center rack in housing so rack protrudes an equal amount from each end of housing. See Fig. 1.

Fig. 1: Centering Rack in Steering Gear Housing



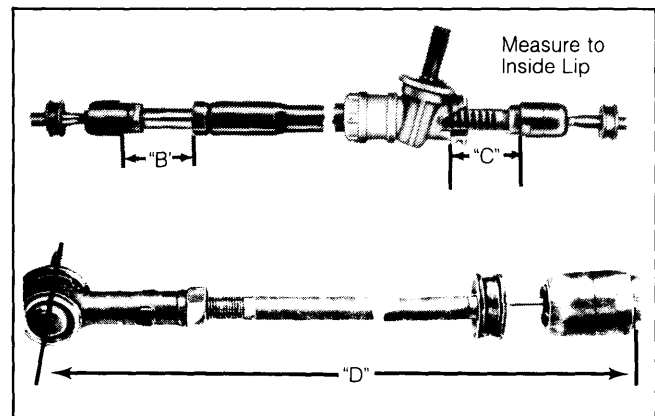
2) If replacing the non-adjustable left tie rod with adjustable type, adjust tie rod length "D" to 14.92" (379 mm).

3) Screw tie rods onto rack and adjust to specified dimensions without moving rack from center position. When adjustment is correct, secure tie rods with jam nuts and install rubber boots. See Fig. 2.

TIE ROD SPECIFICATIONS

Application	Dimension "B"	Dimension "C"
Man. Trans.	2.72" (69 mm)	2.72" (69 mm)
Auto. Trans.	2.64" (67 mm)	2.72" (69 mm)

Fig. 2: Installation Adjustment of Tie Rods on Rack



4) Loosen pinion shaft adjusting screw lock nut. Turn adjusting bolt until it just contacts thrust washer. Tighten lock nut.

TIGHTENING SPECIFICATIONS

Application	Ft. Lbs. (N.m)
Gear Box Rubber Mounting Bolts	22 (30)
Tie Rod End Jam Nut	29 (39)
Tie Rod End-to-Steering Arm	22 (30)
Universal Joint Pinch Bolt	22 (30)

Fig. 3: Disassembled View of Rack & Pinion Steering Gear Assembly

