

Steering Columns

DATSUN/NISSAN PICKUP

DESCRIPTION

Pickup steering columns are safety collapsible type. Columns are supported by a column bracket at the dash and attached to floor pan by a floor bracket. Steering shaft uses a universal joint and is attached to gearbox by a flexible rubber coupling.

REMOVAL & INSTALLATION

STEERING COLUMN

Removal

1) Remove rubber coupling to gearbox bolt. Remove steering wheel. See *Datsun/Nissan in Steering Wheel & Column Switches* article in this Section.

2) Remove steering column shell covers. Remove combination switch assembly. Remove heater duct from under dash (around steering column).

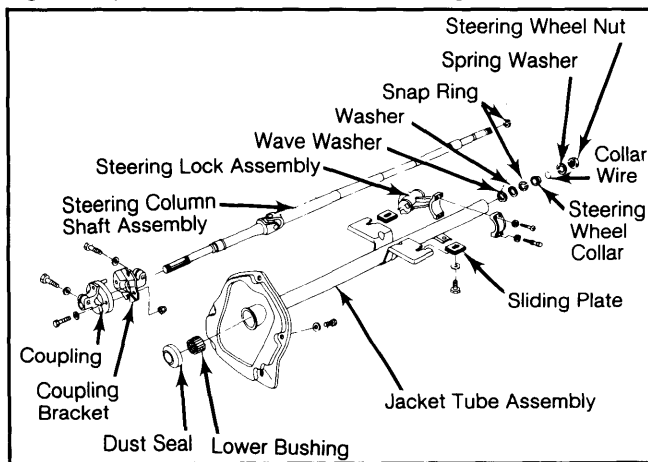
3) Remove column bracket and floor bracket. Remove steering column assembly through passenger compartment.

NOTE: During any service procedure involving the steering assembly, do not hammer or exert extreme pressure on the steering column or damage to the collapsible section may result.

Installation

1) Place wheels in straight-ahead position. Install steering column assembly through passenger compartment. Attach rubber coupling to gear box, make sure punch mark on upper end of steering shaft faces up.

Fig. 1: Exploded View of Manual Steering Column



2) Loosely install column bracket bolts. Loosely install floor pan bracket bolts. With column and floor bracket bolts installed, tighten rubber coupling bolt.

3) Tighten column bracket bolts and then floor pan bracket bolts. Complete installation in reverse order of removal. Make sure steering wheel turns smoothly.

OVERHAUL

STEERING COLUMN

Disassembly

1) Remove rubber coupling assembly. On steering lock assembly, drill out shear type screws, install screw extractor, and remove screws.

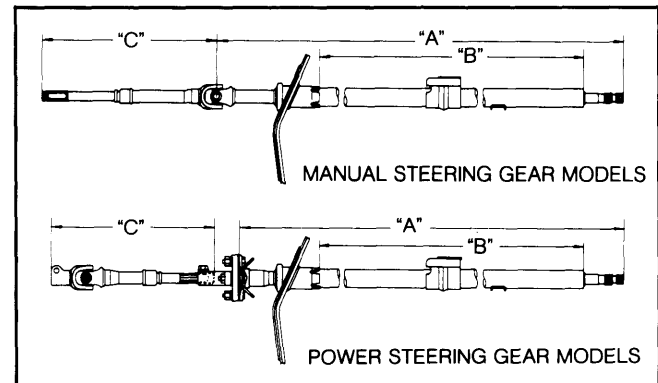
2) Disconnect and remove steering lock. Remove snap ring (discard ring) and separate each part. Remove dust seal and lower bushing.

Inspection

1) Check column bearings for damage or unevenness. Check jacket tube for deformation or breakage, and replace if necessary.

2) If vehicle has had a light collision, check dimensions "A", "B", and "C". See Fig. 2. If they are not within specifications, replace steering column as an assembly.

Fig. 2: Measuring Points for Checking Steering Column Lengths



Use Steering Column Measurements table with illustration.

STEERING COLUMN MEASUREMENTS

Model	"A" In. (mm)	"B" In. (mm)	"C" In. (mm)
Manual			
2-WD	33.57-33.65 (852.7-854.7)	23.76-23.84 (603.6-605.6)	13.33-13.41 (338.7-340.7)
4-WD	33.57-33.65 (852.7-854.7)	23.76-23.84 (603.6-605.6)	11.81-11.89 (300.1-302.1)
Power			
2-WD			
Diesel	30.83-30.91 (783.0-785.0)	23.76-23.84 (603.6-605.6)	9.84-9.92 (250.0-252.0)
Gas	32.01-32.09 (813.0-815.0)	23.76-23.84 (603.6-605.6)	8.68-8.76 (220.4-222.4)
4-WD	32.01-32.09 (813.0-815.0)	23.76-23.84 (603.6-605.6)	10.20-10.28 (259.2-261.2)

Reassembly

To reassemble, reverse order of disassembly procedures. Apply grease to column bearings and other moving parts. Be careful not to damage remote control lever bracket. Always use new snap rings.

TIGHTENING SPECIFICATIONS

Application	Ft. Lbs. (N.m)
Rubber Coupling Bolt	29-36 (39-49)
Column Support Bracket	6-8 (8-11)
Steering Wheel Nut	29-36 (39-49)