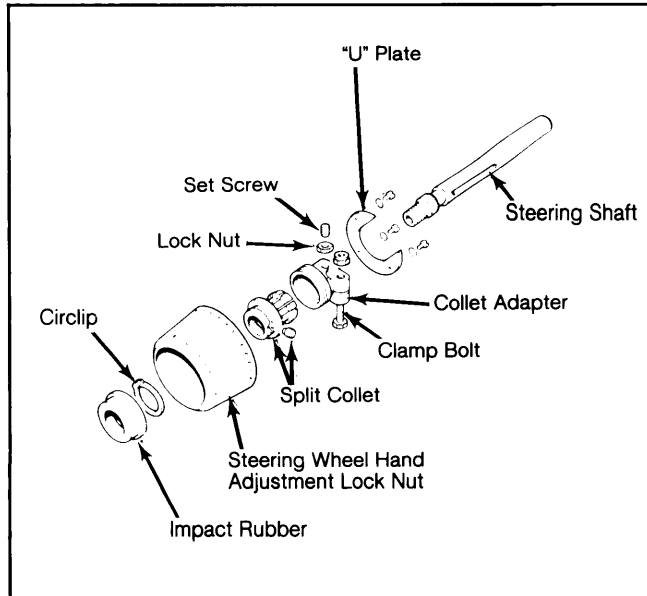


12-12 Steering Wheel & Column Switches

JAGUAR (Cont.)

Fig. 1: Components Located Behind Steering Wheel



Collect split collet and save for reassembly.

IGNITION SWITCH

Removal

Disconnect battery ground cable. Separate column shrouding from switch side. Disengage retaining ring holding ignition switch in housing. Disconnect ignition switch wiring at multi pin connector. Remove switch and harness.

Installation

To install, reverse removal procedure.

COMBINATION SWITCH

Removal

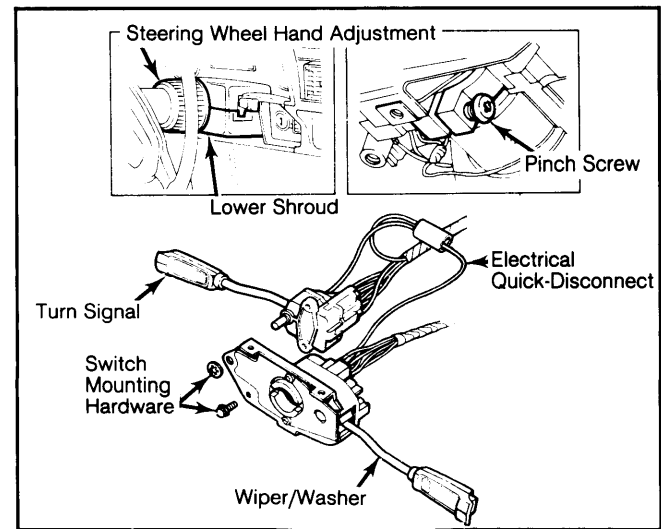
1) Disconnect battery cable. Take off steering column lower shroud. Remove steering wheel as previously outlined. Remove steering column upper shroud and cover from below instrument panel.

2) Loosen pinch bolt and pull combination switch assembly from steering column. Disconnect electrical wiring. Hazard flasher can now be separated by disconnecting wires, depressing tangs and pushing switch through mounting plate.

Installation

To install, reverse removal procedures.

Fig. 2: Combination Switch Location and Assembly



LUV

REMOVAL & INSTALLATION

HORN BUTTON & STEERING WHEEL

Removal

1) Disconnect battery ground cable. Remove retaining screws and horn pad. Disconnect horn wires from pad.

CAUTION: Steering shaft is an energy absorbing unit. During any service operation, avoid jarring or leaning on any portion of column.

2) Unscrew steering wheel retaining nut. Mark position of steering wheel on column shaft. Remove retaining screws to column cowling. Remove cowling.

3) Using a puller (J-24292-A), remove steering wheel.

Installation

To install, reverse removal procedures.

COMBINATION SWITCH

Removal

1) Remove steering wheel. Disconnect battery ground cable. Remove retaining screws and remove cowling.

2) Disconnect wire connectors from switch. Remove retaining screws. Remove switch from column flange.

NOTE:

Combination switch has the following functions: Turn signal, headlight dimmer, hazard warning, and windshield wiper/washer.

Installation

To install, reverse removal procedure.

IGNITION SWITCH

Removal

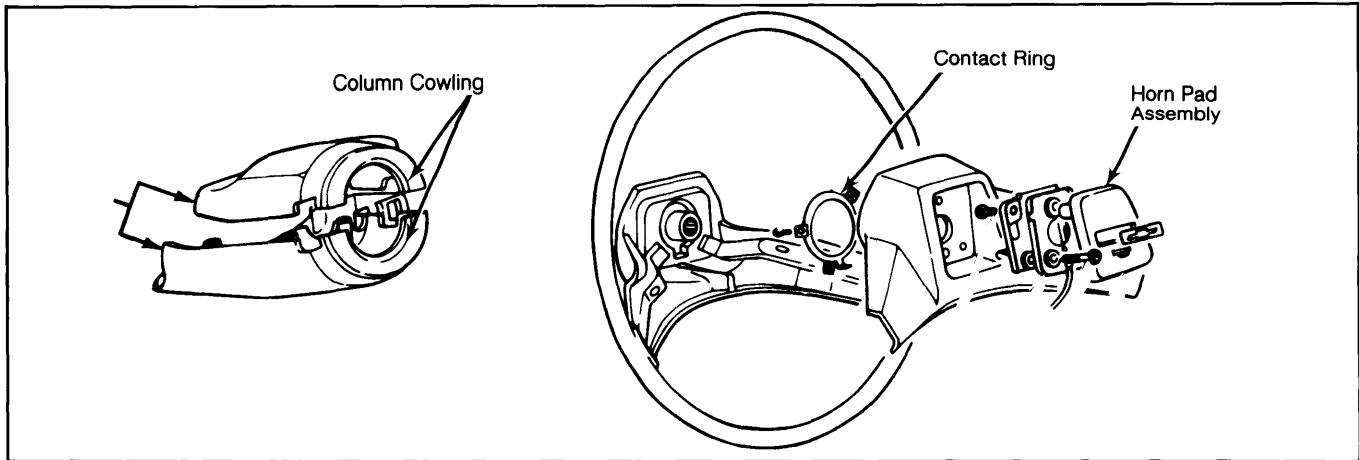
Disconnect battery cable. Remove retaining screws and remove cowling. Disconnect wiring connector at switch. Remove switch ring nut and remove switch.

Installation

To install, reverse removal procedures.

LUV (Cont.)

Fig. 1: LUV Steering Wheel Assembly



MAZDA

REMOVAL & INSTALLATION

STEERING WHEEL & COMBINATION SWITCH

Removal

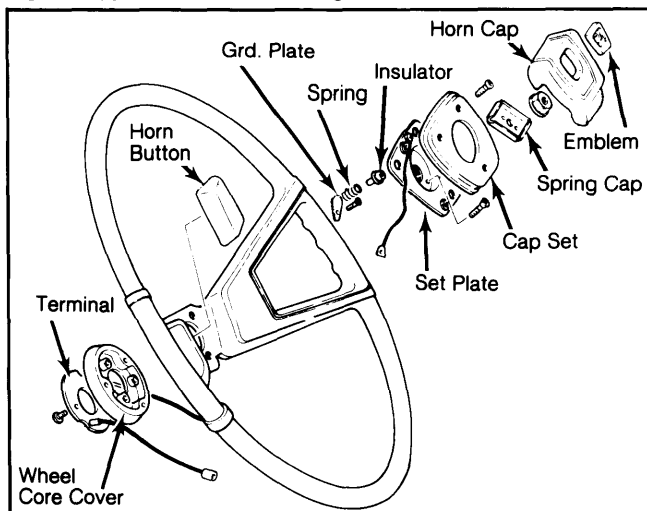
1) Disconnect battery ground cable. Pull off horn cap. Place front wheels in straight-ahead position. Index mark column shaft and steering wheel.

2) Remove steering column shrouding. Disconnect electrical connectors. To disconnect electrical connections on RX7, remove air duct at base of steering column.

3) On all models, remove steering shaft stop ring, cancel cam and spring. Remove retaining screws and combination switch assembly.

NOTE: Wiper switch can be removed with combination switch or separated from it.

Fig. 1: Typical Mazda Steering Wheel Assembly



Installation

To install, reverse removal procedures.

IGNITION SWITCH

Removal

1) Remove steering wheel as previously outlined. Remove column shrouding. Remove combination switch. Disconnect electrical connector.

2) Remove screw attaching switch contact housing to steering lock body and slide out contact housing. See Fig. 2.

Installation

To install, reverse removal procedure.

STEERING LOCK

Removal

Remove steering wheel, column shrouding and combination switch. File a slot in bolt attaching steering lock body to column shaft (in order to remove bolt with screwdriver) and remove bolt. Remove steering lock.

Installation

To install, reverse removal procedure and tighten new shear bolts until heads break.

Fig. 2: Exploded View of Ignition Switch (Exc. Pickups)

