

PORSCHE 911SC

DESCRIPTION

Independent torsion bar type rear suspension is used. Torsion bars are mounted inside rear cross-member tube and anchored in center by a splined hub. Outer end of torsion bars mount into splined hubs integral with spring plates which connect at ends to control arms.

Control arms pivot in mounts integral with body and also serve as rear wheel bearing carriers. Hydraulic shock absorbers are mounted between control arms and inner fender panel. A stabilizer bar is installed on some models.

ADJUSTMENT

WHEEL ALIGNMENT SPECIFICATIONS & PROCEDURES

See *Wheel Alignment Specifications & Procedures* in **WHEEL ALIGNMENT** section.

WHEEL BEARING

Wheel bearings are not adjustable.

REMOVAL & INSTALLATION

SHOCK ABSORBER

Removal

1) Raise vehicle and support with safety stands, in a position so weight of vehicle is still on rear wheels. Remove rubber cap from upper mount (accessible from inside engine compartment).

2) Remove nut from shock absorber. Remove bolt securing shock absorber to control arm. Remove shock absorber. Remove rod cover and rubber buffer from shock absorber.

Installation

1) Inspect rubber buffer for wear or cracking, (replace if necessary). Make sure that stop disc grooves face bottom of shock absorber when assembling.

2) Install rubber buffer and cover. Reverse removal procedure to install remaining components. Tighten upper and lower mounts.

CONTROL ARM

Removal

1) Raise vehicle and support with safety stands, under vehicle body. Remove wheel assemblies. Detach brake system components from rear wheel hub. See *Porsche article in BRAKES* section.

2) Remove axle hub cotter pin and nut. Remove Allen head bolts from axle shaft flanges and remove axle shafts. Using a driver, remove wheel hub from control arm.

3) Remove cotter pin and nut from parking brake cable and pull cable out toward center of vehicle. Remove bolts securing parking brake assembly to control arm and remove assembly.

4) Raise torsion bar spring plate to take tension from shock absorber. Remove lower shock absorber mount. Remove bolts securing spring plate to control arm.

5) Disconnect brake hose from bracket on control arm. Remove nut from control arm pivot bolt and drive bolt out with a punch. Remove control arm from vehicle.

Installation

To install, reverse removal procedures. Use new self-locking nuts and tighten all bolts and nuts. Check riding height, wheel alignment, and bleed brake system.

TORSION BAR & SPRING PLATE

Removal

1) Raise vehicle and support with safety stands, under vehicle body. Remove wheel assembly. Raise torsion bar spring plate. Remove lower shock absorber retaining bolt.

2) Remove bolts securing spring plate to control arm. Pull back on control arm to separate from spring plate. Remove torsion bar hub cover bolts.

3) Remove hub cover by prying off with a screwdriver. Remove torsion bar tensioner tool. Remove plug from body.

4) Remove spring plate and withdraw torsion bar. If torsion bar is broken, opposite side torsion bar will have to be removed in order to drive out broken piece.

Installation

1) Inspect all components for wear or damage, (replace if necessary). Coat torsion bar with lithium grease before installing. Torsion bars are marked left and right, (install accordingly).

2) Coat rubber components with glycerin paste. Install torsion bar and spring plate in correct position.

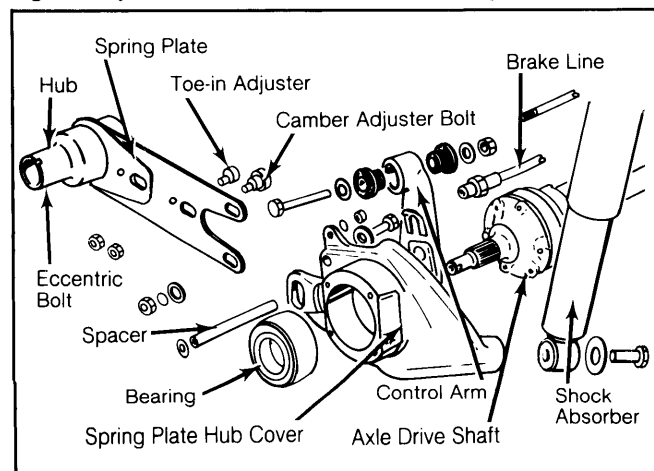
3) To adjust torsion bars, use protractor (VW261), place onto lower edge of door sill. Adjust protractor so that bubble in glass tube marked "Axle Housing/Angle" is in the center.

4) Reset glass tube carrier by value specified. Place protractor onto spring plate and adjust to .448-.488" (11-12 mm) by turning eccentric screw on spring plate.

NOTE: Difference between right and left measurement must not exceed .20" (5 mm).

5) Install hub cover and start bolts that are accessible. Raise spring plate until remaining bolt can be installed. Reverse removal procedures for remaining components. Check rear wheel alignment.

Fig. 1: Exploded View of Porsche Rear Suspension



Rear Suspension

PORSCHE 911SC (Cont.)

TIGHTENING SPECIFICATIONS

Application	Ft. Lbs. (N.m)
Axle Shaft Allen Head Bolts	
M8-12K	31 (42)
M10-8G	34 (46)
M10 x 55-12K	60 (82)
Camber Adjusting Bolt	43 (58)
Control Arm Pivot Bolt	87 (118)
Hub Nut	235 (320)
Lower Shock Absorber Mount	54 (73)
Spring Plate-to-Control Arm Bolts	65 (88)
Torsion Bar Hub Cover Bolts	34 (46)
Tracking Adjusting Bolt	36 (49)