

Rear Suspension

VOLKSWAGEN DASHER

DESCRIPTION

Rear suspension is coil spring type utilizing a transverse mounted suspension rod and a trailing arm. Suspension rod is used to improve stability. Shock absorbers mount off bracket on axle beam and to upper body. Coil spring rides in spring seat welded to axle beam and wedges against damper ring at chassis/body.

ADJUSTMENTS

WHEEL ALIGNMENT SPECIFICATIONS & PROCEDURES

See *Wheel Alignment Specifications and Procedures* in **WHEEL ALIGNMENT** Section.

WHEEL BEARING ADJUSTMENT

See *Wheel Bearing Adjustment* in **WHEEL ALIGNMENT** Section.

REMOVAL & INSTALLATION

REAR AXLE BEAM ASSEMBLY

Removal - 1) Raise vehicle and place safety stands under body. Take nuts off parking brake linkage equalizer bar. Force parking brake plastic cable guide bushing from clip holder. Pry down and unhook muffler from front bracket. Separate all brake cables from body mountings.

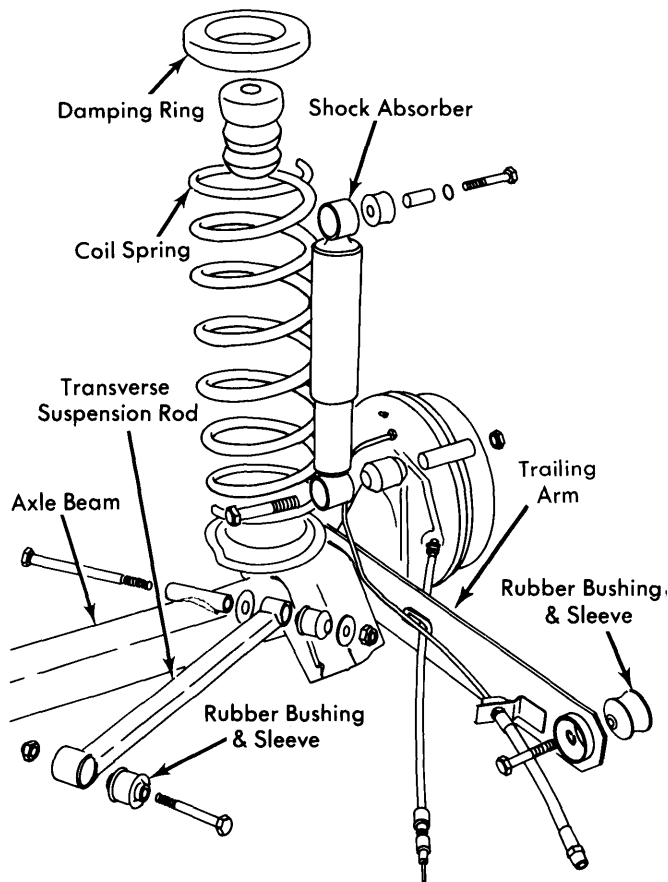


Fig. 1 Exploded View of Dasher Rear Suspension

2) Disconnect brake lines and plug open ends. Remove trailing arm mounting bolts from body. Detach muffler from rear mounting. Remove suspension rod-to-axle mounting bolt. Detach lower end of shock absorber and guide rear axle assembly (on a jack) from vehicle.

Bushing Replacement - Place trailing arm in press and force bushing from arm. Make sure when installing new bushings that bushing slots are aligned horizontally in arm.

Installation - 1) To install rear axle assembly, reverse removal procedure and note the following: Make sure trailing arm bushings are free of tension. Before tightening trailing arm bolts ensure arms are in middle of moving range.

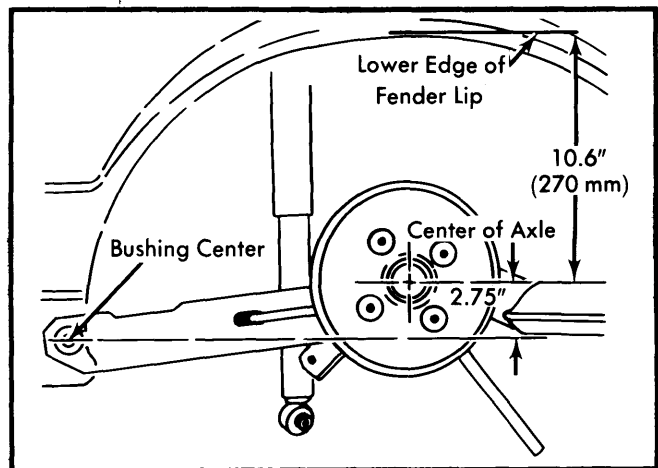


Fig. 2 Measurement Points for Installing Rear Axle Beam

2) Lift axle beam until center of axle (See Fig. 2) is 2.75" (70 mm) higher than center of bushing in trailing arm. Check distance between axle center to lower edge of fender lip. Distance should be 10.6" (270 mm). Tighten bolts.

NOTE - Only tighten bolts with axle in this position.

TRANSVERSE SUSPENSION ROD

Removal & Installation - Raise vehicle and place on safety stands. Remove suspension rod mounting bolts and tap bolts free from mounting bushings. Inspect mounting bushings and sleeves for excessive wear or damage; replace as necessary. To install, reverse removal procedure.

SHOCK ABSORBER

Removal & Installation - Raise vehicle and place on safety stands. Remove shock absorber lower mounting bolt. Remove upper mount bolt and slide shock absorber from vehicle. To install, reverse removal procedure and note the following: Install upper mounting bolt first.

TIGHTENING SPECIFICATIONS

| Application | Ft. Lbs. (mkg) |
|-------------------------------------|----------------|
| Shock Absorber Mounting Bolts | 43 (6.0) |
| Suspension Rod Mounting Bolts..... | 50 (7.0) |
| Trailing Arm Bolt..... | 43 (6.0) |