

## DATSUN 200SX &amp; 280ZX

## DESCRIPTION

Brake system is hydraulically operated using tandem master cylinder and vacuum power unit. Front brakes of 280ZX are sliding caliper disc; rear brakes are fixed caliper, sliding yoke disc. Front and rear brakes of 200SX are fixed caliper, sliding yoke disc. Brake systems are equipped with a combination valve to prevent premature lockup of rear wheels. Service brake systems are self-adjusting. Parking brake is cable actuated on rear brake systems.

## ADJUSTMENT

## PEDAL HEIGHT &amp; FREE PLAY

Adjust pedal height (measured from pedal pad to floor) to specification shown in table by moving stop light switch. Loosen operating rod lock nut and turn operating rod to attain proper height, tighten lock nut and adjust stop light switch. Pedal free play should be .04-.20" (1-5 mm). If specification is exceeded, adjust push rod length.

## Pedal Height Specifications

Application	Pedal Height In. (mm)
200SX .....	6.1-6.3 (155-160)
280ZX	
Man. Trans. ....	7.1-7.3 (181-186)
Auto. Trans. ....	7.5-7.7 (190-196)

## STOP LIGHT SWITCH

Stop light switch is located under dash panel at brake pedal. Adjust travel during pedal height adjustment. After obtaining correct pedal height, position stop light switch until it just contacts brake pedal arm. Tighten lock nut.

## PARKING BRAKE

**200SX** — Adjust parking brake by rotating turnbuckle. Rear wheels should lock when brake lever is pulled 7-8 notches with 44 lbs. (20 kg) force. After releasing lever, ensure rear wheels rotate freely, rear cables are not slack and that rear brake toggle levers are in original positions.

**280ZX** — Adjust front cable adjusting nut so when parking brake lever is pulled with 60 lbs. (27 kg) force, lever stroke is 4-6 notches and rear wheels are locked. After releasing lever, ensure rear wheels rotate freely, rear cables are not slack and that rear brake toggle levers are in original positions.

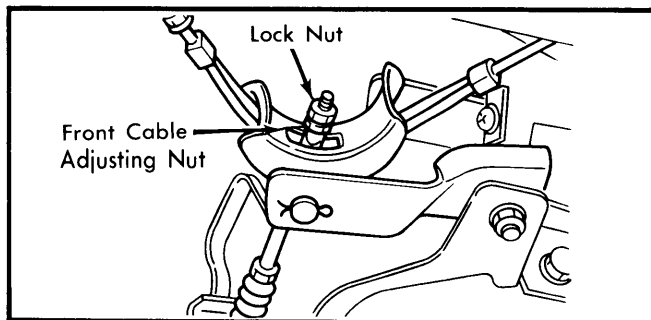


Fig. 1 Location for Adjusting 280ZX Parking Brake

## BRAKE WARNING LIGHT

Light indicates parking brake is engaged and also warns of low brake fluid level. To adjust light operation with parking brake applied, bend switch plate down until light comes on when brake lever is pulled up 1 notch and goes out when lever is released (ignition on). To check warning light operation, release parking brake lever and raise master cylinder reservoir cap (ignition on). Warning light should glow. If not, check switch and wire connector.

## REMOVAL &amp; INSTALLATION

## FRONT DISC BRAKE PADS

**Removal (200SX)** — Raise and support vehicle; remove tire and wheel. Remove retaining pin clips, retaining pins and pad springs. Remove pads from caliper assembly, using suitable pliers if necessary.

**CAUTION** — DO NOT force piston groove inside piston seal. Piston seal could be damaged and caliper will have to be disassembled.

**Installation** — 1) Clean and apply P.B.C. grease to cylinder body yoke guide groove, yoke sliding contact points and piston end surface. Loosen bleeder screw and push outer piston into cylinder until piston end surface coincides with boot retaining ring end surface. Tighten bleeder screw and install inner brake pad.

2) Push inner piston into cylinder by pulling on yoke, then install outer pad. Install pad springs, retaining pins and clips. Depress brake pedal several times to seat pads and bleed hydraulic system if necessary.

**Removal (280ZX)** — Raise and support vehicle; remove tire and wheel. Remove lower pin bolt and rotate caliper body upward. Remove pad retainers, shims and brake pads.

**NOTE** — Do not pull caliper body away from rotor; use upper pin bolt as center of rotation.

**Installation** — 1) Clean piston and area around pin bolts with brake fluid. Install inner pad and seat piston by placing lever through opening in caliper body and pushing piston into bore. Apply brake grease to pad retainer points on caliper assembly and install outer pad and both shims.

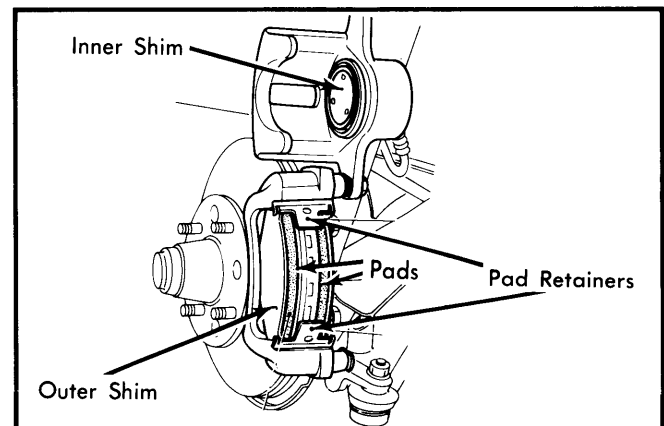


Fig. 2 Front Disc Brake Pad Retainer Location on 280ZX

## DATSUN 200SX & 280ZX (Cont.)

2) Install pad retainers. Rotate caliper body down into original position and install lower pin bolt. Tighten pin bolt and depress brake pedal several times to seat pads.

### FRONT DISC BRAKE CALIPER

**Removal** — Raise and support vehicle; remove tire and wheel. Remove brake pads (200SX only) and disconnect and plug hydraulic line from caliper. Remove caliper mounting bolts and remove caliper assembly. On 280ZX only, remove carrier mounting bolts and carrier.

**Installation** — To install, reverse removal procedure, tighten caliper bolts securely and bleed hydraulic system.

### FRONT DISC BRAKE ROTOR

**Removal** — Remove caliper assembly as previously described and hang from frame with wire; DO NOT disconnect hydraulic line. Remove hub dust cap, "O" ring, cotter pin, adjusting cap and lock nut. Remove hub and rotor assembly from spindle without dropping outer bearing and washer. Remove outer bearing, washer and hub-to-rotor bolts. Separate rotor from hub.

**NOTE** — Avoid damage to hub dust cap "O" ring during removal of dust cap.

**Installation** — Reverse removal procedure and adjust front wheel bearings. See *Wheel Bearing Adjustment* in **WHEEL ALIGNMENT** Section.

### REAR DISC BRAKE PADS

**Removal** — Raise and support vehicle; remove tire and wheel. Remove pin clip, then remove pad pins while holding anti-squeal springs with fingers. Remove disc pads and shims (200SX).

**Installation** — 1) Apply brake grease to caliper body-to-pad clearance, yoke-to-pad clearance, pin-to-pad clearance, pin-to-bracket clearance and both sides of shims (200SX). Preset piston before installing pads by pushing and turning outer piston clockwise until it retracts into caliper body. Preset yoke clearance by placing a lever between rotor and yoke; move yoke until clearance is equal to piston clearance.

**NOTE** — Avoid damaging dust seal while turning outer piston.

2) Align outer piston so cut out portion is level and install inner pad with protrusion of pad seated in piston cut out. Install shims on 200SX. Install outer pad, anti-squeal springs, pad pins and pin clip. Depress brake pedal several times to adjust pad-to-rotor clearance; clearance is correct when pedal stroke is constant. Add brake fluid and bleed hydraulic system.

### REAR DISC BRAKE CALIPER

**Removal** — Disconnect hydraulic line from caliper and plug openings. Disconnect parking brake cable. Remove mounting bolts and remove caliper.

**Installation** — Reverse removal procedure and bleed hydraulic system if necessary. Depress brake pedal several times; when pedal stroke is constant, brake pad-to-rotor

clearance is properly adjusted. Turn rotor to make sure no excessive drag is present.

### REAR DISC BRAKE ROTOR

**Removal** — With caliper removed, pull rotor from axle stub.

**Installation** — Install rotor and caliper assembly. After installation, depress pedal until pedal stroke is constant to adjust pad-to-rotor clearance.

### MASTER CYLINDER

**Removal** — Remove heat shield plate (if equipped). Disconnect brake fluid level gauge wiring and hydraulic lines from master cylinder. Remove master cylinder-to-power unit mounting nuts and remove master cylinder from power brake unit.

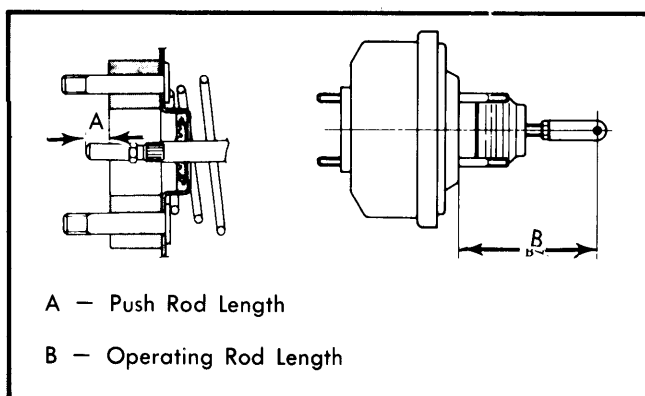
**Installation** — Reverse removal procedure, check pedal height and bleed hydraulic system.

### POWER BRAKE UNIT

**NOTE** — Before removal, test check valve. Using suitable brake booster tester, apply 19.7 in. Hg to brake unit side of 200SX check valve; 7.9 in. Hg to brake unit side of 280ZX check valve. If pressure drops more than .39 in. Hg in 15 seconds, replace check valve. Also, if valve does not open when pressure is applied to brake unit side of check valve, replace check valve. If check valve is not defective, check brake system and vacuum lines for leaks; replace booster as an assembly.

**Removal** — Disconnect power unit push rod from brake pedal by removing clevis pin. Disconnect hydraulic lines from master cylinder, vacuum line from power unit, remove master cylinder mounting nuts, and remove master cylinder. Remove nuts attaching power unit to firewall, and remove power unit from engine compartment.

**Installation** — Reverse removal procedure and check push rod length, operating rod length and pedal height. Push rod length should be .38-.39" (9.75-10 mm) on 200SX and .37-.41" (9.5-10.5 mm) on 280ZX. Push rod length on 200SX can NOT be adjusted; if not to specification, replace power unit. Adjust push rod length on 280ZX by turning tip of push rod.



**Fig. 3 Location for Measuring Push Rod and Operating Rod Lengths**

## DATSUN 200SX &amp; 280ZX (Cont.)

2) Operating rod length should be 5.12" (130 mm) on 200SX and 5.63" (143 mm) on 280ZX. Adjust operating rod length by loosening lock nut and turning operating rod to attain proper length. Tighten lock nut and clevis. Bleed hydraulic system.

**Check Valve Replacement** — Check valve is located in vacuum line between intake manifold and power unit on firewall. To remove, disconnect retaining clip from firewall, remove hose clamps, separate hoses from valve, and remove check valve. To install, reverse removal procedure.

## OVERHAUL

## FRONT DISC BRAKE CALIPER

**Disassembly (200SX)** — With caliper and pads removed, drain any remaining fluid from cylinder. Remove gripper pin attaching bolts. Separate yoke and cylinder body. Remove yoke holder from piston. Remove retaining rings and dust seals from pistons. Push both pistons out in one direction. Remove piston seals. Remove gripper, if necessary.

**Cleaning & Inspection** — Clean all parts with brake fluid and check all components for wear or damage. If minor corrosion cannot be removed from cylinder bore with fine emery cloth, cylinder must be replaced. Replace all seals during overhaul.

**NOTE** — Piston surfaces are plated and must be replaced if corroded or worn. DO NOT polish with emery cloth.

**Reassembly** — 1) Install piston seals without damaging seals. Coat cylinder bore and pistons with brake fluid. Push outer piston into cylinder until piston end surface coincides with boot retaining ring end surface. DO NOT force piston groove inside piston seal. Push inner piston into cylinder bore by holding cylinder body and align piston yoke groove with cylinder yoke groove.

2) Apply brake grease to sealing surface of dust seal and install dust seal; clamping securely with retaining ring. Install yoke holder to inner piston. Install gripper to yoke. Apply 1%

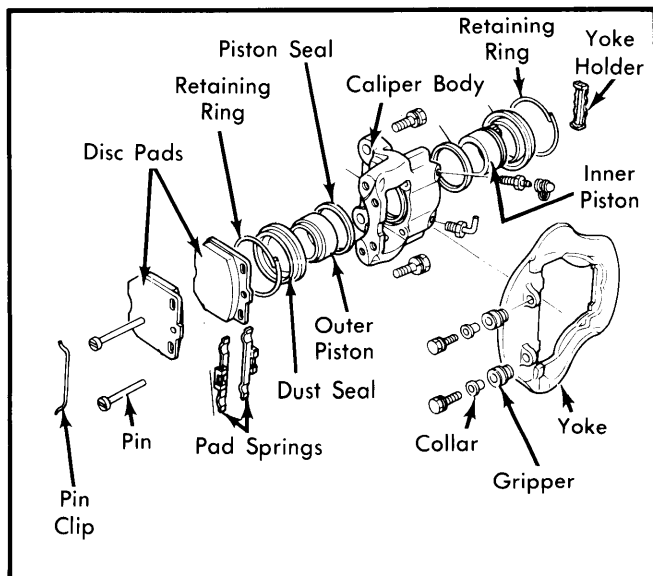


Fig. 4 Exploded View of 200SX Front Disc Brake Caliper

soap solution to inner gripper wall and drive gripper pin into position. Install yoke to yoke holder by supporting outer piston end and pressing yoke into yoke holder with 44-66 lb. (20-30 kg) force. No clearance should be present between piston and yoke.

**Disassembly (280ZX)** — Drain brake fluid from caliper body and clean exterior of caliper assembly. Remove pin bolts, separate caliper body from pad carrier and remove pad retainers and pads. Force piston and dust seal out of bore by applying compressed air to brake inlet. Remove piston seal without damaging seal and bore. Remove sub pin, main pin, sub pin bushing and seals.

**Cleaning & Inspection** — Clean all parts in brake fluid only. Check caliper bore for wear, rust, corrosion or other damage; minor deposits or scratches can be removed with fine emery cloth. Check pad carrier for wear, cracks or other damage; replace if defective. Check piston for rust, wear or damage; replace if defective. Check main pin and sub pin for wear, cracks or other damage; replace if defective. Replace piston seal and dust seals during overhaul.

**Reassembly** — 1) Apply brake fluid to sliding portions of piston and caliper bore. Apply rubber grease to inside of dust seals. Install piston seal in bore; install dust seal on piston and slide piston into caliper bore. Secure dust seal in piston groove and caliper groove.

2) Apply multi-purpose grease to sub pin rubber bushing, main pin and sub pin. Install seals, sub pin rubber bushing, sub pin and main pin. Apply brake grease to disc pad-to-carrier contact portions and mount pad carrier to caliper body. Install upper pin bolt, install disc pads, shims and rotate caliper down into position and install lower pin bolt. When caliper assembly is mounted on vehicle, turn rotor to ensure there is not excessive drag.

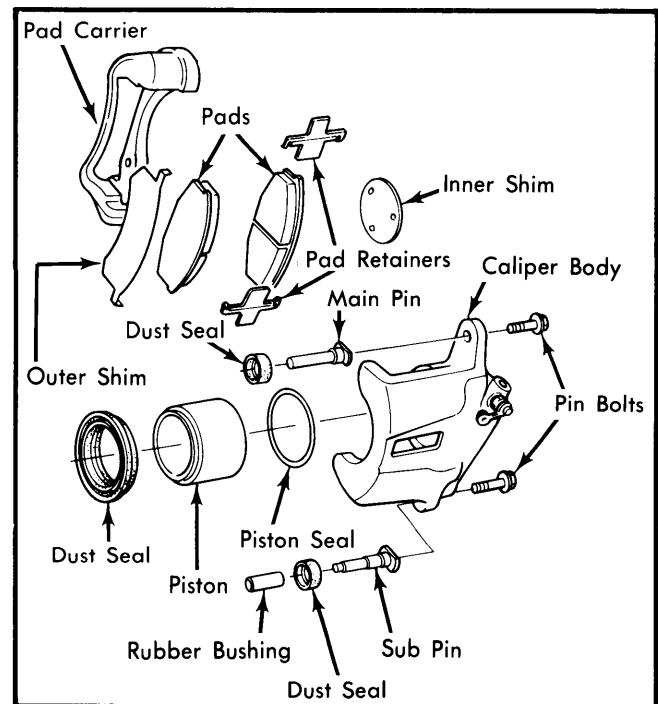


Fig. 5 Exploded View of 280ZX Front Disc Brake Caliper

## DATSUN 200SX & 280ZX (Cont.)

### REAR DISC BRAKE CALIPER

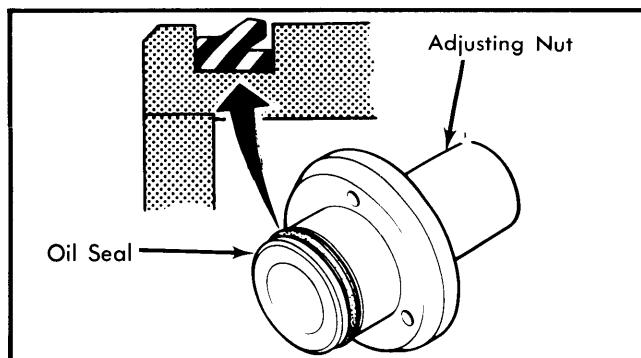
**Disassembly** — 1) Drain brake fluid from caliper body and clean exterior of caliper. Remove pads. Place caliper assembly on a work bench with yoke down; push in caliper body and separate caliper and yoke. Remove retaining rings and dust seals from piston ends. Push out piston to remove piston assembly from caliper bore. Remove piston seals without damaging caliper bore.

2) Disengage piston assembly by turning inner and outer pistons counterclockwise. Disassemble outer piston by removing outer piston snap ring. Remove spacers, wave washer, bearing, adjusting nut and oil seal. To disassemble inner piston, remove inner piston snap ring. Remove spring cover, spring and spring seat. Remove push rod retaining ring, key plate, push rod, "O" ring and strut. Place parking brake lever in vise and remove nut, washer, return spring, lever, dust seal and cam.

**Cleaning & Inspection** — Clean all parts in brake fluid only. Check caliper bore for wear, rust, corrosion or other damage; minor deposits or scratches can be removed with fine emery cloth. Check yoke for wear, cracks or other damage; replace if defective. Check pistons for rust, wear or damage; replace if defective. Replace piston seals, dust seals, oil seal and push rod "O" ring during overhaul.

**NOTE** — DO NOT use abrasives on piston plated surfaces.

**Reassembly** — 1) Apply suitable grease to push rod groove, "O" ring, strut ends, oil seal, piston seals and inside dust seals. Install new oil seal on adjusting nut. See Fig. 7. Slide adjusting nut and seal into outer piston, then install bearing, spacer, wave washer, second spacer and secure components in position with outer piston snap ring.

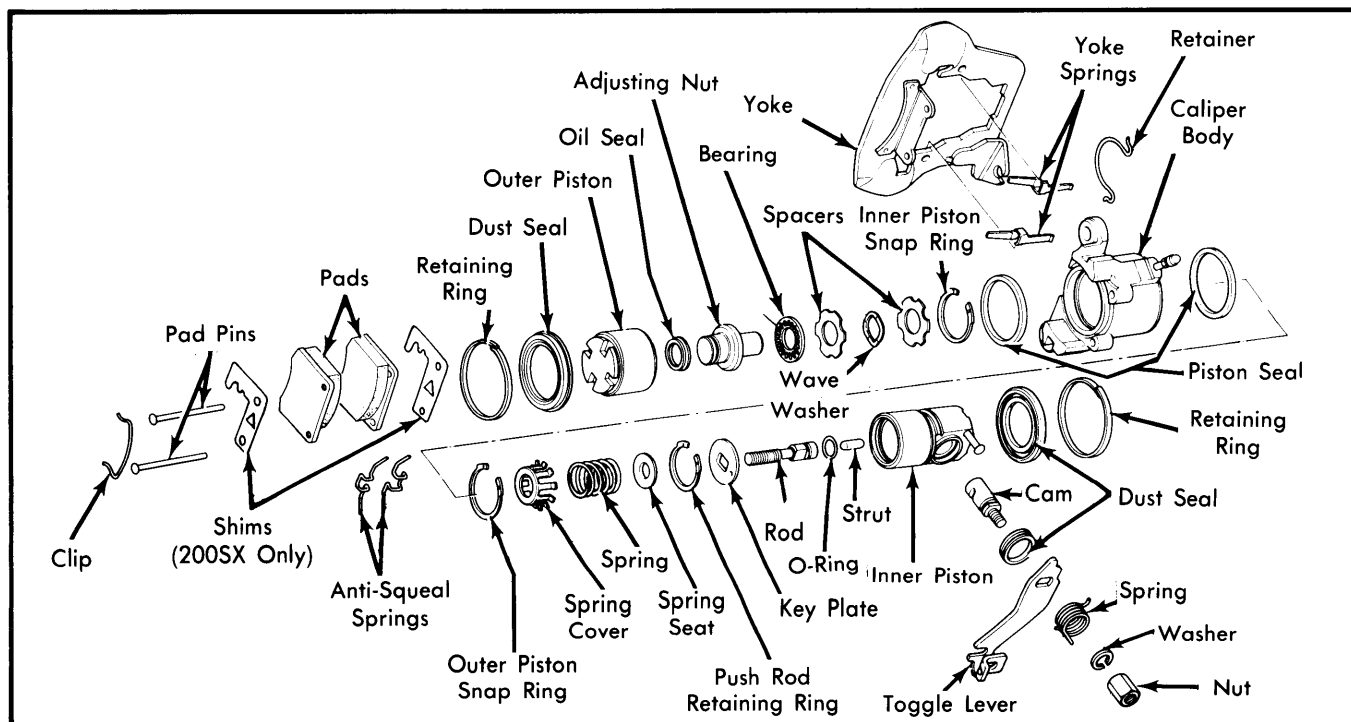


**Fig. 7 Installation of Oil Seal on Rear Caliper Adjusting Nut**

2) Place cam inside inner piston and securely fit strut in cam hole. Install "O" ring on push rod without twisting "O" ring. Align square hole in key plate with push rod and slide assembly into inner piston bore; rounded portion of plate must seat in piston. Install push rod retaining ring. Position spring seat, spring and spring cover in position. Hold spring and spring cover in position with suitable drift and install inner piston snap ring.

**NOTE** — Do not use excessive force on spring cover; cover will require replacement if deformed.

3) Install toggle lever dust seal on cam (cam must face direction of parking brake operation) and align square hole in toggle lever on cam. Install return spring, lock washer and tighten nut. Reassemble piston assembly by turning clockwise. Coat sliding portions of piston assembly and caliper bore with brake fluid. Slide piston assembly into bore (outside piston first) from rear of caliper assembly. Install new dust seals and secure in position with retainer rings.



**Fig. 6 Exploded View of Rear Disc Brake Caliper**

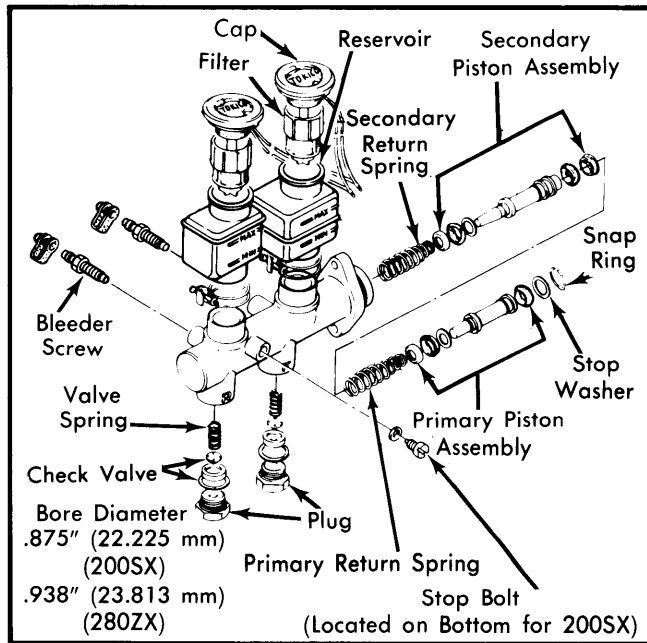
## DATSUN 200SX & 280ZX (Cont.)

4) Install yoke springs to yoke. Coat yoke and caliper body frictional surfaces and caliper body pad pin holes with silicone grease. Align cut out portion of inner piston with yoke and reassemble yoke to caliper. Securely position retainer in piston groove.

5) Apply brake grease to caliper body-to-pad clearance, yoke-to-pad clearance, pad pin-to-pad clearance and pad pin-to-bracket clearance. Install pads, springs, pins and clip.

### MASTER CYLINDER

**Disassembly** — Remove reservoir caps and filters; drain brake fluid. Remove snap ring and stopper bolt. Withdraw stopper, primary piston assembly, secondary piston assembly and springs. Remove check valve plugs and withdraw check valve assemblies.



**Fig. 8 Exploded View of Tokico Master Cylinder**  
Nabco Master Cylinder is Similar But Has Different Piston Configuration for 280ZX

**NOTE** — Do not remove reservoir tanks. If tanks are removed for any reason, discard and install new tanks. Also, do not remove or disassemble brake fluid level gauge.

**Cleaning & Inspection** — Clean all parts in brake fluid and check components for excessive wear or damage. If piston-to-cylinder clearance exceeds .006" (.15 mm) replace defective part. Caps, gaskets, packing and valves must be replaced during overhaul.

**NOTE** — Master cylinders are produced by two companies and parts are not interchangeable. Ensure repair kit matches master cylinder. Only "Tokico" master cylinder is used on 200SX.

**Reassembly** — Reverse disassembly procedure and note the following: Apply rubber grease to all rubber parts and brake fluid to remaining parts when assembling to prevent damage.

### POWER BRAKE UNIT

**NOTE** — Manufacturer does not recommend disassembly of this unit. If a problem is determined to be in power brake unit, complete assembly must be replaced. Do not disassemble power brake unit.

### TIGHTENING SPECIFICATIONS

Application	Ft. Lbs. (mkg)
Hub-to-Rotor Bolts	
200SX (Front) .....	28-38 (3.9-5.3)
280ZX (Front) .....	40-54 (5.5-7.5)
Front Disc Brake Caliper	
200SX	
Yoke-to-Caliper Bolts .....	12-15 (1.5-2.0)
Caliper Mounting Bolts .....	53-72 (7.3-9.9)
280ZX	
Caliper-to-Carrier Bolts .....	16-23 (2.2-3.2)
Carrier Mounting Bolts .....	53-72 (7.3-9.9)
Rear Disc Brake Caliper	
Toggle Lever Nut .....	18-22 (2.5-3.0)
Caliper Mounting Bolts .....	28-38 (3.9-5.3)

### DISC BRAKE SPECIFICATIONS

Application	Caliper Bore Diameter In. (mm)	Lateral Runout In. (mm)	Parallelism In. (mm)	Original Thickness In. (mm)	Minimum Refinish Thickness In. (mm)	Discard Thickness In. (mm)
200SX						
Front	2.125 (53.98)	.0047⊙ (.12)	.0028 (.07)	.492 (12.5)	.....	.413 (10.5)
Rear	1.593 (40.46)	.0059⊙ (.15)	.0028 (.07)	.378 (9.6)	.....	.339 (8.6)
280ZX						
Front	2.386 (60.6)	.0039⊙ (.10)	.0012 (.03)	.787 (20)	.....	.709 (18)
Rear	1.685 (42.8)	.0059⊙ (.15)	.0012 (.03)	.378 (9.6)	.....	.339 (8.6)

⊙ — Maximum allowable at center of pad contact area.