

Steering Gears & Linkage

VOLKSWAGEN DASHER RACK & PINION

DESCRIPTION

The Volkswagen Dasher is equipped with an adjustable rack and pinion steering gear. Attached to center of the rack housing are 2 tie rods. A steering damper is also used.

REMOVAL & INSTALLATION

Removal - 1) Bend back tabs on locking plate at center of rack housing and remove both tie rod bolts. Move tie rods so that gear will have clearance for removal.

2) Unbolt pinch clamp at pinion-to-column connection. Remove lower instrument panel. Loosen steering column flange at toe board. Drive steering flange tube off of steering gear.

3) Remove gear mounting screw at right end of rack housing, then unbolt rack mounting at left end. Turn front wheels to right lock, and remove steering gear through right wheel housing.

Installation - To install, reverse removal procedure and tighten all fasteners to specifications.

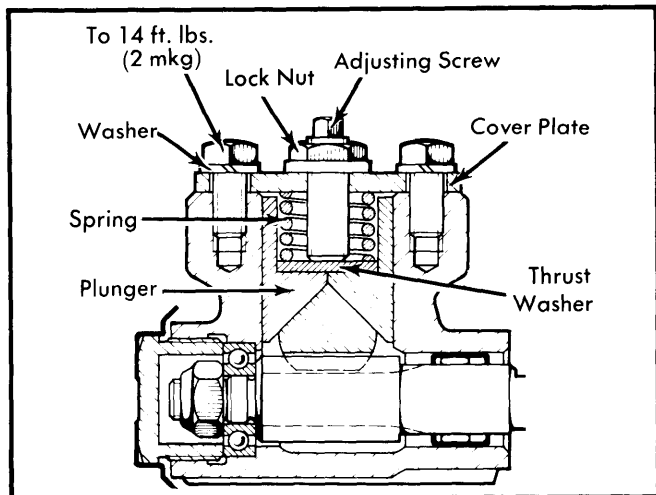


Fig. 1 Sectional View of Adjustable Steering Gear

ADJUSTMENT

With components installed on vehicle, tighten adjusting screw by hand until screw just contacts thrust washer. Hold adjusting screw in position and tighten lock nut (Fig. 1).

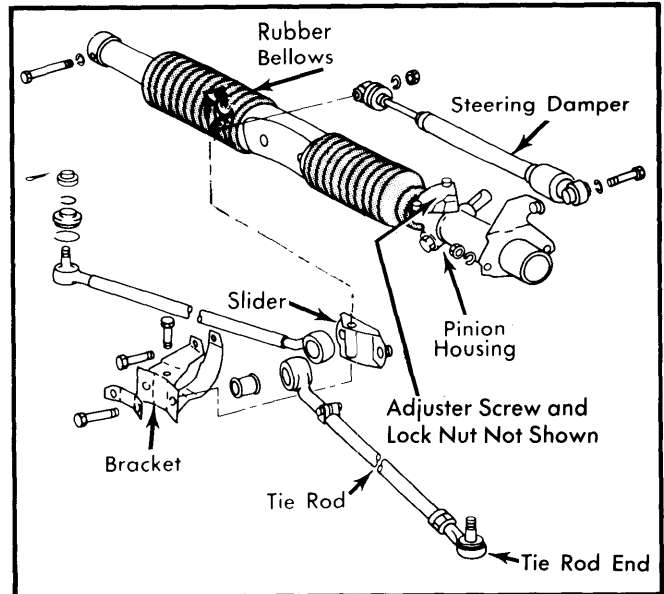


Fig. 2 Volkswagen Dasher Rack and Pinion Assembly

OVERHAUL

NOTE - Manufacturer does not recommend overhaul of this unit. If it is determined to be defective, replace as an assembly.

TIGHTENING SPECIFICATIONS

Application	Ft. Lbs. (mkg)
Gear Box-to-Brackets	14 (2.0)
Tie Rods-to-Rack	40 (5.5)
Pinion Shaft Clamp Pinch Bolt	22 (3.0)