

VOLKSWAGEN JETTA, RABBIT, PICKUP & SCIROCCO

DESCRIPTION

Volkswagen Jetta, Rabbit, Rabbit Pickup and Scirocco models use a swing-away type steering column. The column is held in place by a clamp and leaf spring. On impact, the lower angled portion of the column pushes upper column against leaf spring. The spring allows the column to disengage and swing to the side.

REMOVAL & INSTALLATION

STEERING COLUMN ASSEMBLY

NOTE — Do not attempt to remove steering shaft from column without first removing entire assembly from the vehicle.

Removal — 1) Disconnect battery ground. Remove steering wheel. See Volkswagen under **STEERING WHEEL & COLUMN SWITCHES** in this Section.

2) Remove socket head bolt and Phillips head screw from switch housing recess. Tilt switch unit toward instrument panel. Pry off spacer sleeve on steering column. Pull switch unit up enough to disconnect wires. Remove switch unit from column.

3) Disconnect steering shaft from "U" joint shaft. Disconnect brake pedal push rod. Separate clutch pedal from actuating cable under instrument panel.

4) Push leaf spring retainer clip down with a screwdriver and disengage it from mounting slot. Remove bolts mounting column under instrument panel. Shear bolts will have to be centerpunched and drilled out. Pull entire column (with shaft) out of vehicle.

Bearing Replacement — Drive steering shaft from column. Remove bearings. Press in steering shaft and bearings. It should not take more than a force of 100-200 lbs. (45-90 kgs) to properly seat bearings into position.

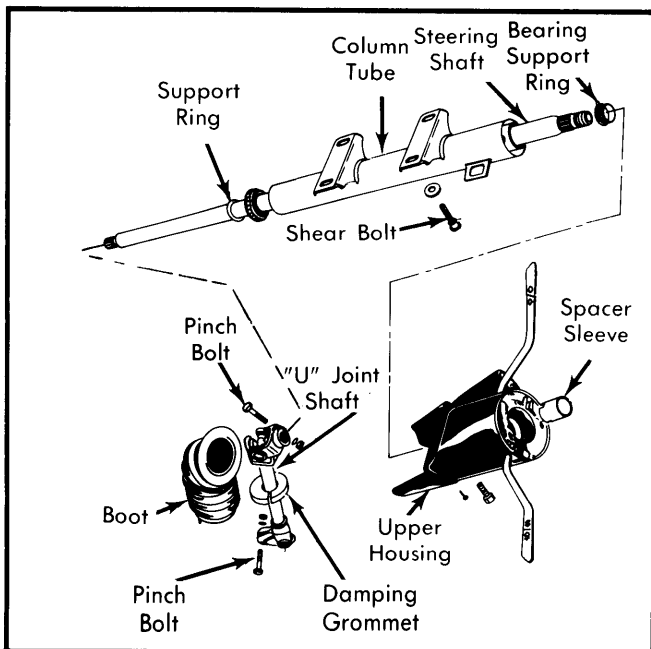


Fig. 1 Exploded View of Jetta, Rabbit, Rabbit Pickup and Scirocco Steering Column

Installation — To install, reverse removal procedure and note: Make sure front wheels point straight-ahead before tightening pinch bolt. Before fitting column switch unit, install spacer to dimensions shown in Fig. 2. Adjust both brake pedal and clutch pedal height.

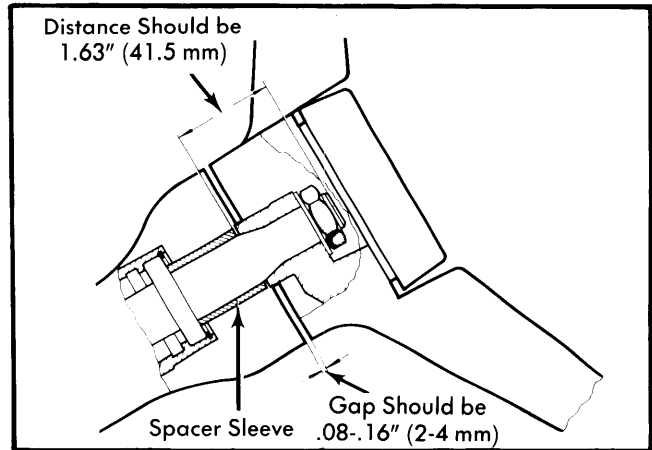


Fig. 2 Spacer Sleeve Adjustment Dimensions

"U" JOINT SHAFT

Removal — 1) Separate manual gearshift linkage from steering box.

2) Remove pinch bolt connecting lower end of "U" joint shaft with steering gear pinion shaft.

3) Remove nuts mounting steering gear box to frame. Pull box down to separate from lower "U" joint. Remove rubber boot from lower "U" joint.

4) Remove pinch bolt connecting upper "U" joint to steering shaft. Pull down on joint and remove shaft with "U" joints from vehicle.

Installation — 1) Fit "U" joint to steering shaft. Make sure notch in steering shaft aligns with slot in lower "U" joint.

2) Install boot and damping grommet. Fit steering gear box to frame while guiding pinion shaft into lower "U" joint. Finger tighten gear box nuts.

3) Place front wheels straight-ahead. Align pinion shaft and "U" joint. Tighten pinch bolt. Tighten gear box nuts. Connect manual gearshift linkage to gear box. Check linkage operation.

TIGHTENING SPECIFICATIONS

Application	Ft. Lbs. (mkg)
Steering Wheel Nut	36 (5.0)
Steering Column-to-Instrument Panel Mounting Bolt	14 (2.0)
Shear Bolts	⓪
Pinch Bolts	22 (3.0)
⓪ — Until bolt head snaps.	