

10-16 Steering Wheel & Column Switches

TRIUMPH (Cont.)

IGNITION SWITCH AND STEERING COLUMN LOCK

Removal — Disconnect battery ground cable. On Spitfire only, remove nuts and washers securing steering lock shroud and withdraw shroud and column support. On all models, center punch both shear bolts mounting steering lock to column. Using a small chisel (or equivalent), remove bolts. Disconnect electrical plug and remove steering lock.

NOTE — It is possible to remove ignition switch without taking out column lock. There are 2 set screws mounting switch assembly in column lock housing.

Installation — To install ignition switch and steering column lock, reverse removal procedure and note the following: Ensure dowel pin aligns in column drilling. Fit new shear head bolts and tighten evenly.

VOLKSWAGEN

Dasher
Jetta
Rabbit

Rabbit Pickup
Scirocco
Vanagon

REMOVAL & INSTALLATION

HORN PAD & STEERING WHEEL

Disconnect battery ground cable. Carefully pry off horn pad and disconnect electrical connectors. Remove steering wheel retaining nut and washer (if equipped). Pull wheel off shaft.

CAUTION — Steering column has a collapsible section. Care must be used when working with steering assembly.

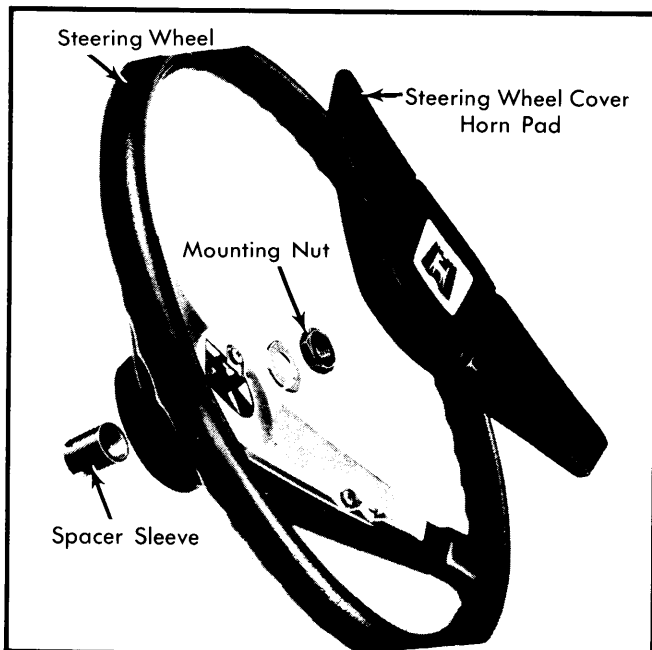


Fig. 1 Typical Volkswagen Steering Wheel Rabbit and Scirocco Shown

COMBINATION SWITCH

Removal (Dasher) — Disconnect battery ground. Remove steering wheel. Remove 2 screws mounting lower switch housing. Disconnect electrical wires. Remove 3 screws attaching turn signal and wiper switches to ignition switch mounting. Remove switches.

Installation — To install, reverse removal procedures and note: Drive spacer sleeve on until upper end of spacer is flush with bevel on steering column. Make sure steering wheel is installed with lug for turn signal cancel mechanism facing left side of vehicle.

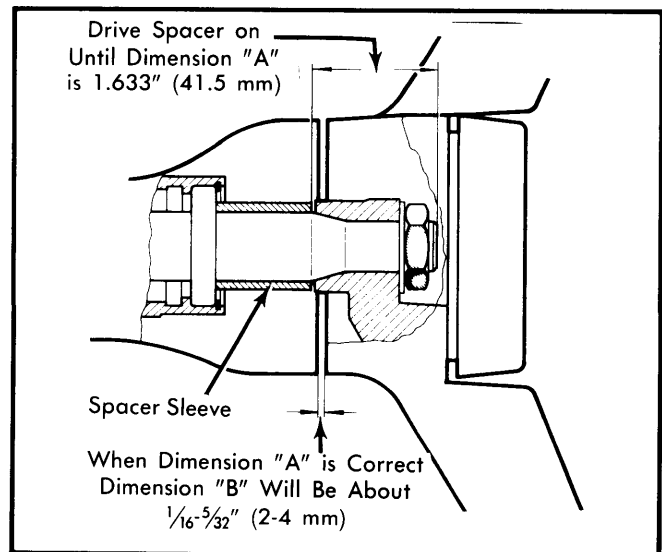


Fig. 2 Dimensions for Installing Spacer Sleeve

Removal (All Others) — Disconnect battery ground cable and remove steering wheel as previously outlined. Remove 3 screws securing switch assembly to steering lock mechanism. Force switch assembly toward instrument panel and remove spacer sleeve. Pull up on switch assembly and disconnect electrical wires. Remove switch and separate windshield wiper lever from dimmer/turn signal lever.

Installation — Refit switches together with screw and spacer sleeve. Slide switch assembly onto column and hook up wires. Spacer sleeve must be installed as shown in Fig. 2.

COLUMN LOCK & IGNITION SWITCH

Removal — 1) Disconnect battery ground cable and remove steering wheel and combination switch as previously outlined. If necessary, drill a 1/8" (3.18 mm) hole in cylinder to gain access to cylinder release pin. Refer to Fig. 3 for location of access hole.

Steering Wheel & Column Switches 10-17

STEERING

VOLKSWAGEN (Cont.)

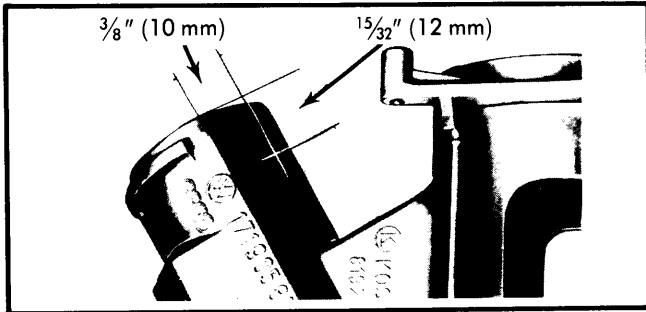


Fig. 3 Location for Drilling into Lock Cylinder

2) Insert a pin through hole and press down spring holding lock cylinder in housing. It may be necessary to insert key to pull out cylinder. To remove ignition switch, remove locking mechanism shear bolts and remove switch housing. Remove set screw on back side of switch, near wire connector. Remove ignition switch.

Installation — To install, reverse removal procedure and note: Before shearing bolt head, set clearance between steering wheel and switch to .08-.12" (2-3 mm).

VOLVO

Coupe
Diesel
DL

GL
GLE
GT

REMOVAL & INSTALLATION

HORN PAD & STEERING WHEEL

Removal — Disconnect battery cable. Remove horn pad by squeezing top and bottom towards center of pad and unfolding upper edge of pad. Disconnect electrical wires and remove steering wheel nut. Use puller (2263) to remove steering wheel.

Installation — To install, reverse removal procedure.

TURN SIGNAL & WIPER SWITCHES

NOTE — Steering wheel does not have to be removed to remove combination switch; however, removal of switch is easier with steering wheel removed.

Removal — Disconnect battery ground cable. Remove column covers from steering column. Disconnect electrical connectors from switches to be removed and remove switches.

Installation — To install, reverse removal procedure.

IGNITION SWITCH & STEERING LOCK

Removal — Disconnect battery ground. Remove steering wheel and column covers. Remove turn signal and wiper switches. Remove upper bearing spring and race. Drill out center of shear bolts and remove with suitable screw extractor. Remove lock assembly. Disconnect electrical connections and remove ignition switch.

Installation — To install, reverse removal procedure and note: Position front of lock assembly 3.81" (97 mm) from upper end of steering column.

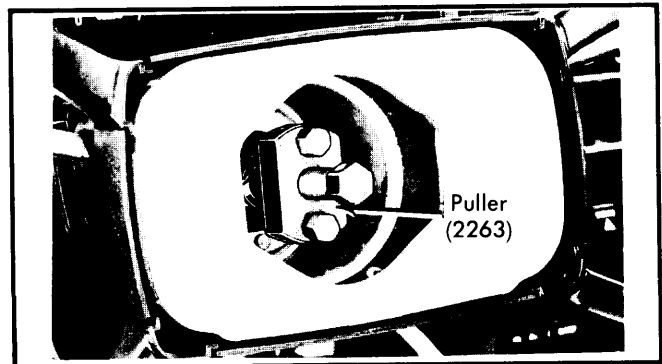


Fig. 1 Using Puller to Remove Steering Wheel