

Steering Gears & Linkage

VOLKSWAGEN RABBIT, SCIROCCO RACK & PINION

Rabbit
Scirocco

DESCRIPTION

Steering gear is a rack and pinion type. Tie rods attach to ends of rack. Late production racks are mounted with "U" bolts and rubber bushings rather than welded mounting plates.

REMOVAL & INSTALLATION

Removal - Disconnect shift linkage bearing plate from rack housing. Loosen pinch bolts on steering shaft and remove shaft from pinion. Disconnect tie rod ends from steering linkage, using suitable puller. Remove mounting bolts and remove rack with tie rods attached.

Installation - When installing steering gear assembly, correctly align and insert pinion shaft with steering shaft lower universal joint before securing steering gear housing clamp bolts. Connect tie rod outer ends to steering linkage. Tighten upper and lower universal joint pinch bolts. Connect and adjust shift linkage bearing plate to gear housing.

ADJUSTMENT

RACK & TIE RODS

1) Center rack in housing so rack protrudes an equal amount from each end of housing.

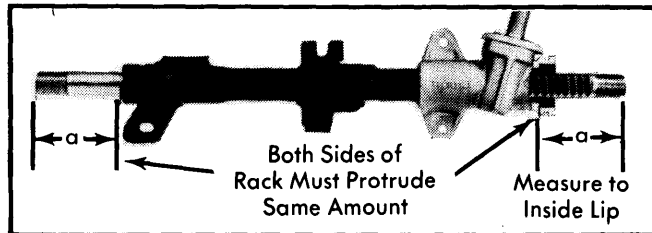


Fig. 1 Centering Rack in Steering Gear Housing

2) If replacing the non-adjustable left tie rod with adjustable type, adjust tie rod length "D" to 14.92" (379 mm).

3) Screw tie rods onto rack and adjust to specified dimensions without moving rack from center position. When adjustment is correct, secure tie rods with lock nuts and install rubber boots. See Fig. 2.

Tie Rod Specifications

Application	Dimension "B"	Dimension "C"
Man. Trans.	2.72" (69 mm)	2.72" (69 mm)
Auto. Trans.	2.64" (67 mm)	2.72" (69 mm)

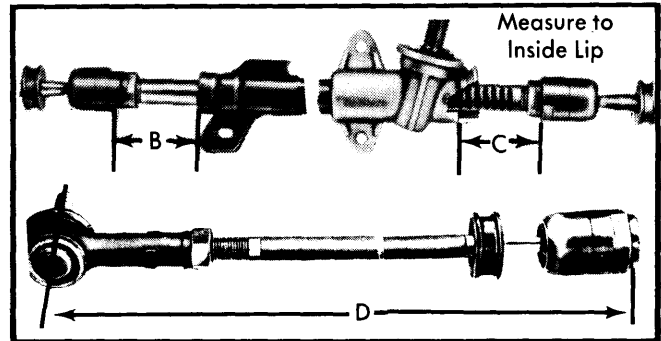


Fig. 2 Installation Adjustment of Tie Rods on Rack

4) Loosen pinion shaft adjusting screw lock nut, then turn adjusting bolt until it just contacts thrust washer. Tighten lock nut.

TIGHTENING SPECIFICATIONS

Application	Ft. Lbs. (mkg)
Tie Rod End to Steering Arm	22 (3.0)
Tie Rod End Locknut	29 (4.0)
Gear Box Mounting Bolts	
Welded Mounts	14 (2.0)
Rubber Bushing Mounts	22 (3.0)
Universal Joint Pinch Bolt	22 (3.0)

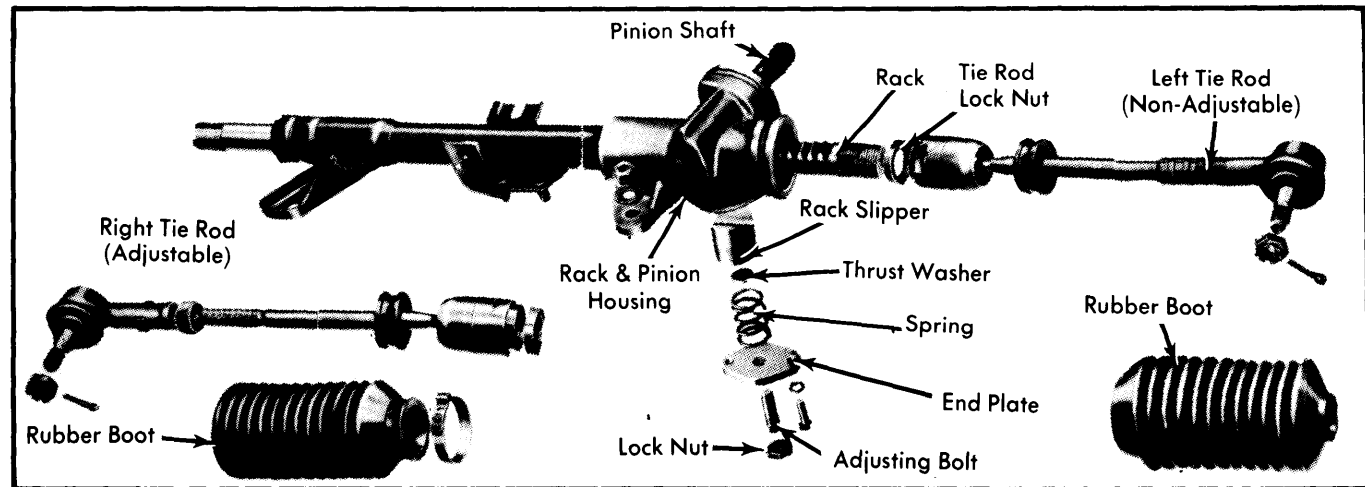


Fig. 3 Disassembled View of Rack & Pinion Steering Gear Assembly