

Rear Suspension

HONDA

Civic
Civic CVCC
Accord

DESCRIPTION

Rear suspension system on all models is an independent type. Major components are: Control arm (lower), shock absorber with coil spring assembly, radius rod, and rear hub carrier. Radius rod controls rear wheel alignment.

REMOVAL & INSTALLATION

SHOCK ABSORBER

Removal – 1) Raise vehicle and suitably support on safety stands. Remove rear wheels. Disconnect brake line from bracket on shock absorber housing. Plug open ends and place lines out of way. Disconnect parking brake cable from lever on backing plate.

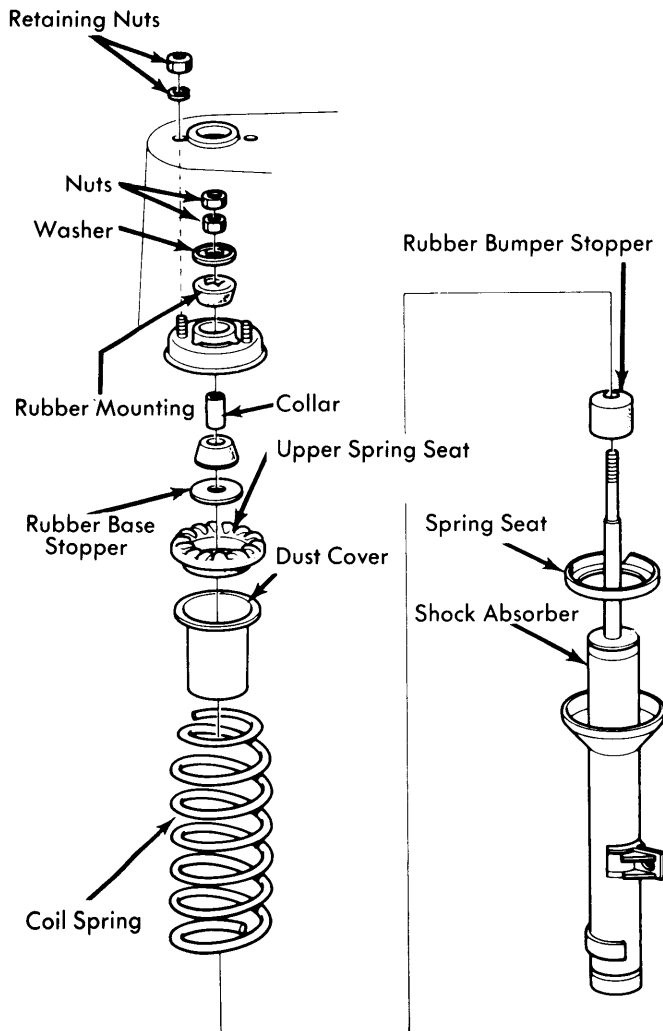


Fig. 1 Exploded View of Accord Shock Absorber Assy.
(Others Similar)

2) Remove bolt mounting shock absorber to knuckle. Remove cotter pin and loosen outer control arm pivot bolt. Remove two upper shock absorber retaining nuts. Lower shock absorber and coil spring from vehicle.

Disassembly – Fit spring compressor and slightly compress coils. Remove lock nut and piston rod center nut. Take off upper mounting hardware and coil spring.

Inspection – Check piston rod for smooth, even operation. Inspect for signs of oil leaks. Listen for noise or unusual binding during inspection.

Installation – To install, reverse removal procedure and note following: Install top of shock absorber first. After installation, bleed brake system.

REAR WHEEL HUB CARRIER

Removal – Raise vehicle and place on safety stands. Remove wheel and brake drum. Disconnect and plug brake lines. Remove bolt mounting shock absorber to hub carrier. Disconnect control arm and radius rod from hub carrier. Maneuver hub carrier from vehicle.

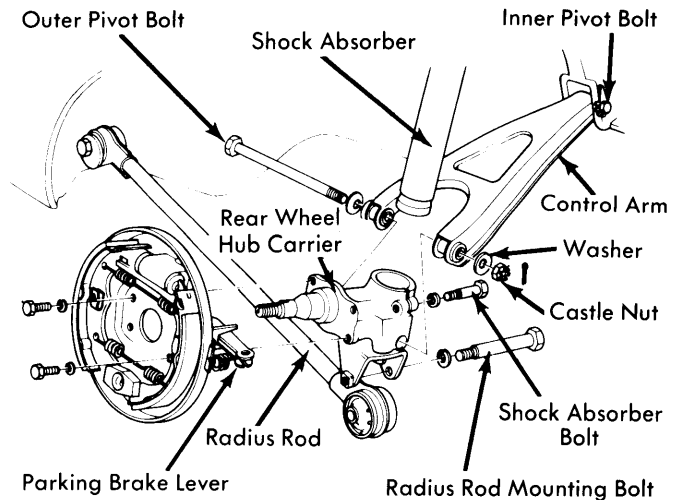


Fig. 2 Exploded View of Accord Rear Suspension
(Others Similar)

Installation – To install hub carrier, reverse removal procedure and note following: Bleed brake system and check rear wheel alignment.

RADIUS ROD

Removal – Raise and suitably support vehicle. Remove bolt mounting radius rod to hub carrier. Remove bolt mounting opposite end of radius rod to body bracket.

Inspection – Inspect all radius rod bushings and grommets for damage or excessive wear. Replace parts found defective. Make sure radius rod adjusting bolt is not damaged

Rear Suspension

HONDA (Cont.)

Installation — To install, reverse removal procedure and note following: Check and adjust rear wheel alignment as required.

Installation — To install, reverse removal procedure and note following: Bleed brake system and check rear wheel alignment.

CONTROL ARM

Removal — Raise vehicle and place on safety stands. Remove wheel and brake drum. Remove brake hoses from shock absorber mounting, then plug openings. Remove brake backing plate. Remove bolt mounting shock absorber to hub carrier. Remove both inside and outside control arm pivot bolts. Pull out control arm.

Inspection — Inspect all control arm bushings for damage or excessive wear. Replace any parts found defective. Always replace bolt lock tabs.

TIGHTENING SPECIFICATIONS

Application	Ft. Lbs. (mkg)
Control Arm Outer Pivot Nut.....	54-65 (7.5-9.0)
Control Arm Inner Pivot Nut.....	25-36 (3.5-5.0)
Radius Rod-to-Hub Carrier.....	47-54 (6.5-7.5)
Radius Rod-to-Body	43-51 (6.0-7.0)
Backing Plate.....	14-18 (1.9-2.5)
Shock Absorber Lower Mounting Bolt	36-43 (5.0-6.0)