

AUDI FOX

Fox

DESCRIPTION

Audi Fox is front wheel drive with independent strut type front suspension. Axles are supported by lower control arms, vertically mounted strut assemblies, and a stabilizer bar. Strut assemblies consist of double action shock absorbers with coil springs mounted over the outside. The top part of strut is attached to the inner fender panel and the lower portion is attached directly to steering knuckle. Tie rods are connected to supports under coil springs. Stabilizer bar is connected to lower control arms at each end and to crossmember below engine.

ADJUSTMENT

WHEEL ALIGNMENT SPECIFICATIONS & PROCEDURES

See *Wheel Alignment Specifications & Procedures* in **WHEEL ALIGNMENT** Section.

WHEEL BEARING ADJUSTMENT

See *Wheel Bearing Adjustment* in **WHEEL ALIGNMENT** Section.

BALL JOINT CHECKING

See *Ball Joint Checking* in **WHEEL ALIGNMENT** Section.

REMOVAL & INSTALLATION

STRUT & COIL SPRING ASSEMBLY

Removal — Loosen axle nut and wheel lugs. Raise and support vehicle; remove wheel and tire. Remove brake hose clips, disconnect brake caliper and move out of way. Remove bolt securing steering knuckle to lower control arm. Using

suitable tool, remove tie rod end from mount under coil spring. Disconnect stabilizer bar from lower control arm and detach lower control arm from steering knuckle. Remove nuts securing upper portion of strut assembly to mount. Remove axle nut and pull assembly off drive axle.

Installation — To install, reverse removal procedure and note the following. When assembling ball joint to lower control arm always use a new bolt and nut. Coat threads with oil only and torque to specification.

LOWER CONTROL ARM

Removal — Remove strut and coil spring assembly. Remove bolts securing lower control arm to crossmember and remove lower control arm.

Installation — To install reverse removal procedure and tighten all nuts and bolts to specification.

TIGHTENING SPECIFICATIONS

Application	Ft. Lbs. (mkg)
Axle Nut	137 (19)
Lower Control Arm-to-Crossmember	33 (5)
Upper Strut Assembly-to-Body	16 (2.2)
Stabilizer Bar-to-Crossmember	7 (.9)
Lower Control Arm-to-Steering Knuckle	16 (2.2)
Piston Rod Nut	43 (6)
Brake Caliper-to-Steering Knuckle	43 (6)
Brake Disc Guard-to-Steering Knuckle	7 (.9)
Lower Control Arm	
Joint-to-Lower Control Arm	47 (7)
Stabilizer Bar-to-Lower Control Arm	7 (.9)

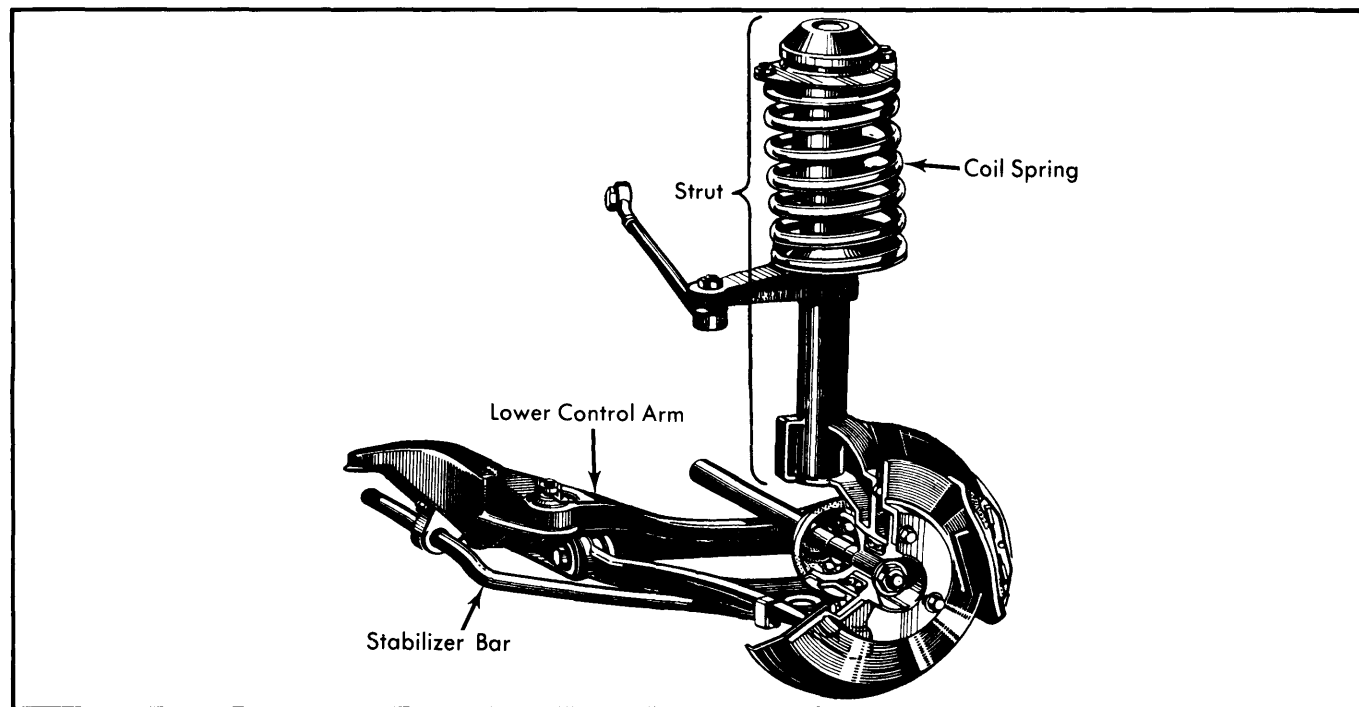


Fig. 1 Audi Fox Front Suspension Assembly