

CAPRI

Capri

DESCRIPTION

Steering column is a collapsible safety type. Steering wheel is mounted on a convoluted, collapsible can, which is designed to collapse under heavy impact. Can assembly is integral with steering wheel and is removed with wheel.

REMOVAL & INSTALLATION

STEERING COLUMN

NOTE — Steering column and steering column shaft are removed as a single unit.

Removal — Disconnect battery. Remove upper and lower coupling clamp bolts (mark shafts for installation alignment). Tap coupling shaft down to remove from steering column. Remove steering column shroud, steering wheel and turn signal cancelling cam. Lower trim panel and remove turn signal switch. Disconnect ignition switch wires at connector. Remove steering column retaining bolts, then remove steering column with steering column shaft and grommet.

Installation — To install, reverse removal procedure and note the following: wheels should be in straight ahead position, marks on splines are aligned and couplings are not distorted.

STEERING COLUMN SHAFT

NOTE — Steering column shaft is removed from steering column after steering column is removed from vehicle.

Removal — Remove steering wheel and steering column as previously outlined. Remove steering lock by drilling out headless bolts. Remove clip, washer and spring from lower end of steering column shaft. Tap lower end of shaft with soft mallet to remove upper bearing, then use shaft to tap lower bearing out of steering column.

Installation — Place shaft in column and install lower bearing, spring, washers and clip. Push lower bearing in place and install upper bearing. Install steering lock with shear head bolts, then use steering lock to align shaft in column. Install steering column and steering wheel as previously outlined.

OVERHAUL

STEERING COLUMN

Disassembly — Remove steering column lock and withdraw steering shaft from lower end of column. Remove lower bearing snap ring and retaining washer. Pull lower support bearing downward off shaft. Drive column upper bearing out from below, using steering shaft as driver. Remove shaft from upper end of column.

Assembly — Install new upper bearing and assemble new lower support bearing on shaft. Replace column lock and turn key to "IGN" position, then back to "OFF" (to ensure lock pin does not protrude into column). Insert shaft from lower end.

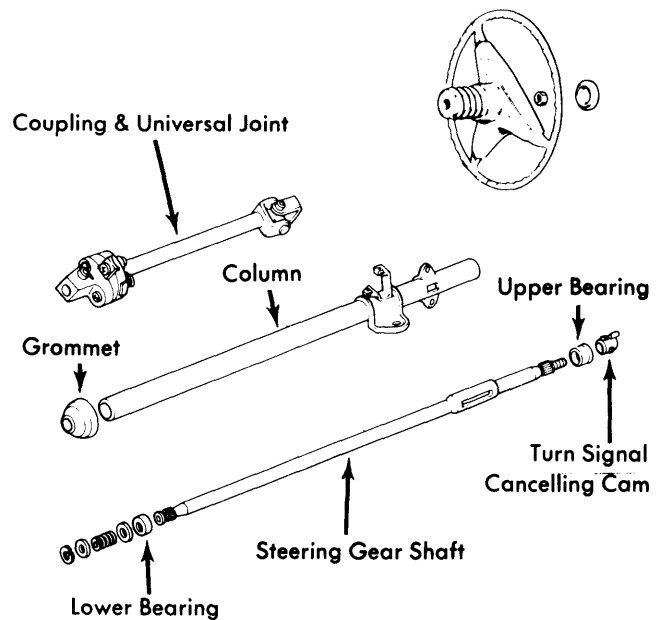


Fig. 1 Exploded View of Steering Column Assembly

TIGHTENING SPECIFICATIONS

Application	Ft. Lbs (mkg)
Steering Wheel Nut	25-30 (3.5-4.2)
Universal Joint-to-Shaft Spline	12-15 (1.7-2.1)