

Rear Suspension

VOLKSWAGEN RABBIT & SCIROCCO

Rabbit
Scirocco

REMOVAL & INSTALLATION

DESCRIPTION

Rear suspension is a link type with coil springs and using control arms and torsion beam for stabilization. Control arm and torsion beam are combined as one unit. Hydraulic shock absorbers are mounted inside coil springs and attached to control arm at the bottom and to vehicle body at the top.

SUSPENSION ASSEMBLY

Removal — Raise vehicle and support at body with safety stands. Disconnect parking brake cable from parking brake lever. Disconnect both rear brake lines from hoses. Remove shock absorber-to-body attaching nut. Remove rear axle-to-body attaching bolts and withdraw axle from vehicle.

Installation — To install, reverse removal procedures and tighten all nuts and bolts. Bleed brake system.

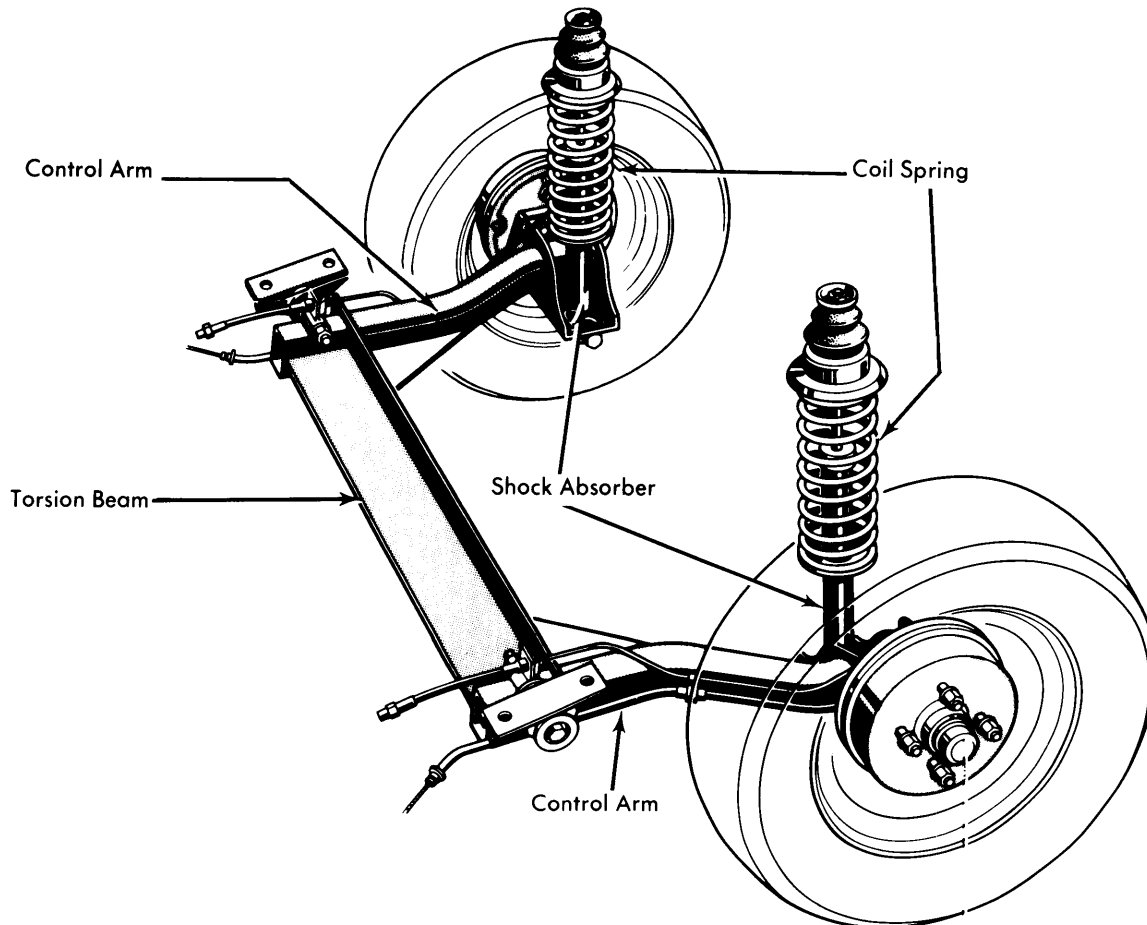


Fig. 1 Rabbit & Scirocco Rear Suspension Assembly