

## TRIUMPH TR6

TR6

## DESCRIPTION

The steering column is composed of three sections: a main steering shaft upper portion, a lower portion (which compresses into the upper section on impact), and an intermediate shaft (which joins the main shaft to the pinion gear).

## REMOVAL &amp; INSTALLATION

## UPPER STEERING COLUMN

**Removal** — 1) Disconnect plug-in connectors for lights, horn, flasher, ignition, and starter circuits. Remove steering wheel and speedometer. Remove pinch bolt securing lower steering column to flexible coupling.

2) Remove two set crews securing steering column safety clamp, and withdraw clamp. Unscrew two bolts retaining forward end of anti-torque strap to column clamp. Detach domed protection covers from steering column bracket bolts.

3) Remove two bolts securing column bracket halves. Withdraw wiring harness cover. Detach anti-torque strap and upper half of bracket. Rotate steering column to bring shear bolts of steering lock/ignition switch to an accessible position; then, remove shear bolts. Withdraw steering lock/ignition switch assembly. Remove steering column.

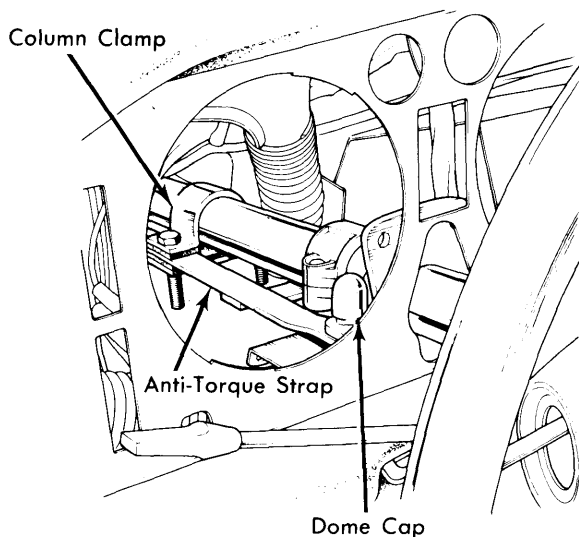


Fig. 1 Disconnect Hardware Shown and Remove Torque Strap

**Installation** — 1) Position steering column in vehicle. Place steering lock/ignition switch on column, and ensure spacer ring is above switch assembly. Install lock/switch clamp and secure with new shear bolts.

2) Check that steering column and gear are in central position and engage column splines with flexible coupling. Ensure steel tubular spacer, bullet washer, and plastic washer are positioned on lower mast. Install and tighten pinch bolt.

3) Attach harness cover to steering column. Engage anti-torque strap on underside of column upper bracket. Insert felt strip in lower half of bracket. Position spring clip and upper half of column bracket, and secure with bolts and nuts. Note that left hand bolt is inserted from below the bracket and right hand bolt from above the bracket. Install domed caps on bracket nuts.

4) Align slot in upper mast with flat on lower mast. Slide plastic washer upward until in contact with column housing. Fit and secure safety clamp between bullet washer and plastic washer. Reconnect all electrical couplers and wiring. Install two bolts securing front of anti-torque straps to bracket. Replace speedometer.

## LOWER STEERING COLUMN

**Removal** — Remove pinch bolt securing lower end of intermediate shaft to universal joint. Remove pinch bolt attaching flexible coupling yoke to lower steering column. Slacken lock nut and grub screw on safety clamp. Detach intermediate shaft from universal joint and withdraw intermediate shaft with flexible coupling. Remove tubular spacer and bullet from lower steering column. Remove lower steering column.

**Installation** — 1) Enter lower steering column into upper column, aligning machined flat of lower column with cutaway portion in upper column. Place safety clamp and securing bolt in position, but do not tighten. Ensure plastic washer is in place between upper face of safety clamp and bottom of steering column housing.

2) Slide bullet, tapered face trailing, and tubular spacer over the lower column. Align flat on lower end of intermediate shaft with pinch bolt location in universal joint. Position universal joint pinch bolt, but do not tighten. With light pressure on steering wheel to prevent lift of upper column, slide intermediate shaft upward to eliminate axial movement of tubular spacer and bullet. Tighten pinch bolts, safety clamp bolts, grub screw, and lock nut.

## INTERMEDIATE SHAFT

**Removal** — Set front wheels in straight-ahead position. Scribe lower end of intermediate shaft on universal joint, to ensure correct relocation. Remove pinch bolt from lower universal joint. Remove locking wire and two bolts securing intermediate shaft to flexible coupling. Withdraw intermediate shaft.

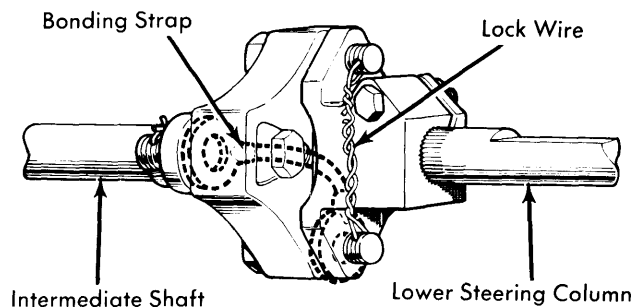


Fig. 2 Flexible Coupling Between Intermediate Shaft and Lower Steering Column

## TRIUMPH TR6 (Cont.)

**Installation** — To install, insert intermediate shaft in lower universal joint, aligning scribe mark. Position shaft to flexible coupling and install locking wire and retaining bolts. Tighten lower pinch bolt.

2) Slide column downward until stop is felt. Depress dowels locating column lower bushing, to release bushing. Pull column downward and withdraw complete with lower bushing. Remove bushing from column.

### OVERHAUL

#### UPPER STEERING COLUMN

**Disassembly** — 1) Remove steering column assembly from vehicle. Detach steering wheel. Remove turn signal clip from steering column. Untape end cover from lower end of column housing and withdraw end cover.

**Assembly** — Enter column from lower end of housing. Fit lower bushing to column with rubber dots on bushing facing downward. Align and engage dowels with holes in column housing. Position end cover and attach with tape. Replace turn signal clip. Install column in vehicle and replace steering wheel.

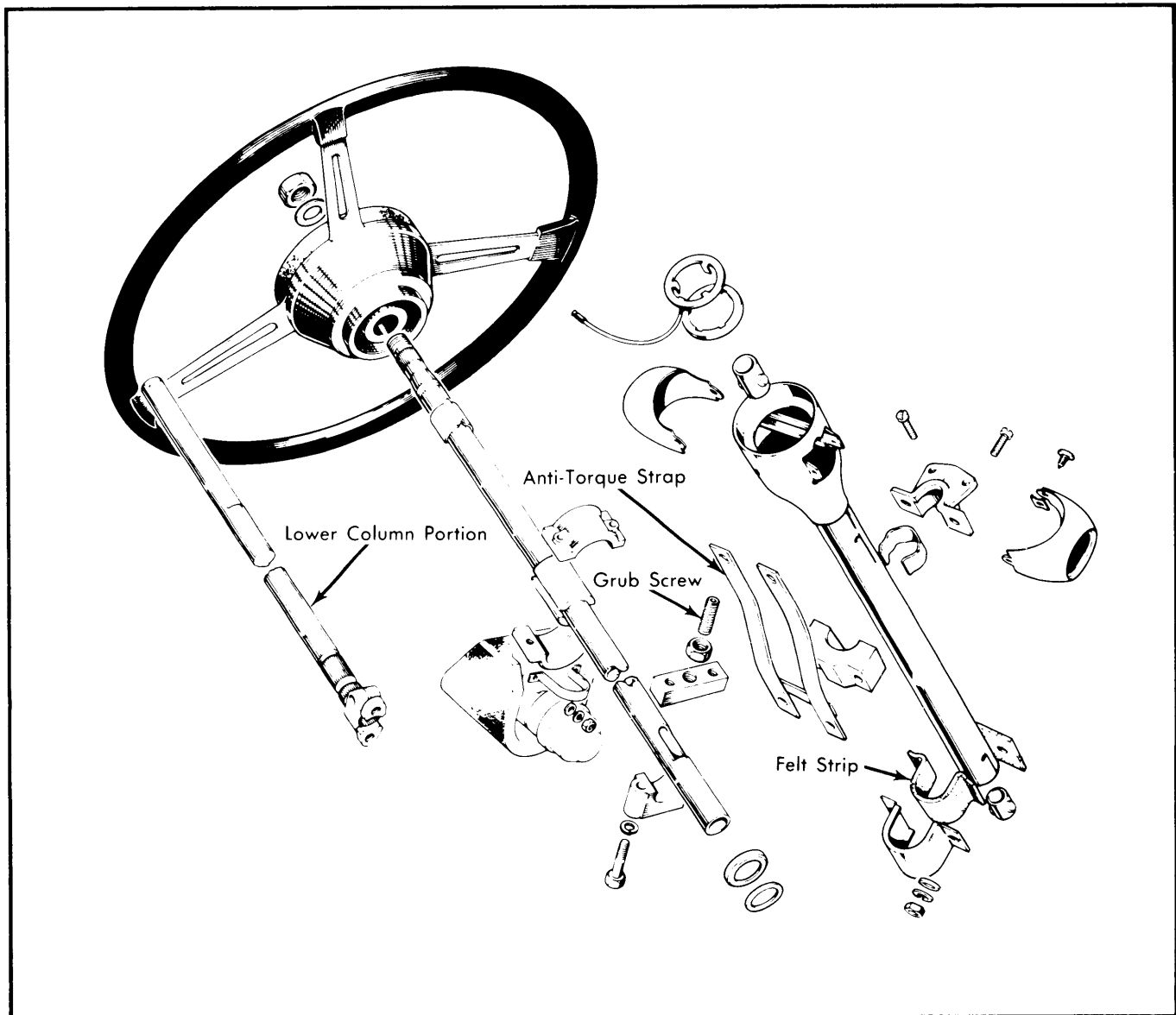


Fig. 3 Disassembled View of TR6 Steering Column