

# Steering Columns

## TOYOTA, EXC. COROLLA & LAND CRUISER

Celica  
Corona  
Corona Mk II  
Hi Lux Pickup

### DESCRIPTION

Vehicles incorporate energy absorbing steering columns which collapse on impact. The steering mainshaft telescopes inward while the column tube compacts around an expanded metal section. The mainshaft is connected to the gear through a flexible coupling. Column is mounted to the instrument panel on a break-away bracket.

### REMOVAL & INSTALLATION

**NOTE** — Removal and installation procedures are of a general nature and can be used for all models.

**Removal** — 1) Loosen pinch bolt (Fig. 1) attaching coupling yoke to worm shaft. Index mark coupling yoke and worm shaft. Loosen steering wheel nut and using a puller, remove steering wheel. For additional information, See *Steering Wheel and Column Switches* in **STEERING** Section.

2) Disconnect wiring harness for ignition switch, turn signal, horn, and headlight dimmer switch at plug-in connector under instrument panel. Remove turn signal switch. Unscrew column floor cover bolts. Detach lower instrument panel protective cover (plastic), if necessary. Remove bolts mounting break-away bracket. Withdraw column assembly toward inside of passenger compartment.

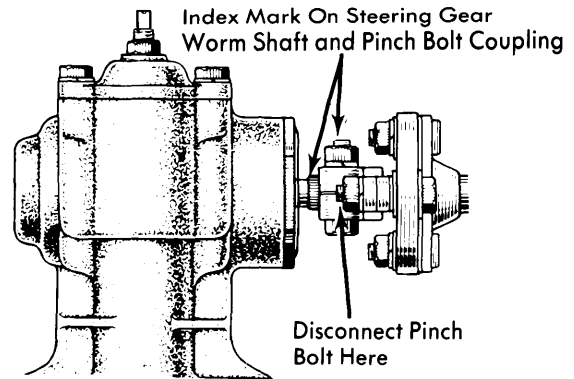


Fig. 1 Pinch Bolt Disconnection Point and Index Marking

**Installation** — 1) Insert steering column through column hole from inside of vehicle, align coupling yoke on steering worm, and tighten pinch bolt. **NOTE** — Yoke and worm are in proper alignment when yoke bolt hole is aligned with cut-away portion of worm spline.

2) Coat break-away bracket center portion with suitable weatherstrip adhesive. Finger tighten break-away bracket bolts. Tighten column hole cover bolts and break-away bracket nuts, then insert and tighten center bracket retaining bolt.

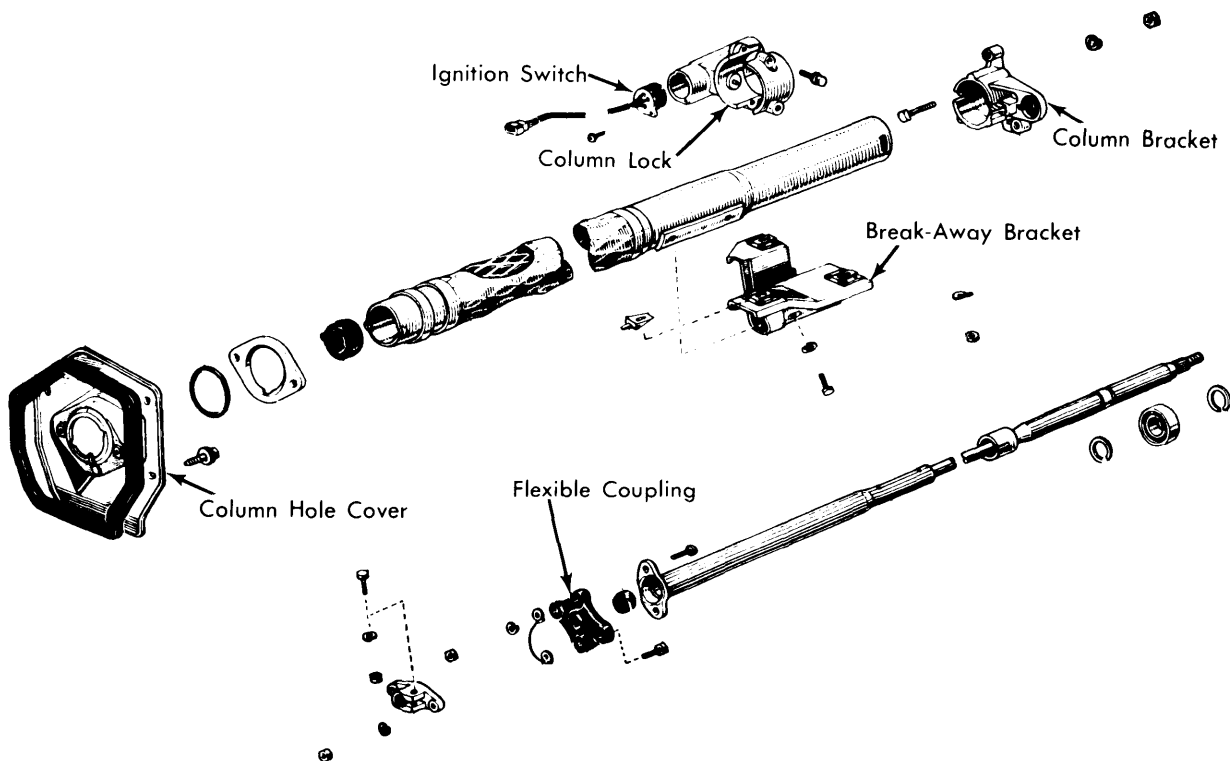


Fig. 2 Toyota Energy Absorbing Steering Column (All Models Similar)