

Steering Columns

MAZDA

RX4
RX3
808

DESCRIPTION

The steering column is a safety, collapsible type which is designed to compress on impact and absorb the collision shock. On RX4 models, a flexible coupling is used to connect the steering column shaft to steering gear and to absorb road vibrations. On RX3 and 808 models, the steering column is bolted directly to the steering gear housing.

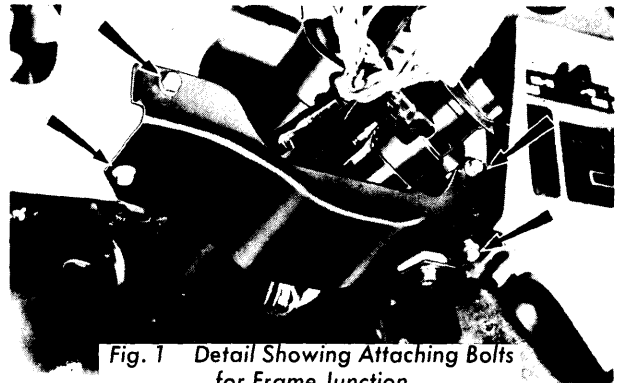


Fig. 1 Detail Showing Attaching Bolts for Frame Junction

REMOVAL & INSTALLATION

RX4 — Remove bolt and clamp securing the flexible coupling yoke to the column shaft. Remove the steering wheel. See Mazda under *STEERING WHEEL & COLUMN SWITCHES* in this section. Detach column covers. Unscrew bolts attaching instrument frame junction (see illustration), and remove junction. Remove steering lock assembly. Unscrew nuts at column support clamp. Withdraw steering column toward interior of vehicle. To install, reverse removal procedure.

RX3 & 808 — Steering column and steering column shaft are removed together with steering gear assembly. See Mazda under *STEERING WHEEL & COLUMN SWITCHES* and *STEERING GEARS & LINKAGE* in this section.

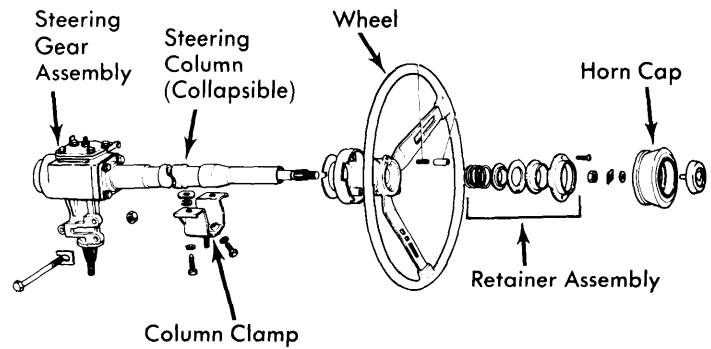


Fig. 2 Exploded View of RX3 & 808 Steering Column Assembly

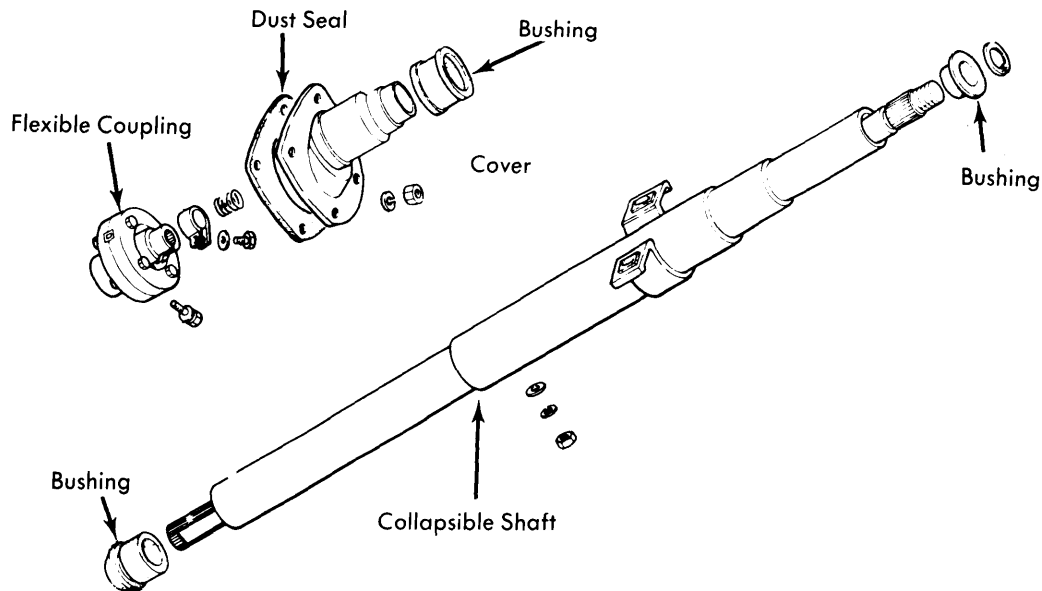


Fig. 3 Exploded View of RX4 Steering Column Assembly