

## ALFA ROMEO

2000

### DESCRIPTION

These models use a link type rear suspension with coil springs. Axle tubes are connected to body by one "T" shaped upper control arm. Coil springs are mounted between lower control arms and body. Hydraulic shock absorbers are mounted inside of coil springs. A stabilizer bar is mounted to body and connected to lower control arm mounts (at axle) by links. A rubber pad is mounted to body to stop upward movement of rear axle. Rebound straps are mounted around axle ends to stop downward motion of axle.

### REMOVAL & INSTALLATION

#### RUBBER PADS & REBOUND STRAPS

**Removal** — Raise vehicle and place safety stands under body. Place jack under rear axle and raise slightly to take load off rebound straps. Remove bolts securing pads and straps to body and remove from vehicle.

**Installation** — Reverse removal procedure for installation making sure pads and straps are in same position as when removed.

#### SHOCK ABSORBERS

**Removal** — Disconnect lower shock absorber mount at lower control arm. Collapse shock absorber. Remove upper mounting nut accessible from inside luggage compartment. Remove upper portion of rear seat for easy removal.

**Installation** — Inspect mounting pads and replace if necessary. Reverse removal procedure for installation.

#### UPPER CONTROL ARM

**Removal** — Raise vehicle and place safety stands under body. Remove wheels and tires. Remove rear portion of tailpipe. Remove bolts securing bushings to body on both sides. Remove nut from upper control arm pivot shaft at differential and slide control arm off. Swing control arm down to remove.

**Installation** — Check rubber body pad mounts and rubber bushings for wear and replace as necessary. If bushings are defective press out of control arm using a suitable mandrel (A.3.0163). Drive bushing into control arm using a suitable driver (A.3.0164). Reverse removal procedure for installation. With control arm installed in vehicle, check distance between rubber bushings seat and plastic washer on control arm. Distance should be no more than .04". Install shims to obtain correct clearance.

#### COIL SPRINGS

**Removal** — Raise vehicle and place safety stand under axle. Remove wheel and tire. Install a suitable holding tool

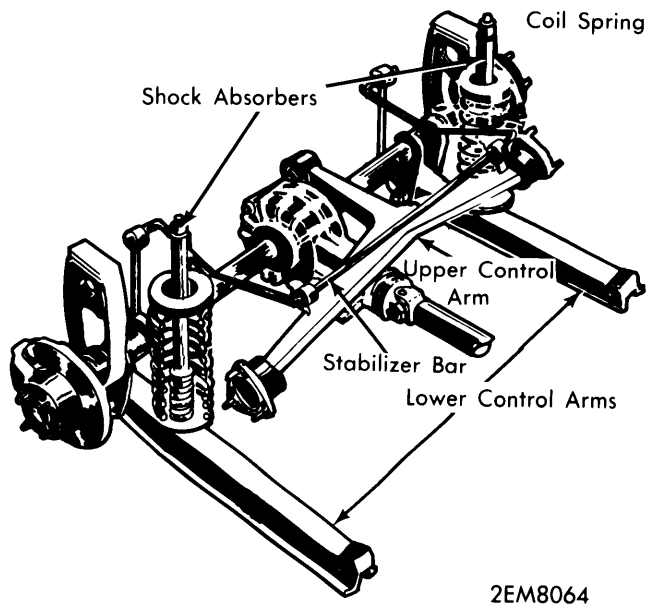
(A.2.0143) to lower control arm and axle tube. Remove lower shock absorber mount and push up on shock absorber to end of stroke. Remove rebound strap as previously outlined. Remove rear control arm pivot bolt at axle, release holding tool slowly and remove coil spring when control arm is completely down.

**Installation** — Reverse removal procedure for installation. Tighten pivot bolt nut to specification.

#### LOWER CONTROL ARMS

**Removal** — Remove coil spring as previously outlined. Remove front control arm pivot bolt and remove control arm from vehicle. If bushings are defective press out using a suitable mandrel (A.3.0211).

**Installation** — Use same tool to press in bushings. Reverse removal procedure for installation. Tighten pivot bolt nuts to specifications.



ALFA ROMEO REAR SUSPENSION COMPONENTS

### TIGHTENING SPECIFICATIONS

| Application                     | Ft. Lbs. (mkg)   |
|---------------------------------|------------------|
| Lower Control Arm Front         |                  |
| Pivot Bolt Nuts .....           | 72-83 (9.9-11.4) |
| Lower Control Arm Rear          |                  |
| Pivot Bolt Nut .....            | 83-94 (11.4-13)  |
| Upper Control Arm-to-Body ..... | 35-40 (4.8-5.5)  |
| Upper Control Arm-to-Axle ..... | 80-108 (11-14.9) |