

AUDI RACK & PINION

100 Fox

NOTE — Audi 100 models may also be equipped with Power Assisted Rack and Pinion steering (optional equipment). See Audi 100 under POWER STEERING in this section.

ADJUSTMENT

100

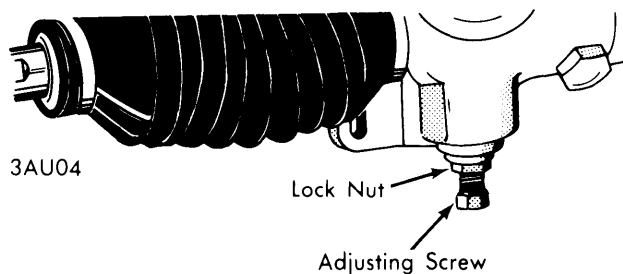
If adjustment is required, due to excessive play in steering, turn back lock nut on bottom of steering gear. Tighten adjusting screw (not more than 10.5 Inch lbs.) until rack can slide easily over entire length of turn area, but without play. Retighten lock nut and seal with paint. *NOTE* — Do not allow gear to be turned with force to stops or damage will result.

FOX

With Adjusting Screw — On models which have an adjusting screw in the gear cover plate, free play adjustment may be made using this screw. Loosen lock nut and tighten screw until it touches thrust washer. Tighten lock nut. *NOTE* — Should this adjustment not eliminate free play, make further adjustment as described in the following paragraph.

Without Adjusting Screw — Free play adjustment for vehicles without an adjusting screw in the gear cover plate may be made as follows: Remove shim pack from beneath cover plate. Measure total thickness of shim pack, then reduce shim pack thickness by .002" (.05 mm) by removing one shim. Replace remaining shim pack and check steering for proper movement by turning steering from lock to lock. Smooth movement without free play should be felt. Repeat adjustment if necessary (remove an additional shim).

CAUTION — Do not turn gear hard against either lock when vehicle is raised off ground or damage may result.



GEAR ADJUSTING POINT (100)

REMOVAL & INSTALLATION

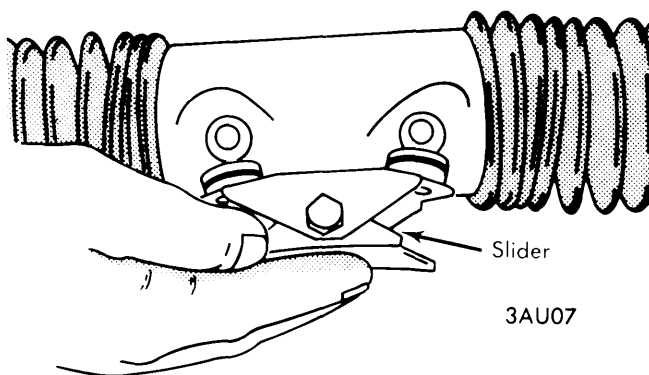
STEERING GEAR

Removal (100) — Loosen column boot and disconnect steering column at gear pinion. Pry track rods out of steering knuckle. Unbolt gear assembly from mountings and pull assembly to right, then up and out of engine compartment. Unscrew track rod. Ball joints may be replaced, if necessary. On vehicle without steering dampers, a stop ring, located on right side of gear housing, is replaceable.

Installation — To install, reverse removal procedure, then adjust toe-in.

Removal (Fox) — After removing both tie rod mounting bolts from rack, pry tie rods off steering gear. Remove lower instrument panel trim. Loosen bottom steering column mounting bolt and pry off clip. Drive bottom of column off gear, using a brass mandrel. Remove gear mounting bolts from body. Turn front wheels to right lock and remove steering gear through opening in right wheel well.

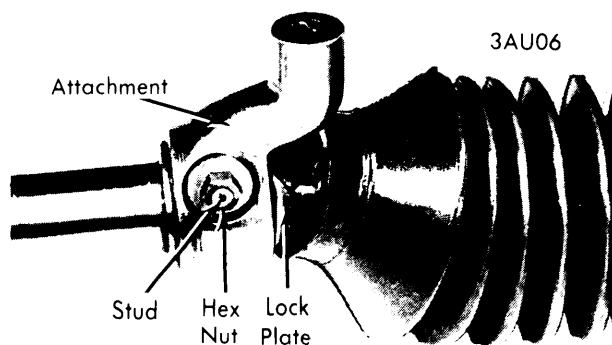
Installation — Before installing steering gear in vehicle, install the slider (in which both sealing sleeves are welded into the cup — see illustration). Install steering gear. To facilitate installation of tie rods, remove one bolt from the slider, install tie rod, and reinstall bolt. Repeat procedure for other tie rod. After tightening bolts, secure with lock plate.



REPLACING SLIDER

STEERING DAMPER (100)

NOTE — Replacement of steering damper is the only service procedure recommended. Do not attempt repairs on this unit.

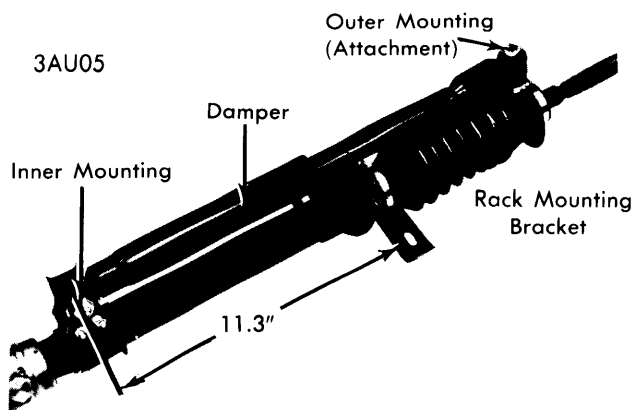


DAMPER ATTACHMENT

Removal — Unscrew and remove steering damper retaining bolts from both ends of unit. Remove large hose clamp from outer end of rack rubber boot and smaller clip from around damper mounting. Pull boot back from end of rack, away from damper attachment. Bend open lock plate on inside of attachment and unscrew track rod. Unscrew hex nut from side of attachment, pull out center stud, and remove attachment piece.

Steering Gears & Linkage

AUDI RACK & PINION (Cont.)

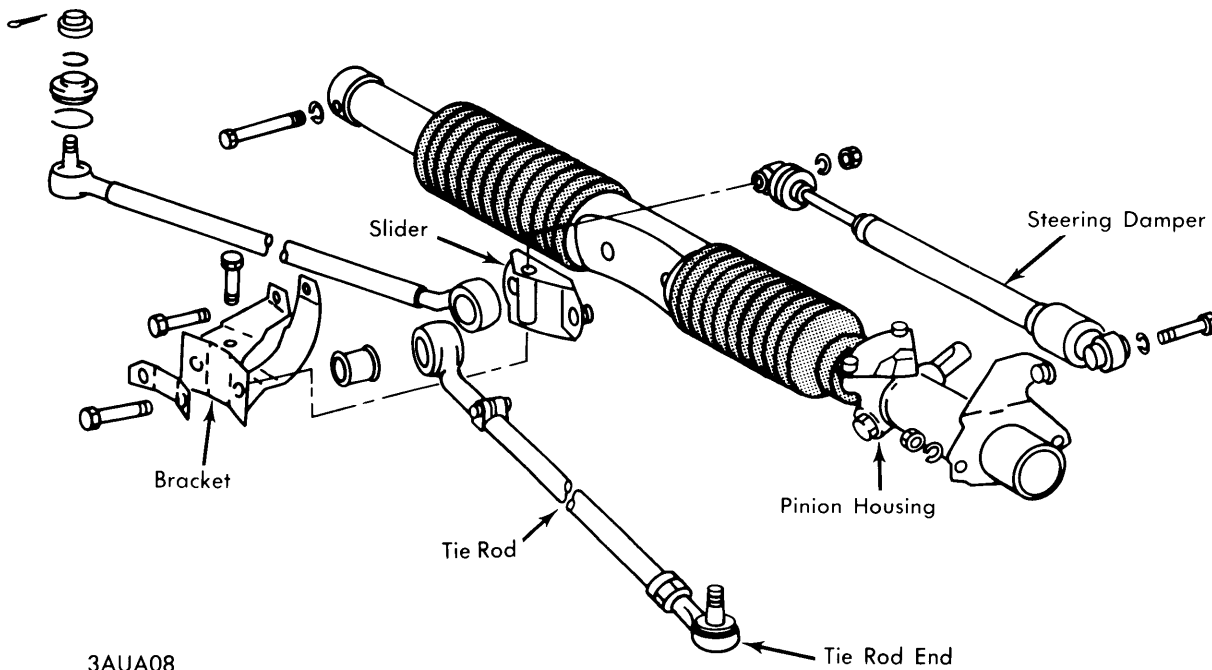


STEERING DAMPER INSTALLED (100)

Installation – When reinstalling, first place boot over track rod and attachment. Slide attachment onto track rod, aligning hole for stud with groove in track rod. Insert stud, attach and tighten hex nut. When damper is installed, distance from center of outer rack mounting bracket to center of inner damper mounting bracket should be 11.3" (287 mm).

OVERHAUL

NOTE – Manufacturer does not recommend overhaul of this rack and pinion steering unit. If unit is determined defective, replace as assembly.



AUDI FOX RACK & PINION ASSEMBLY W/LINKAGE