

Steering Columns

MAZDA RX4

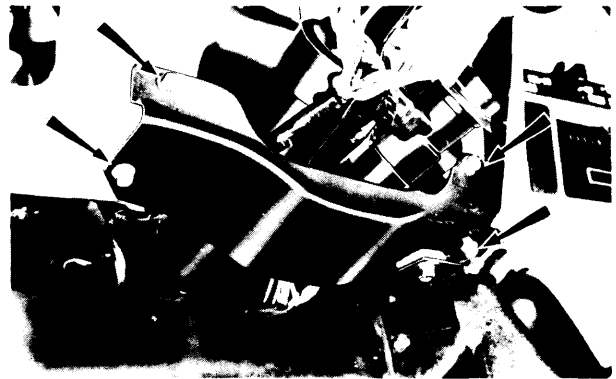
RX4

DESCRIPTION

The steering column used on this vehicle is a safety, collapsible type which is designed to compress on impact and absorb the collision shock. At the lower end of the column, a flexible rubber coupling is used to absorb road vibrations.

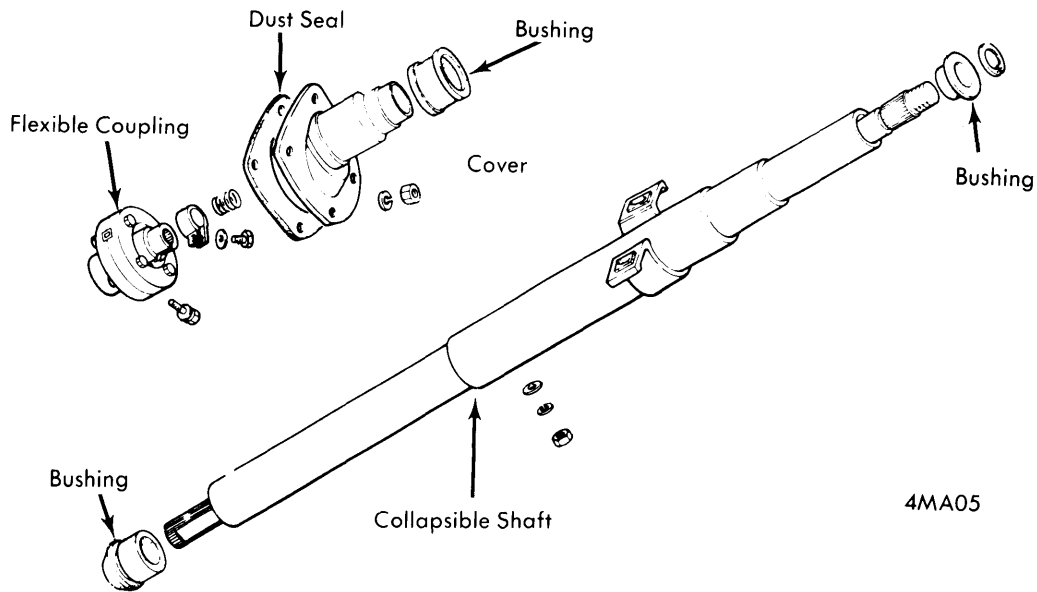
REMOVAL & INSTALLATION

Remove bolt and clamp securing the flexible coupling yoke to the column shaft. Remove the steering wheel. See *Mazda under STEERING WHEEL & COLUMN SWITCHES* in this section. Detach column covers. Unscrew bolts attaching instrument frame junction (see illustration), and remove junction. Remove steering lock assembly. Unscrew nuts at column support clamp. Withdraw steering column toward interior of vehicle. To install, reverse removal procedure.



4MA06

REMOVING FRAME JUNCTION



4MA05

STEERING COLUMN & COMPONENTS (RX4)