

Front Suspension

1973 AUDI FOX

Fox (1973)

DESCRIPTION

Audi Fox is front wheel drive with independent strut type front suspension. Axles are supported by lower control arms, vertically mounted strut assemblies, and a stabilizer bar. Strut assemblies consist of double action shock absorbers with coil springs mounted over the outside. The top part of strut is attached to the inner fender panel and the lower portion is attached directly to steering knuckle. Tie rods are connected to supports under coil springs. Stabilizer bar is connected to lower control arms at each end and to crossmember below engine.

ADJUSTMENT

WHEEL ALIGNMENT SPECIFICATIONS & PROCEDURES

See *Wheel Alignment Specifications & Procedures* in *WHEEL ALIGNMENT* Section.

WHEEL BEARING ADJUSTMENT

See *Wheel Bearing Adjustment* in *WHEEL ALIGNMENT* Section.

BALL JOINT CHECKING

See *Ball Joint Checking* in *WHEEL ALIGNMENT* Section.

REMOVAL & INSTALLATION

STRUT & COIL SPRING ASSEMBLY

Removal — Loosen axle nut and wheel bolts. Raise and support vehicle and remove wheel and tire. Remove brake hose clips and disconnect brake caliper. Remove bolt securing steering knuckle to lower control arm. Using suitable tool, remove tie rod end from mount under coil spring. Disconnect stabilizer bar from lower control arm and detach lower control arm from

steering knuckle. Remove axle nut and pull assembly off of drive axle. Remove nuts securing upper portion of strut assembly and remove from vehicle.

Installation — To install, reverse removal procedure and note the following. When assembling ball joint to lower control arm always use a new bolt and nut. Coat threads with oil only and torque to specification.

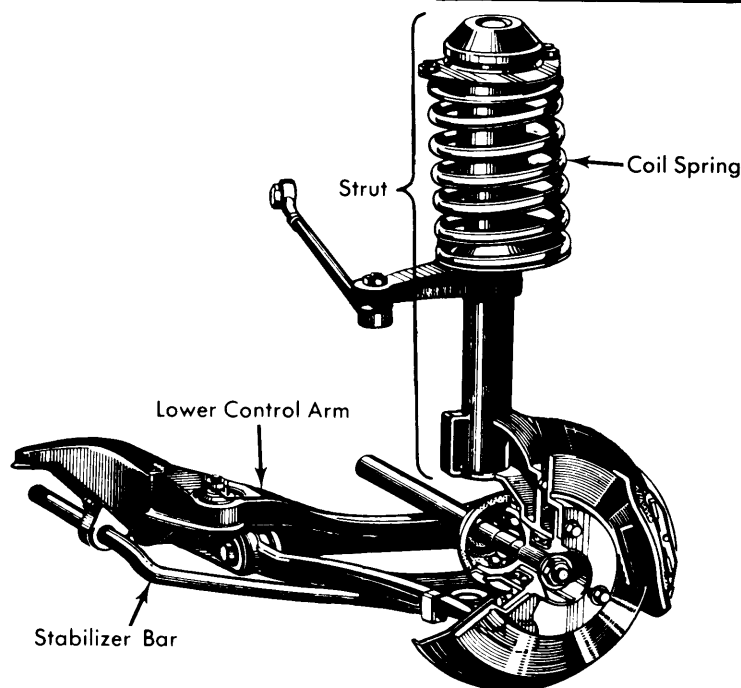
LOWER CONTROL ARM

Removal — Remove strut and coil spring assembly. Remove bolts securing lower control arm to crossmember and remove lower control arm.

Installation — To install reverse removal procedure and tighten all nuts and bolts to specification.

TIGHTENING SPECIFICATIONS

Application	Ft. Lbs. (mkg)
Axle Nut.....	180 (25)
Lower Control Arm-to-Crossmember.....	33 (4.6)
Upper Strut Assembly-to-Body.....	16 (2.2)
Stabilizer Bar-to-Crossmember.....	7 (1)
Lower Control Arm-to-Steering	
Knuckle.....	16 (2.2)
Piston Rod Nut.....	43 (5.9)
Brake Caliper-to-Steering	
Knuckle.....	43 (5.9)
Brake Disc Wheel Hub.....	5 (.7)
Brake Disc Guard-to-Steering	
Knuckle.....	7 (1)
Lower Control Arm	
Joint-to-Lower Control Arm.....	47 (6.5)
Stabilizer Bar-to-Lower	
Control Arm.....	7 (1)



3AU1

AUDI FOX FRONT SUSPENSION ASSEMBLY