

Steering Wheel Removal

10-19

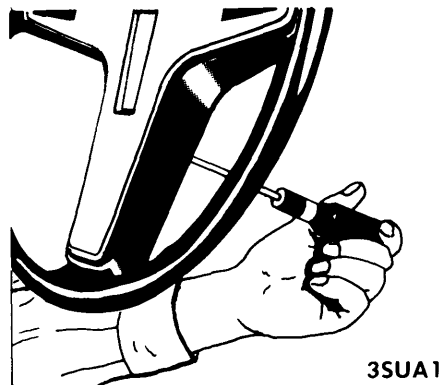
1972-73 SUBARU

All Models (1972-73)

HORN CONTROL & STEERING WHEEL

1) Disconnect battery. Disconnect horn, turn signal, ignition-starter switch, and dimmer switch wires from wiring harness connectors at lower side of instrument panel. Remove the three horn cover retaining screws (from underside of steering wheel) and remove cover to expose horn control.

2) Mark steering wheel and shaft for reassembly reference. Using a suitable puller, remove steering wheel from shaft. To install, reverse removal procedure and note the following: After steering wheel is installed, check clearance between steering wheel and column cover. If clearance exceeds .04-.12" (1.0-3.0 mm), loosen column cover screws and adjust cover.



3SUA1

REMOVING HORN PAD - SUBARU

1965-73 TOYOTA

All Models (1965-73)

HORN BUTTON & STEERING WHEEL

All, Exc. Hi Lux & Land Cruiser — Disconnect horn wiring and turn signal wiring harness at connector under instrument panel. Unscrew retaining screws from back side of steering wheel to remove horn button, or press horn button down and turn counterclockwise to remove. Detach horn wire connector. Extract horn spring, unscrew steering wheel retaining nut, and remove horn button seat. Mark position of steering wheel on shaft, then remove steering wheel using suitable puller (09609-20010).

Hi Lux — Disconnect wiring harnesses of ignition switch, turn signal, horn, and light dimmer switch from receptacle at lower side of instrument panel. Remove screws at back side of steering wheel and take off horn button. Unscrew steering wheel mounting nut and pull off steering wheel.

Land Cruiser — Remove three screws attaching steering wheel pad; remove pad. Loosen and remove steering wheel retaining nut. Using suitable puller, remove steering wheel.

TURN SIGNAL SWITCH

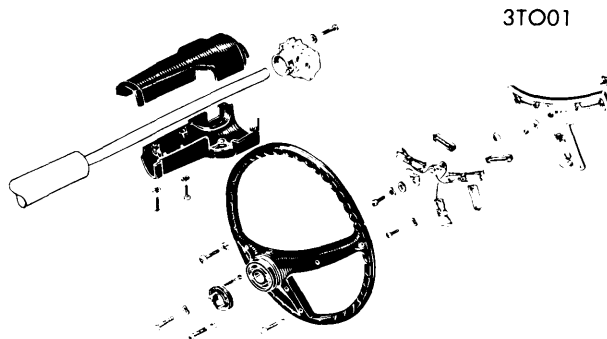
All, Exc. Corolla, Hi Lux & Land Cruiser — Remove five steering column cover attaching screws; remove cover halves. Remove turn signal switch retaining screws. Withdraw switch from ring housing. Remove column upper bracket shaft retain-

ing "E" ring and washer, then remove contact ring housing by loosening attaching nuts. Carefully loosen control shaft bushing.

Corolla — Disconnect turn signal wire harness at coupling under instrument panel. Position turn signal lever in right turn position and loosen switch retaining screw; remove switch.

Hi Lux — Remove steering wheel, as previously described. Remove column lower cover. Remove three Phillips screws from front of column and remove turn signal switch.

Land Cruiser — See appropriate article under *STEERING COLUMNS* in this section.



3TO01

STEERING WHEEL & COMPONENTS (TYPICAL)